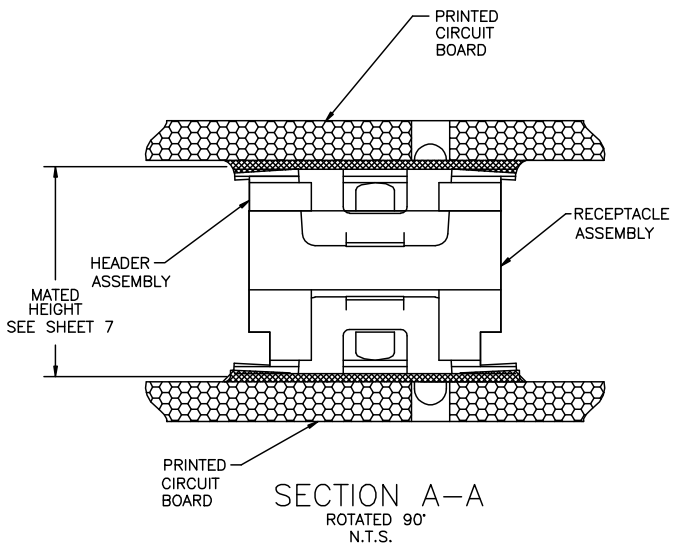
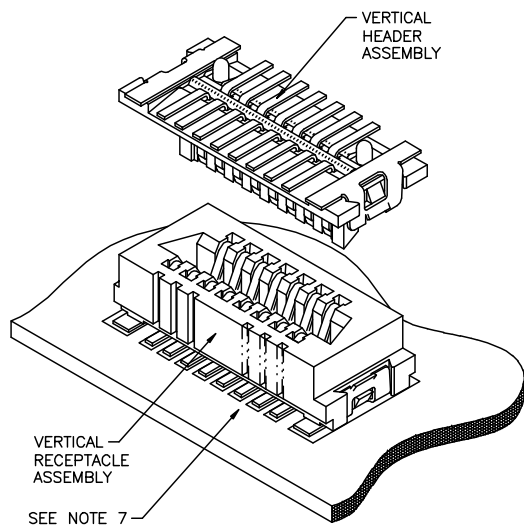
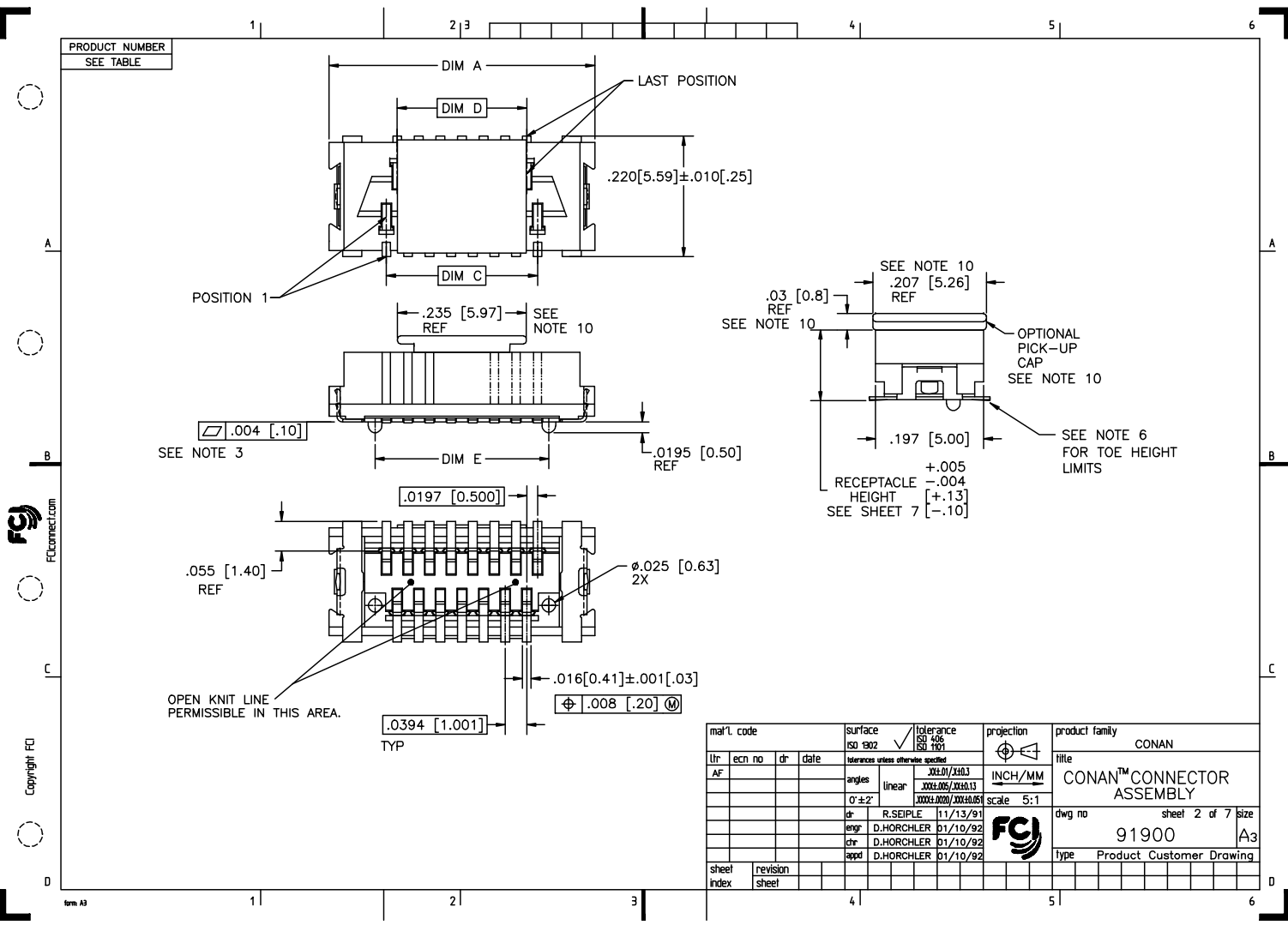


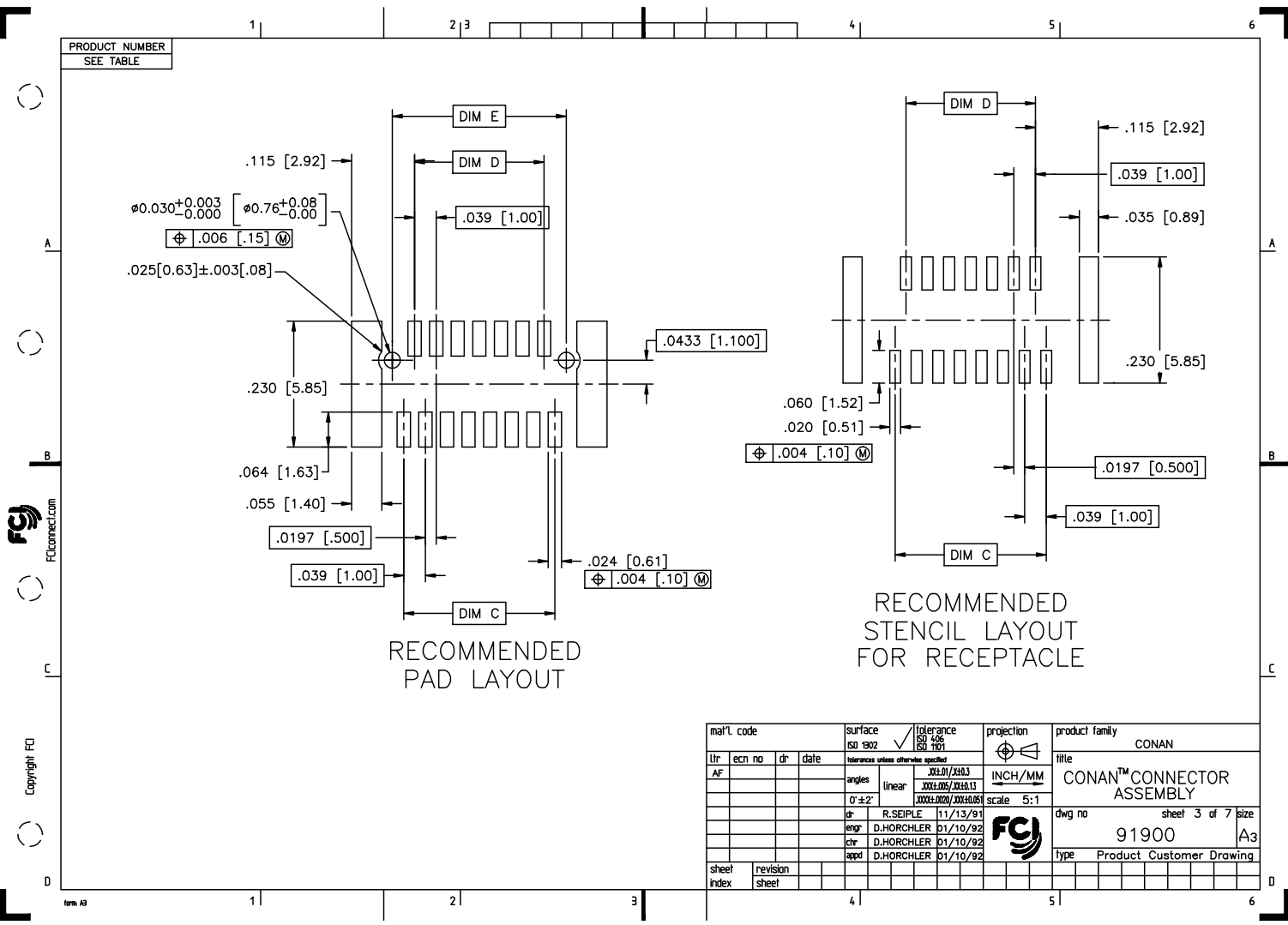
PRODUCT NUMBER
SEE TABLE



| | | | | | |
|-------------|----------|---------------------------------------|----------------------|------------------|---------------------------|
| mal'l. code | | surface | tolerance | projection | product family |
| | | ISO 1902 | ISO 1436 ISO 1101 | | CONAN |
| itr | | tolerances unless otherwise specified | | title | |
| ecn no | dr | date | angles | linear | INCH/MM |
| Y V03-1347 | AA | 12/20/01 | | XXXL01/XXXL03 | CONAN™ CONNECTOR ASSEMBLY |
| AA M04-0190 | MHT | 9/24/04 | | XXXL05/XXXL13 | |
| AB M05-0110 | MHT | 5/26/05 | 0°±2' | XXXL0200/XXXL051 | scale 5:1 |
| AC M06-0232 | AGS | 06/12/08 | dr | R.SEIPLE | 11/13/91 |
| AD M06-0373 | MHT | 9/26/06 | eng | D.HORCHLER | 01/10/92 |
| AE M08-0012 | AGS | 1/11/08 | chr | D.HORCHLER | 01/10/92 |
| AF M08-0287 | MHT | 10/02/08 | appd | D.HORCHLER | 01/10/92 |
| sheet | revision | AF | AF | AF | AF |
| index | sheet | 1 | 2 | 3 | 4 |
| | | | | | 5 |
| | | | | | 6 |
| | | | | | 7 |
| | | | | | 8 |
| | | | | | 9 |
| | | | | | 10 |
| | | | | | 11 |
| | | | | | 12 |
| | | | | | 13 |
| | | | | | 14 |
| | | | | | 15 |
| | | | | | 16 |
| | | | | | 17 |
| | | | | | 18 |
| | | | | | 19 |
| | | | | | 20 |
| | | | | | 21 |
| | | | | | 22 |
| | | | | | 23 |
| | | | | | 24 |
| | | | | | 25 |
| | | | | | 26 |
| | | | | | 27 |
| | | | | | 28 |
| | | | | | 29 |
| | | | | | 30 |
| | | | | | 31 |
| | | | | | 32 |
| | | | | | 33 |
| | | | | | 34 |
| | | | | | 35 |
| | | | | | 36 |
| | | | | | 37 |
| | | | | | 38 |
| | | | | | 39 |
| | | | | | 40 |
| | | | | | 41 |
| | | | | | 42 |
| | | | | | 43 |
| | | | | | 44 |
| | | | | | 45 |
| | | | | | 46 |
| | | | | | 47 |
| | | | | | 48 |
| | | | | | 49 |
| | | | | | 50 |
| | | | | | 51 |
| | | | | | 52 |
| | | | | | 53 |
| | | | | | 54 |
| | | | | | 55 |
| | | | | | 56 |
| | | | | | 57 |
| | | | | | 58 |
| | | | | | 59 |
| | | | | | 60 |
| | | | | | 61 |
| | | | | | 62 |
| | | | | | 63 |
| | | | | | 64 |
| | | | | | 65 |
| | | | | | 66 |
| | | | | | 67 |
| | | | | | 68 |
| | | | | | 69 |
| | | | | | 70 |
| | | | | | 71 |
| | | | | | 72 |
| | | | | | 73 |
| | | | | | 74 |
| | | | | | 75 |
| | | | | | 76 |
| | | | | | 77 |
| | | | | | 78 |
| | | | | | 79 |
| | | | | | 80 |
| | | | | | 81 |
| | | | | | 82 |
| | | | | | 83 |
| | | | | | 84 |
| | | | | | 85 |
| | | | | | 86 |
| | | | | | 87 |
| | | | | | 88 |
| | | | | | 89 |
| | | | | | 90 |
| | | | | | 91 |
| | | | | | 92 |
| | | | | | 93 |
| | | | | | 94 |
| | | | | | 95 |
| | | | | | 96 |
| | | | | | 97 |
| | | | | | 98 |
| | | | | | 99 |
| | | | | | 100 |



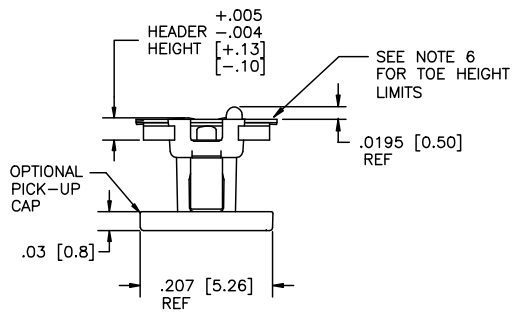
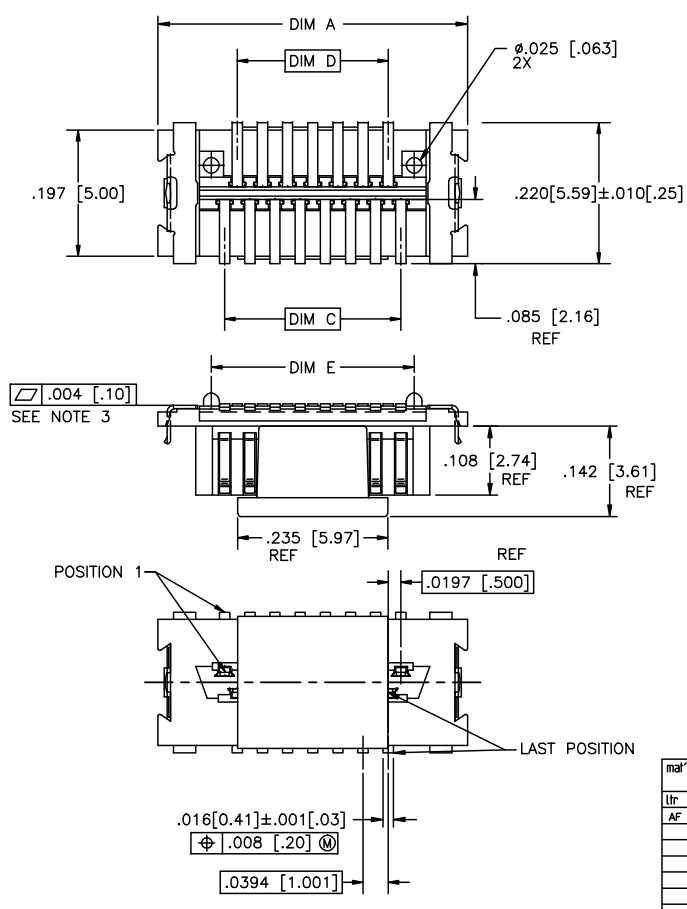
| | | | | | |
|---|--|--------------------------|---------------------|------------|---------------------------|
| mal't. code | | surface | tolerance | projection | product family |
| ISO 902 | | ISO 406 | ISO 1001 | CONAN | CONAN |
| Intolerances unless otherwise specified | | linear | | INCH/MM | title |
| angles | | XX±.01/XX±0.3 | | 5:1 | CONAN™ CONNECTOR ASSEMBLY |
| 0°±2' | | XXX±.005/XXX±0.13 | | scale | dwg no |
| | | XXXX±.000/XXXX±0.05 | | 5:1 | 91900 |
| sheet | | dr | R. SEIPLE 11/13/91 | | sheet 2 of 7 |
| revision | | engr | D.HORCHLER 01/10/92 | | size |
| index | | chr | D.HORCHLER 01/10/92 | | A3 |
| | | appd | D.HORCHLER 01/10/92 | | type |
| | | Product Customer Drawing | | | |



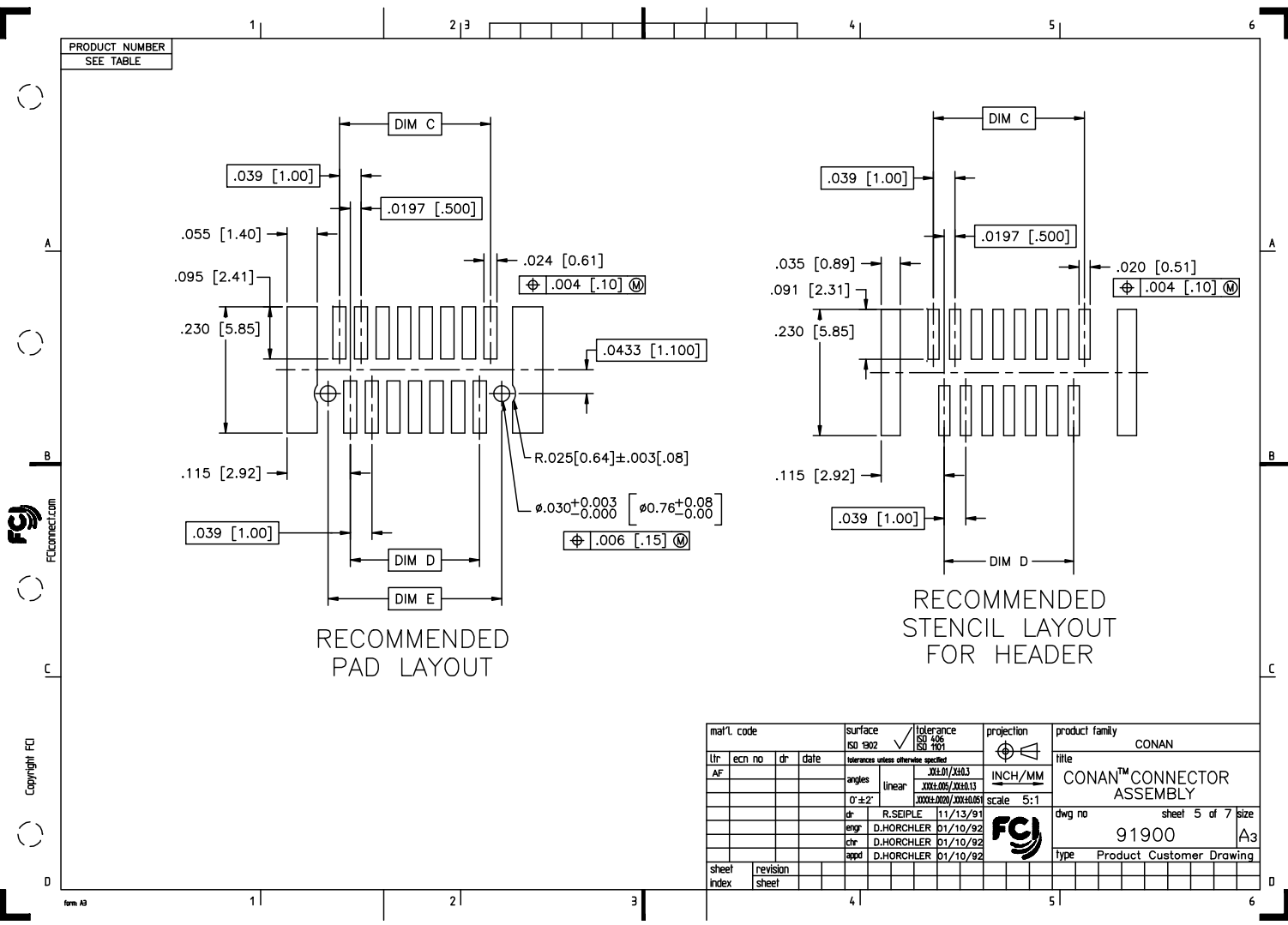
Copyright FCI
FCIconnect.com

| | | | | | | | | | |
|-------------------|--|---------------------|--|--|--|---------------------|--|---------------------------|--|
| mal't. code | | surface | | tolerance | | projection | | product family | |
| | | ISO 1902 | | ISO 1436 ISO 1001 | | 1st angle | | CONAN | |
| tr | | ecn no | | date | | INCH/MM | | title | |
| AF | | | | | | | | CONAN™ CONNECTOR ASSEMBLY | |
| angles | | linear | | XXL01/XX03 XXL05/XX013 XXX±000/XXX0.05 | | scale 5:1 | | dwg no | |
| 0°±2' | | | | | | | | sheet 3 of 7 | |
| dr | | eng | | chr | | app | | size | |
| R.SEIPLE 11/13/91 | | D.HORCHLER 01/10/92 | | D.HORCHLER 01/10/92 | | D.HORCHLER 01/10/92 | | A3 | |
| sheet | | revision | | sheet | | type | | Product Customer Drawing | |
| index | | | | | | | | | |

PRODUCT NUMBER
SEE TABLE



| | | | | | | | | | |
|-------------|--|---------------------------------------|----|---------------|-----------|----------------|---------------------------|--------------------------|--------------|
| mal'l. code | | surface | | ISO 1902 | tolerance | ISO 1436 | projection | product family | |
| lit | | ecn no | dr | date | ISO 1001 | | INCH/MM | CONAN | |
| AF | | tolerances unless otherwise specified | | | | | | title | |
| | | angles | | linear | | XXXL01/XXXL03 | CONAN™ CONNECTOR ASSEMBLY | | |
| | | 0°±2° | | XXXL05/XXXL13 | | XXXL000/XXXL06 | dwg no | | |
| | | dr | | R. SEIPLE | 11/13/91 | scale | 5:1 | | sheet 4 of 7 |
| | | engr | | D.HORCHLER | 01/10/92 | FCJ | | 91900 | |
| | | chr | | D.HORCHLER | 01/10/92 | | | A3 | |
| | | appd | | D.HORCHLER | 01/10/92 | | | type | |
| sheet | | revision | | | | | | Product Customer Drawing | |
| index | | sheet | | | | | | | |



PRODUCT NUMBER
SEE TABLE



Copyright FCI

| | | | | | | | | | |
|-------------|--|----------------|--|-----------|--|-----------------|--|-------------------------------|--|
| mal't. code | | surface | | tolerance | | projection | | product family | |
| ISO 1902 | | ISO 148 | | ISO 1001 | | 1st angle | | CONAN | |
| itr | | ecn no | | date | | INCH/MM | | title | |
| AF | | | | | | 5X1.01/XX1.03 | | CONAN™ CONNECTOR ASSEMBLY | |
| | | | | | | XXX1.05/XX1.13 | | dwg no | |
| | | | | | | XXX1.00/XXX1.06 | | 91900 | |
| | | | | | | scale 5:1 | | sheet 5 of 7 | |
| | | | | | | FCI | | size A3 | |
| | | | | | | | | type Product Customer Drawing | |
| sheet index | | revision sheet | | | | | | | |

| PRODUCT NUMBER | POS | DIM "A" | DIM "C" | DIM "D" | DIM "E" |
|----------------|-----|---------------|---------------|---------------|-----------------|
| 919TC-WXY09 | | | | | |
| ↑ -WXY09LF | 9 | .366 [9.30] | .157 [4.00] | .118 [3.00] | .1990 [5.055] |
| -WXY11 | 11 | .406 [10.30] | .197 [5.00] | .157 [4.00] | .2380 [6.045] |
| -WXY15 | 15 | .484 [12.30] | .276 [7.00] | .236 [6.00] | .3170 [8.052] |
| -WXY21 | 21 | .602 [15.30] | .394 [10.00] | .354 [9.00] | .4350 [11.049] |
| -WXY25 | 25 | .681 [17.30] | .472 [12.00] | .433 [11.00] | .5140 [13.056] |
| -WXY31 | 31 | .800 [20.30] | .591 [15.00] | .551 [14.00] | .6320 [16.053] |
| -WXY41 | 41 | .996 [25.30] | .787 [20.00] | .748 [19.00] | .8290 [21.057] |
| -WXY51 | 51 | 1.193 [30.30] | .984 [25.00] | .945 [24.00] | 1.0260 [26.060] |
| -WXY69 | 69 | 1.547 [39.30] | 1.339 [34.00] | 1.299 [33.00] | 1.3800 [35.052] |
| ↓ -WXY69LF | | | | | |

NOTES:

- MATERIALS:
 RECEPTACLE HOUSING - LCP, UL-94V-0. COLOR: NATURAL.
 RECEPTACLE TERMINALS - COPPER ALLOY, PLATED WITH 15u"/.38u GXT™ IN CONTACT AREA AND 100u"/2.54u Sn ON SOLDER LEGS WITH AN OVERALL 50u"/1.27u Ni UNDERPLATE.
 HEADER HOUSING - LCP, UL-94V-0. COLOR: NATURAL.
 HEADER TERMINALS - COPPER ALLOY, PLATED WITH 15u"/.38u GXT™ IN CONTACT AREA AND 100u"/2.54u Sn ON SOLDER LEGS WITH AN OVERALL 50u"/1.27u Ni UNDERPLATE.
 RETENTION DEVICE - BRASS, PLATED WITH 100u"/2.54u Sn OVER NICKEL.
- REFERENCE GS-12-006 FOR PRODUCT PERFORMANCE DATA.
- SEE TA-774 FOR FURTHER DESCRIPTION OF HOW THIS DIMENSION IS APPLIED.
- PICK AND PLACE CAP OR TAPE IS ONLY AVAILABLE WITH OPTION 3 PACKAGING. (PSA ADHESIVE SEALED). ALSO, PSA PACKAGING REQUIRES A PICK AND PLACE CAP.
- RECOMMENDED SOLDER PASTE THICKNESS IS .006 TO .008 INCHES THICK.
- THE TOE HEIGHT OF THE SOLDER TAIL SHALL BE MEASURED FROM THE LOWEST POINT OF THE .004 CO-PLANARITY GRAVITY PLANE. THIS MEASUREMENT IS NOT TO EXCEED A WINDOW OF .000 TO .007 INCHES.
- THREE SLOTS MAY BE LOCATED AT EITHER END OF HOUSING.
- 5.50mm MATED HEIGHT IS ONLY AVAILABLE IN 9, 15 AND 31 POS.
- 7.50mm MATED HEIGHT IS ONLY AVAILABLE IN 9 POS.
- APPLIES TO 91921-3XYZZ AND 91931-3XYZZ OPTIONS ONLY.
- THE HOUSING WILL WITHSTAND EXPOSURE TO 260°C PEAK TEMPERATURE FOR 30 SECONDS IN A CONVECTION INFRA RED OR VAPOR PHASE REFLOW OVEN. SEE APPLICATION/PROCEDURES IF THEY ARE AVAILABLE.
- PRODUCT WITH "LF" AT THE END MEETS EUROPEAN UNION DIRECTIVES AND OTHER COUNTRY REGULATION AS DESCRIBED IN GS-22-008.

| | | | | |
|-------------|----------|-----------|------------|---------------------------------------|
| mal'l. code | surface | tolerance | projection | product family |
| | ISO 1902 | ISO 406 | | CONAN |
| itr | ecr no | dr | date | tolerances unless otherwise specified |
| AF | | | | linear |
| | | | | angular |
| | | | | 0°±2' |
| | | | | linear |
| | | | | angular |
| | | | | 0°±2' |
| | | | | linear |
| | | | | angular |
| | | | | 0°±2' |
| sheet | revision | | | |
| index | sheet | | | |

| | |
|--------|---------------------------|
| title | CONAN™ CONNECTOR ASSEMBLY |
| dwg no | 91900 |
| sheet | 6 of 7 |
| size | A3 |
| type | Product Customer Drawing |

PRODUCT NUMBER
SEE TABLE

CONAN ASSEMBLY PART NUMBER

919 T C - W X Y ZZ LF

LEAD FREE OPTION
SEE NOTE 12

| TYPE | T |
|-------------------------|---|
| HEADER WITH NO PEGS | 0 |
| HEADER WITH PEGS | 1 |
| RECEPTACLE WITH NO PEGS | 2 |
| RECEPTACLE WITH PEGS | 3 |

| PICK AND PLACE CAP OR TAPE (NOTE 4) | C |
|-------------------------------------|---|
| WITHOUT CAP OR TAPE | 0 |
| WITH CAP | 1 |
| WITH TAPE (RECEPTACLE ONLY) | 2 |

| PACKAGING | W |
|-----------------------------|---|
| TUBE | 2 |
| PRESSURE SEALED TAPE & REEL | 3 |

NOTE 4

| Y | HEADER HEIGHT | RECEPTACLE HEIGHT | MATED HEIGHT | +0.010 -0.008 [+.25] [-.20] |
|---|---------------|-------------------|--------------|--------------------------------------|
| 1 | .034 [.86] | .129 [3.28] | .163 [4.15] | |
| 2 | .048 [1.23] | | .177 [4.50] | |
| 3 | .068 [1.73] | | .197 [5.00] | |
| 4 | .107 [2.72] | | .236 [6.00] | |
| 5 | .1465 [3.721] | | .276 [7.00] | |
| 6 | .088 [2.23] | | .216 [5.50] | |
| 7 | .1665 [4.229] | | .296 [7.52] | |

SEE Y=1
FOR ALL
RECEPTACLES

* NOTE 8
** NOTE 9

| X | PLATING |
|---|----------------|
| 1 | 15u"/.38u GXT™ |
| 2 | 30u"/.76u GXT™ |

| ZZ | NUMBER OF POSITIONS |
|----|---------------------|
| 09 | 9 |
| 11 | 11 |
| 15 | 15 |
| 21 | 21 |
| 25 | 25 |
| 31 | 31 |
| 41 | 41 |
| 51 | 51 |
| 69 | 69 |

EXAMPLE: 91921-31125LF
IS A CONAN RECEPTACLE ASSEMBLY,
HAVING NO PEGS AND WITH A PICK AND PLACE CAP.
IT ALSO HAS GXT™ PLATING, IS .13 [3.2] HIGH AND 25
POSITIONS AND IS PACKAGED IN PRESSURE SEALED TAPE,
REEL AND LEAD FREE.

| | | | | |
|-------------|--------------------|---|------------|------------------------------------|
| mal'l. code | surface ISO 902 | tolerance ISO 406 ISO 1001 | projection | product family CONAN |
| lfr | ecn no | dr | date | title CONAN™ CONNECTOR ASSEMBLY |
| AF | | | | dwg no 91900 |
| | angles | linear | INCH/MM | sheet 7 of 7 |
| | 0'±2' | XXX±.01/XXX±.03 XXX±.005/XXX±.013 XXX±.002/XXX±.005 | scale 5:1 | size A3 |
| | dr | R.SEIPLE | 11/13/91 | type Product Customer Drawing |
| | eng | D.HORCHLER | 01/10/92 | |
| | chr | D.HORCHLER | 01/10/92 | |
| | appd | D.HORCHLER | 01/10/92 | |
| sheet index | revision sheet | | | |