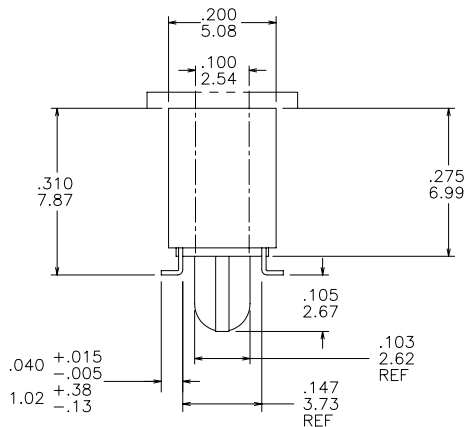
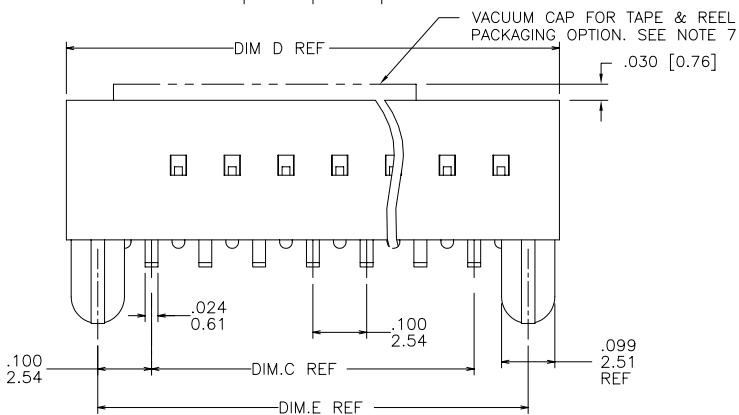
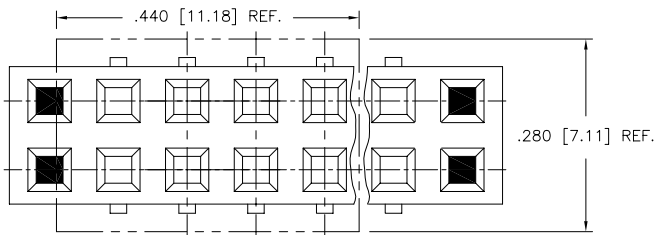


PRODUCT NO.

SEE TABLE

69154 - XXX LF

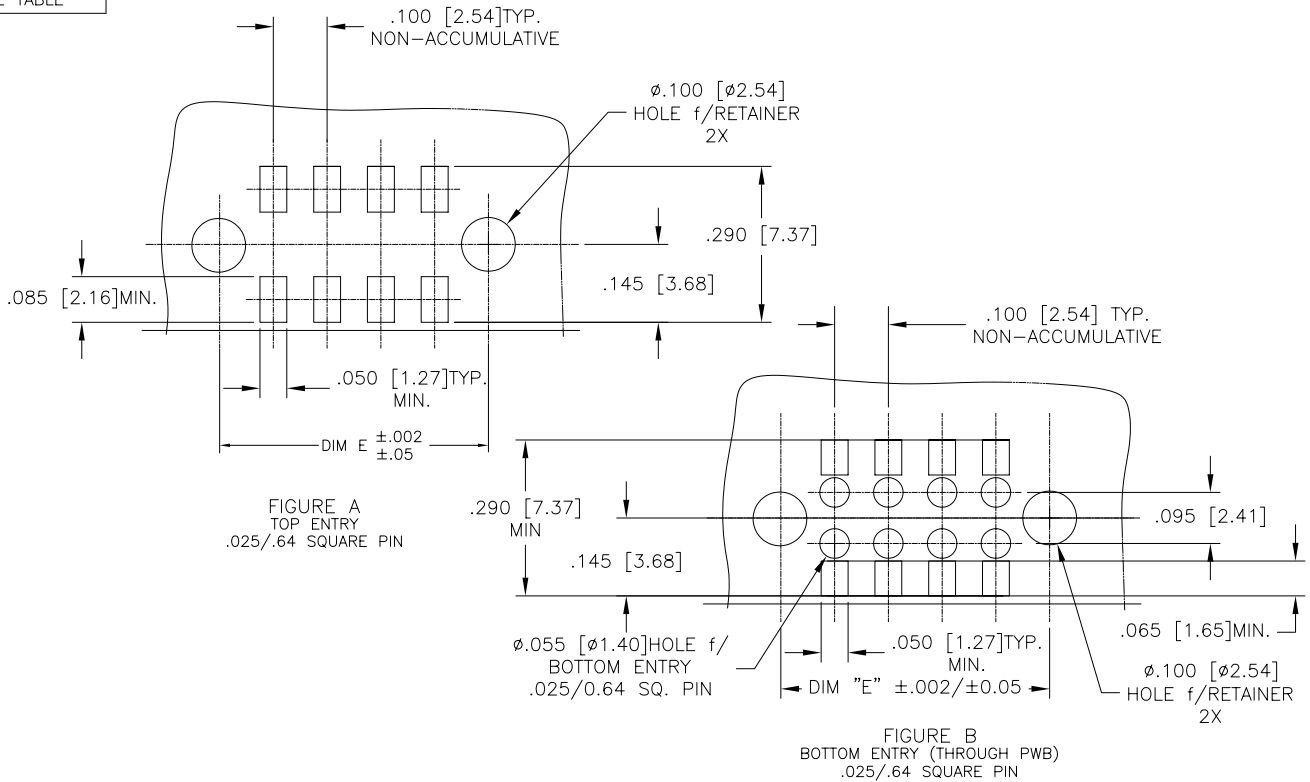
- LEAD FREE OPTION
- PACKAGING OPTION NOTE 10, OMIT IF NOT REQUIRED.
- NO. OF POSITIONS PER ROW
- PLATING CODE
- BASE PART NUMBER



mat'l. code		surface		tolerance		projection		product family	
NOTES 1,3,10 & 14		ISO 1302 ✓		ISO 406		ISO 1101		DUBOX	
ltr	ecn no	dr	date	tolerances unless otherwise specified		INCH/MM		title	
M	V20155	GIP	02/04/02	angles	linear	.XXx-01/.Xx-3		SMT DOUBLE ROW	
N	V21654	GIP	10/15/08			.XXXXx-0.005/.XXXXx-13		VCC ASSEMBLY	
P	V03-0310	HTB	05/02/03	0°±2"		.XXXXx-0.020/.XXXXx-051		scale 1:1	
R	V03-1246	PJ	12/04/03	dr	J. SHREINER	12/31/90		dwg no	
S	V05-0463	DPU	06/27/08	engr	M. HAHN	12/31/90		sheet 1 of 6 size	
T	M07-0143	ERE	03/03/07	chr	M. HAHN	12/31/90		69154	
U	M07-0203	AGS	05/02/07	appd	M. HAHN	12/31/90		A3	
sheet index	revision	U	U	U	U	U	U	type Product Customer Drawing	
	sheet	1	2	3	4	5	6		

PDM: Rev:U STATUS:Released Printed: Dec 01, 2010

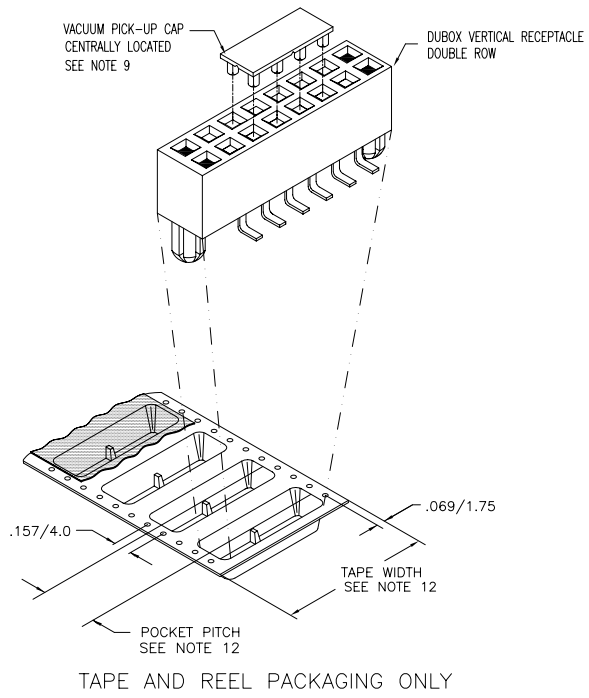
PRODUCT NUMBER
SEE TABLE



mat'l. code	surface ISO 1302 ✓	tolerance ISO 406 ISO 1101	projection FIRST ANGLE	product family DUBOX
ltr	ecn	no	dr	date
U				
tolerances unless otherwise specified			title	
angles	linear	0° ± 2'	SMT DOUBLE ROW VCC ASSEMBLY	
scale 1:1			dwg no	
dr J. SHREINER 12/31/90			69154	
enrg M. HAHN 12/31/90			sheet 2 of 6 size	
chr M. HAHN 12/31/90			A3	
appd M. HAHN 12/31/90			type Product Customer Drawing	
sheet index	revision sheet			

PDM: Rev:U STATUS:Released Printed: Dec 01, 2010

PRODUCT NO.
SEE TABLE



mat'l. code		surface	tolerance	projection	product family
ISO 1302		ISO 406	ISO 1101		DUBOX
U		tolerances unless otherwise specified		INCH/MM	title
ecn no		dr	date	scale 1:1	SMT DOUBLE ROW VCC ASSEMBLY
angles		linear			dwg no
0°±2'		.XX±.01/.X±.3			sheet 3 of 6 size
dr		J. SHREINER	12/31/90		69154
enrg		M. HAHN	12/31/90		A3
chr		M. HAHN	12/31/90		type
appd		M. HAHN	12/31/90		Product Customer Drawing
sheet index	revision sheet				

PDM: Rev:U STATUS:Released Printed: Dec 01, 2010

PRODUCT NO NOTE 13	PLATING CONTACT AREA	PLATING SOLDER TAIL	MATERIAL REF	
69154-2XX	15u"/.38u Au MIN OVER 50u"/1.27u Ni MIN SEE NOTE 16	100u"/160u SN 2.54u/4.06u	NOTE 3 & 4	
69154-3XX	30u"/.76u Au MIN OVER 50u"/1.27u Ni MIN SEE NOTE 16	100u"/160u SN 2.54u/4.06u	NOTE 3 & 4	
69154-6XX	30u"/.76u Au MIN OVER 50u"/1.27u Ni MIN SEE NOTE 16	100u"/160u SN 2.54u/4.06u	NOTE 3 & 4	
69154-8XX	30u"/.76u Au MIN OVER 50u"/1.27u Ni MIN	100u"/160u SN 2.54u/4.06u	NOTE 3 & 4	OBSOLETE

- NOTES:
- ① MATERIAL TERMINAL: PHOSPHOR BRONZE,
 2. RECOMMENDED APPLICATION DATA:
 - A. RECOMMENDED SOLDER PAD PATTERN IS SHOWN IN FIGURE A & B.
 - B. ALL MATING PINS TO BE .025/.64. SQUARE ON TRUE CENTER OF GIVEN TERMINAL SPACING WITHIN .015/38. DIA.
 - C. SUGGESTED MATING PIN LENGTH .210 ±.020/5.33 ±.51.
 - ③ MATERIAL HOUSING: P.P.S. FILLED,COLOR BLACK
FLAME RETARDANT PER UL 94V-0.
COMPATIBLE WITH INFRA-RED SOLDERING.
THIS PART WILL WITHSTAND EXPOSURES TO 260°C
PEAK TEMPERATURE FOR 20 SECONDS IN WAVE SOLDER,
INFRA-RED OR VAPOR PHASE SOLDER PROCESS.
 - ④ PRESTAMPED POST PLATED TERMINALS.
 5. FCI, FCI FINAL PART NUMBER AND DATE CODE TO BE MARKED ON TUBE LABEL.
 6. STANDARD PACKAGING PER BUS-14-097.
 7. TAPE AND REEL PACKAGING PER GES-14-334.
 8. CARRIER TAPE WIDTH 24 MIN. & BELOW TO HAVE PILOT HOLES ON ONE SIDE OF TAPE ONLY. SIZES ABOVE 24mm TO HAVE PILOT HOLES ON BOTH SIDES OF TAPE.
 - ⑨ VACUUM CAP MATERIAL FOR TAPE & REEL PACKAGING:
L.C.P., FLAME RETARDANT PER UL 94V-0.
COLOR: BLACK
 - ⑩ ADD SUFFIX "P" TO PART DASH NUMBER FOR TAPE AND REEL PACKAGING.
EXAMPLE: 69154-XXXXP
 11. MAXIMUM LENGTH OF CONNECTOR FOR TAPE AND REEL PACKAGING IS 2.50 INCHES LONG/63.5 MM.
 - ⑫ TAPE & REEL PACKAGING 72mm WIDE TAPE WITH 16mm POCKET PITCH.
 - ⑬ ADD LF SUFFIX AT THE END OF PART NUMBER FOR LEAD FREE OPTION.
 14. THESE PRODUCTS MEETS EUROPEAN UNION DIRECTIVES AND OTHER COUNTRY REGULATION AS DESCRIBED IN GS-22-008.
 - ⑮ "THIS PRODUCT HAS 100% TIN PLATING IN THE INTERFACE AND HAS NOT BEEN TESTED FOR WHISKER GROWTH IN ALL INTERCONNECT ENVIRONMENTS."
 - ⑯ PLATING OPTIONS:
MAY BE EITHER GOLD OR GXT PLATED AT MANUFACTURER'S OPTION.

mat'l. code		surface	tolerance	projection	product family
ISO 1302		ISO 406	ISO 1101		DUBOX
ltr	ecn no dr	date		title	
u				SMT DOUBLE ROW VCC ASSEMBLY	
angles		linear	.XX±.01/.X±.3	INCH/MM	
0'±2'			.XXX±.005/.XXX±.13	scale 1:1	
dr		J. SHREINER	12/31/90	FCI	
enrg		M. HAHN	12/31/90	dwg no sheet4 of 6 size	
chr		M. HAHN	12/31/90	69154 A3	
appd		M. HAHN	12/31/90	type Product Customer Drawing	
sheet	revision				
index	sheet				

PDM: Rev:U STATUS:Released Printed: Dec 01, 2010

PRODUCT NO	NO OF POS	DIM C	DIM D	DIM E	TAPE & REEL PACKAGING	LF OPTION
69154-Y02	2 X 2	.100/2.54	.417/10.59	.300/7.62	NO	
69154-Y03	2 X 3	.200/5.08	.517/13.13	.400/10.16	NO	
69154-Y04	2 X 4	.300/7.62	.617/15.67	.500/12.70	NO	
69154-Y05	2 X 5	.400/10.16	.717/18.21	.600/15.24	NO	
69154-Y06	2 X 6	.500/12.70	.817/20.75	.700/17.78	NO	
69154-Y07	2 X 7	.600/15.24	.917/23.29	.800/20.32	NO	
69154-Y08	2 X 8	.700/17.78	1.017/25.83	.900/22.86	NO	
69154-Y09	2 X 9	.800/20.32	1.117/28.37	1.000/25.40	NO	
69154-Y10	2 X 10	.900/22.86	1.217/30.91	1.100/27.94	NO	
69154-Y11	2 X 11	1.000/25.40	1.317/33.45	1.200/30.48	NO	
69154-Y12	2 X 12	1.100/27.94	1.417/35.99	1.300/33.02	NO	
69154-Y13	2 X 13	1.200/30.48	1.517/38.53	1.400/35.56	NO	
69154-Y14	2 X 14	1.300/33.02	1.617/41.07	1.500/38.10	NO	
69154-Y15	2 X 15	1.400/35.56	1.717/43.61	1.600/40.64	NO	
69154-Y16	2 X 16	1.500/38.10	1.817/46.15	1.700/43.18	NO	
69154-Y17	2 X 17	1.600/40.64	1.917/48.69	1.800/45.72	NO	
69154-Y18	2 X 18	1.700/43.18	2.017/51.23	1.900/48.26	NO	
69154-Y19	2 X 19	1.800/45.72	2.117/53.77	2.000/50.80	NO	
69154-Y20	2 X 20	1.900/48.26	2.217/56.31	2.100/53.34	NO	
69154-Y21	2 X 21	2.000/50.80	2.317/58.85	2.200/55.08	NO	
69154-Y22	2 X 22	2.100/53.34	2.417/61.39	2.300/58.42	NO	
69154-Y23	2 X 23	2.200/55.88	2.517/63.93	2.400/60.96	NO	
69154-Y24	2 X 24	2.300/58.42	2.617/66.47	2.500/63.50	NO	
69154-Y25	2 X 25	2.400/60.96	2.717/69.01	2.000/66.04	NO	

NOTE 13

mat'l. code	surface ISO 1302 <input checked="" type="checkbox"/>	tolerance ISO 406 ISO 1101	projection 	product family DUBOX
ltr	ecn	no	dr	date
U				
tolerances unless otherwise specified		angles linear	INCH/MM	title SMT DOUBLE ROW VCC ASSEMBLY
0'±2'		XXX.01/XX.3 XXXX.0.005/XXX.15 XXXX.005/XXX.051	scale 1:1	dwg no 69154
dr	J. SHREINER	12/31/90		sheet 5 of 6 size A3
enrg	M. HAHN	12/31/90		
chr	M. HAHN	12/31/90		
appd	M. HAHN	12/31/90		
sheet index	revision sheet			type Product Customer Drawing

PDM: Rev:U STATUS:Released Printed: Dec 01, 2010

PRODUCT NO	NO OF POS	DIM C	DIM D	DIM E	TAPE & REEL PACKAGING	LF OPTION	
69154-Y26	2 X 26	2.500/63.50	2.817/71.55	2.700/68.58	NO	NOTE 13	
69154-Y27	2 X 27	2.600/66.04	2.917/74.09	2.800/71.12	NO		
69154-Y28	2 X 28	2.700/68.58	3.017/76.63	2.900/73.66	NO		
69154-Y29	2 X 29	2.800/71.12	3.117/79.17	3.000/76.20	NO		
69154-Y30	2 X 30	2.900/73.66	3.217/81.71	3.100/78.74	NO		
69154-Y31	2 X 31	3.000/76.20	3.317/84.25	3.200/81.28	NO		
69154-Y32	2 X 32	3.100/78.74	3.417/86.79	3.300/83.32	NO		
69154-Y33	2 X 33	3.200/81.28	3.517/89.33	3.400/86.36	NO		
69154-Y34	2 X 34	3.300/83.32	3.617/91.87	3.500/88.90	NO		
69154-Y35	2 X 35	3.400/86.36	3.717/94.41	3.600/91.44	NO		
69154-Y36	2 X 36	3.500/88.90	3.817/96.95	3.700/93.98	NO		
69154-Y37	2 X 37	3.600/91.44	3.917/99.49	3.800/96.52	NO		
69154-Y38	2 X 38	3.700/93.98	4.017/102.03	3.900/99.06	NO		
69154-Y39	2 X 39	3.800/96.52	4.117/104.57	4.000/101.60	NO		
69154-Y40	2 X 40	3.900/99.06	4.217/107.11	4.100/104.14	NO		
69154-Y41	2 X 41	4.000/101.60	4.317/109.65	4.200/106.68	NO		
69154-Y42	2 X 42	4.100/104.14	4.417/112.19	4.300/109.22	NO		
69154-Y43	2 X 43	4.200/106.68	4.517/114.73	4.400/111.76	NO		
69154-Y44	2 X 44	4.300/109.22	4.617/117.27	4.500/114.30	NO		
69154-Y45	2 X 45	4.400/111.76	4.717/119.81	4.600/116.84	NO		
69154-Y46	2 X 46	4.500/114.30	4.817/122.35	4.700/119.38	NO		
69154-Y47	2 X 47	4.600/116.84	4.917/124.89	4.800/121.92	NO		
69154-Y48	2 X 48	4.700/119.38	5.017/127.43	4.900/124.46	NO		
69154-Y49	2 X 49	4.800/121.92	5.117/129.97	5.000/127.00	NO		
69154-Y50	2 X 50	4.900/124.46	5.217/132.51	5.100/129.54	NO		
69154-Y16P	2 X 16	1.500/38.10	1.817/46.15	1.700/43.18	YES - NOTE 10 & 12		

mat'l. code	surface ISO 1302 <input checked="" type="checkbox"/>	tolerance ISO 406 ISO 1101	projection 	product family DUBOX
ltr	ecn	no	dr	date
U				
tolerances unless otherwise specified		angles linear	INCH/MM	title SMT DOUBLE ROW VCC ASSEMBLY
		0'±2'	scale 1:1	dwg no 69154
		dr J. SHREINER 12/31/90		sheet 6 of 6 size A3
		enrg M. HAHN 12/31/90		type Product Customer Drawing
		chr M. HAHN 12/31/90		
		appd M. HAHN 12/31/90		
sheet index	revision sheet			

PDM: Rev:U STATUS:Released Printed: Dec 01, 2010