

PRODUCT NUMBER
89882-YXX(Z)LF

WHEN NEEDED, SUFFIX LETTER "LF"
INDICATES THE PRODUCT IS RoHS
COMPATIBLE, SEE NOTE 5.

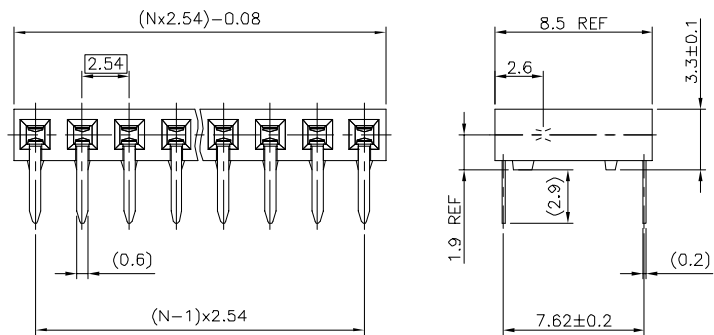
OPTIONAL LETTER
H: HIGH TEMPERATURE PRODUCT.
NUMBER OF POSITIONS: 02 TO 65.

PLATING CODE
3= 0.76µm GOLD ON CONTACT AREA.
3.81µm TIN-LEAD ON TAIL.
4= 5µm TIN-LEAD ON CONTACT AREA.
3.81µm TIN-LEAD ON TAIL.

WHEN SUFFIX "LF" IS REQUIRED, 2µm MIN MATTE
TIN OVER 1.27 MIN Ni IS SUPPLIED INSTEAD OF SnPb.

NOTES:

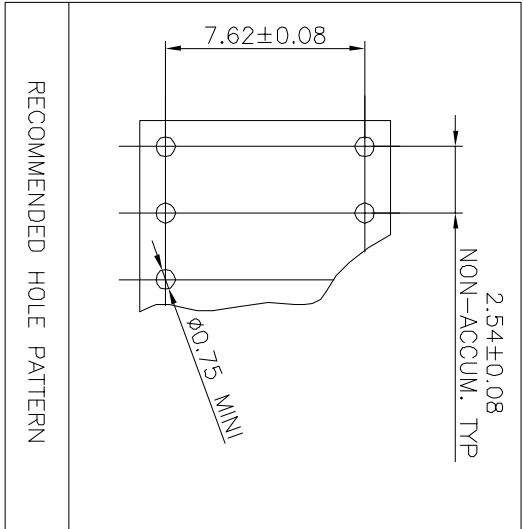
- 1 - HOUSING MAT'L: THERMOPLASTIC GLASS FILLED
FLAME RETARDANT PER UL 94 V-0
LOW TEMPERATURE: COLOR BLUE
HIGH TEMPERATURE: COLOR GREY.
- 2 - TERMINAL MATERIAL: PHOSPHOR BRONZE.
- 3 - 2 UP TO 4 POSITIONS PRODUCT PACKED IN PLASTIC BOX.
5 UP TO 65 POSITIONS PRODUCT PACKED IN TUBE.
- 4 - TO DETERMINE DIMENSIONS:
N = NUMBER OF POSITIONS
EXAMPLE: 8 POS: (Nx2.54)-0.08=20.24 mm.
- 5 - RoHS COMPATIBLE PRODUCT SPECIFICATIONS
 - a - PLATING:
 - "LF" MEANS THE PRODUCT IS LEAD-FREE,
2µm MINIMUM MATTE TIN OVER 1.27µm
MINIMUM NICKEL UNDERPLATE.
 - b - MANUFACTURING PROCESS COMPATIBILITY
 - THE HOUSING WILL WITHSTAND EXPOSURE TO
260°C ±5°C SOLDER BATH TEMPERATURE FOR
5 SECONDS IN A WAVE SOLDER APPLICATION
WITH A 1.6mm MIN THICK CIRCUIT BOARD.
 - c - LABELING:
 - MEETS PACKAGING SPECS AS PER GS-14-920
 - d - LEGAL STATEMENT: SEE GS-22-008



mat'l. code		surface		tolerance		projection		product family	
SEE NOTES		ISO 1982		ISO 486 ISO 1181		mm		DUBOX	
Ltr		ecm no		date		tolerances unless otherwise specified		title	
C	F60362	PNZ	96.05.20	angles		±0.3		BtB RECEPT. HORIZ SR TMT	
D	F60481	PNZ	96.06.20	Linear		mm		dwg no	
E	F10110	GCO	01.01.16	±2°		scale 5:1		sheet 1 of 2	
F	04-D145	DLE	04.02.25	dr	D LEGRAND	04.08.29	FCJ		size
G	FD4-0347	DLE	04.09.28	enrg	P NZZI	04.09.28	89882		A3
H	F06-0204	DLE	06.06.21	chr	D LEGRAND	04.09.28	type		
J	F06-0330	DLE	06.12.04	appd	P NZ	04.09.28	CUSTOMER		Drawing
sheet	revision	J	B						
index	sheet	1	2						

1

2



FCJconnect.com

Copyright FCJ

mat'l. code		SEE SHEET 1		surface		tolerance		projection		product family	
ltr	ecn no	dr	date	ISO 1312	ISO 406	ISO 1001	ISO 1001	ISO 1001	ISO 1001	DUBOX	
A	F04-0347	DLE	04.09.28	tolerances unless otherwise specified		linear		mm		BTB RECEPT.	
B	F06-0204	DLE	06.06.21	angles		±0.3		scale 5:1		HORIZ SR TMT	
				±x°						89882	
				dr		D LEGRAND		04.09.28		sheet 2 of 2	
				engr		P NIZZI		04.09.28		size	
				chr		D LE		04.09.28		A4	
				dppd		P NZ		04.09.28		Drawing	
Sheet	revision										
Index	Sheet										