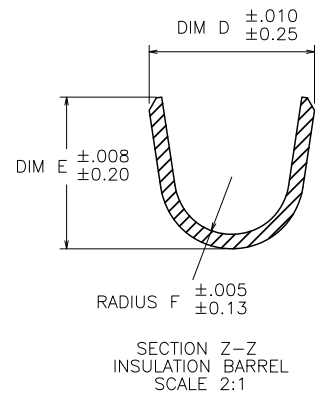
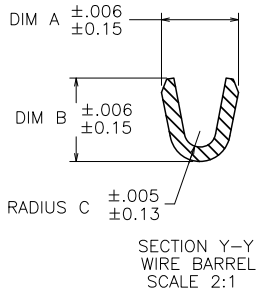
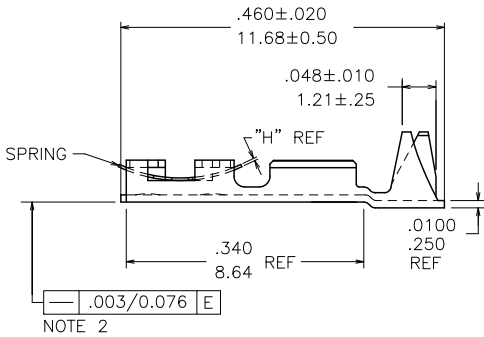
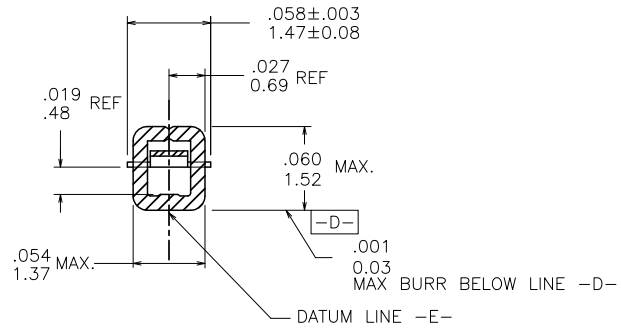
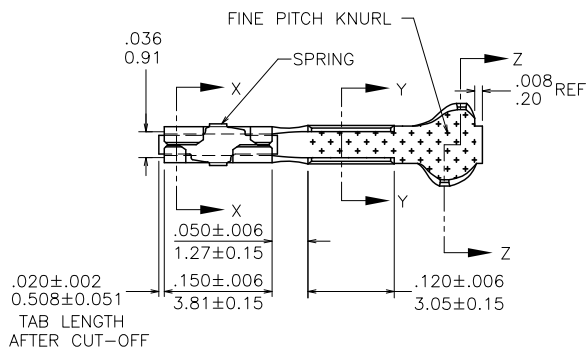


PRODUCT NUMBER  
SEE SHEET 3



|             |          |          |            |                                       |              |                |                                      |
|-------------|----------|----------|------------|---------------------------------------|--------------|----------------|--------------------------------------|
| mat'l. code |          | surface  |            | tolerance                             | projection   | product family |                                      |
| SEE TABLE   |          | ✓        |            |                                       |              | PV TERMINALS   |                                      |
| lir         | ec'n no  | dr       | date       | tolerances unless otherwise specified | INCH/MM      | title          |                                      |
| AG          | v07-0218 | HTB      | 2007-03-16 | angles                                |              | scale 5:1      | MINI PV™ RECEPTACLE<br>CRIMP TO WIRE |
| AH          | v08-0113 | HTB      | 2008-03-26 | linear                                | FCJ          | dwg no         | sheet 1 of 6                         |
| AJ          | f08-0159 | HTB      | 2008-04-16 |                                       |              | 47212          | A3                                   |
| AK          | f08-0189 | HTB      | 2008-06-25 | dr                                    | type         |                | Product Customer Drawing             |
| AL          | v08-0510 | HTB      | 2008-12-02 | eng'r                                 | T. BREWBAKER |                | 2006-04-18                           |
| AM          | v10-0359 | HTB      | 2010-09-16 | chr                                   | T. BREWBAKER |                | 2006-04-18                           |
| sheet index |          | revision | AM         | AM                                    | AM           | AM             | AM                                   |
| 1           | 2        | 3        | 4          | 5                                     | 6            |                |                                      |

| PRODUCT NUMBER<br>SEE SHEET 3 | WIRE BARREL  |           |           | INSULATION BARREL |                              |           |           | RECOMMENDED HANDTOOL FOR<br>LOOSE PIECE APPLICATION |          |
|-------------------------------|--------------|-----------|-----------|-------------------|------------------------------|-----------|-----------|---|----------|
|                               | AWG<br>RANGE | DIM A     | DIM B     | RADIUS C          | INSULATION DIAMETER<br>RANGE | DIM D     | DIM E     |   | RADIUS F |
|                               | 18-20        | .104/2.64 | .104/2.64 | .021/.53          | .042/1.07-.103/2.62          | .139/3.53 | .120/3.05 | .050/1.27   | HT-0073  |
|                               | 22-26        | .070/1.78 | .070/1.78 | .017/.43          | .036/.91-.103/2.62           | .139/3.53 | .120/3.05 | .050/1.27   | HT-0095  |
|                               | 28-32        | .054/1.37 | .058/1.47 | .011/.28          | .028/.71-.054/1.37           | .115/2.92 | .105/2.67 | .040/1.02   |          |

NOTES:

1. TERMINAL MATES WITH  $.025 \pm .002 / 0.64 \pm 0.05$  SQUARE OR ROUND PIN.
- ② WHEN MEASURED ALONG DATUM -E- WITHIN  $.340 / 8.64$  REF DIM.
3. PRODUCT SPECIFICATION: BUS-12-067.  
APPLICATION SPECIFICATIONS:  
TA-75: TERMINAL DATA FOR USE WITH MINI LATCH HOUSING.  
TA-146: TERMINAL DATA FOR CONTACTS NOT USED IN HOUSINGS.  
TA-210: TERMINAL DATA FOR CONTACTS USED WITH MINI ROD HOUSINGS.  
TA-228: APPLICATIONS USING 20 AWG WIRE.  
TA-531: INSTALLING AND REMOVING TERMINALS.
- ④ PRODUCT MEETS EUROPEAN UNION DIRECTIVES AND OTHER COUNTRY REGULATIONS AS DESCRIBED IN GS-22-008.
5. THIS PRODUCT IS NOT INTENDED TO BE EXPOSED TO MANUFACTURING SOLDERING PROCESSES.
- ⑥ THIS PRODUCT HAS 100% TIN PLATING IN THE INTERFACE AND HAS NOT BEEN TESTED FOR WHISKER GROWTH IN ALL INTERCONNECT ENVIRONMENTS.
- ⑦ REMAINDER OF TOP OF PART TO BE GOLD FLASH OVER  $50 \mu'' / 1.27 \mu\text{m}$  NICKEL.  
BACKSIDE OF TERMINALS TO BE PLATED WITH  $30 \mu'' / 0.76 \mu\text{m}$  NICKEL ONLY.

|             |                |         |           |                                       |                                      |
|-------------|----------------|---------|-----------|---------------------------------------|--------------------------------------|
| mat'l code  | SEE TABLE      | surface | tolerance | projection                            | product family                       |
| tr          | ecm no         | dr      | date      | tolerances unless otherwise specified | title                                |
| AM          |                |         |           | angles                                | MINI PV™ RECEPTACLE<br>CRIMP TO WIRE |
|             |                |         |           | linear                                |                                      |
|             |                |         |           | dr T. BREWBAKER 2006-04-18            | scale 1:1                            |
|             |                |         |           | engr T. BREWBAKER 2006-04-18          | FCJ                                  |
|             |                |         |           | chr T. BREWBAKER 2006-04-18           | dwg no 47212 sheet 2 of 6 size A3    |
|             |                |         |           | appd T. BREWBAKER 2006-04-18          | type Product Customer Drawing        |
| sheet index | revision sheet |         |           |                                       |                                      |

PDM: Rev:AM STATUS: Released Printed: May 26, 2011

| MATERIAL & PLATING   |              | SPRING THICKNESS<br>DIM H±.0005/0.012 | AWG<br>RANGE | REELED<br>NOTE 4 | LOOSE<br>NOTE 4 | PLATING AVAILABILITY |        |      |        |      |        |     |      |      |  |
|--|--------------|---------------------------------------|--------------|------------------|-----------------|----------------------|--------|------|--------|------|--------|-----|------|------|--|
| 1/4 HARD BRASS BODY  | Be/Cu SPRING |                                       |              |                  |                 | -000                 | -000LF | -001 | -001LF | -002 | -002LF |     |      |      |  |
| CONTACT AREA<br>UNDERPLATING:<br>50µ"/1.27µ Ni<br>CONTACT AREA:<br>15µ"/0.38µ Au<br>INSIDE BOX AREA:<br>-000LF Au FLASH<br>-001LF 15µ"/0.38µ Au<br>-002LF 6µ"/0.15µ Au<br>REMAINDER:<br>-000LF SEE NOTE 7<br>-001LF 15µ"/0.38µ Au<br>-002LF Au FLASH | Au FLASH     | .0035/0.089                           | 18-20        | 48241            | 48250           | NO                   | YES    | NO   | NO     | NO   | NO     |     |      |      |  |
|  |              |                                       | 22-26        | 48242            | 48251           | NO                   | YES    | NO   | NO     | NO   | NO     |     |      |      |  |
|  |              |                                       | 28-32        | 48243            | 48252           | NO                   | YES    | NO   | NO     | NO   | NO     |     |      |      |  |
|  |              | .0048/0.122                           | Au FLASH     | .0035/0.089      | 18-20           | 48244                | 48253  | NO   | YES    | NO   | NO     | NO  | NO   |      |  |
|  |              |                                       |              |                  | 22-26           | 48245                | 48254  | NO   | YES    | NO   | NO     | NO  | NO   |      |  |
|  |              |                                       |              |                  | 28-32           | 48246                | 48255  | NO   | YES    | NO   | NO     | NO  | NO   |      |  |
|  |              | .0058/0.147                           | Au FLASH     | .0048/0.122      | 18-20           | 94011                | 94014  | NO   | NO     | NO   | NO     | NO  | NO   | OBS. |  |
|  |              |                                       |              |                  | 22-26           | 94012                | 94015  | NO   | NO     | NO   | NO     | NO  | NO   | OBS. |  |
|  |              |                                       |              |                  | 28-32           | 94013                | 94016  | NO   | NO     | NO   | NO     | NO  | NO   | OBS. |  |
|  |              | .0065/0.165                           | Au FLASH     | .0058/0.147      | 18-20           | 48247                | 48256  | NO   | YES    | NO   | NO     | NO  | NO   |      |  |
|  |              |                                       |              |                  | 22-26           | 48248                | 48257  | NO   | YES    | NO   | NO     | NO  | NO   |      |  |
|  |              |                                       |              |                  | 28-32           | 48249                | 48258  | NO   | YES    | NO   | NO     | NO  | NO   |      |  |
| CONTACT AREA<br>UNDERPLATING:<br>50µ"/1.27µ Ni<br>CONTACT AREA:<br>30µ"/0.76µ Au<br>INSIDE BOX AREA:<br>-000LF Au FLASH<br>-001LF 30µ"/0.76µ Au<br>-002LF 8µ"/0.2µ Au<br>REMAINDER:<br>-000LF SEE NOTE 7<br>-001LF 30µ"/0.76µ Au<br>-002LF Au FLASH  | Au FLASH     | .0035/0.089                           | 18-20        | 48231            | 48266           | NO                   | YES    | NO   | NO     | NO   | NO     |     |      |      |  |
|  |              |                                       | 22-26        | 48049            | 48235           | NO                   | YES    | NO   | NO     | NO   | NO     | YES |      |      |  |
|  |              |                                       | 28-32        | 48048            | 48238           | NO                   | YES    | NO   | NO     | NO   | NO     | YES |      |      |  |
|  |              | .0048/0.122                           | Au FLASH     | .0035/0.089      | 18-20           | 48047                | 48232  | NO   | YES    | NO   | NO     | NO  | YES  |      |  |
|  |              |                                       |              |                  | 22-26           | 48046                | 48234  | NO   | YES    | NO   | NO     | NO  | NO   | YES  |  |
|  |              |                                       |              |                  | 28-32           | 48045                | 48237  | NO   | YES    | NO   | NO     | NO  | NO   | YES  |  |
|  |              | .0058/0.147                           | Au FLASH     | .0048/0.122      | 18-20           | 94017                | 94019  | NO   | NO     | NO   | NO     | NO  | NO   | OBS. |  |
|  |              |                                       |              |                  | 22-26           | 94018                | 94020  | NO   | NO     | NO   | NO     | NO  | NO   | OBS. |  |
|  |              |                                       |              |                  | 28-32           | 93259                | 94021  | NO   | NO     | NO   | NO     | NO  | NO   | OBS. |  |
|  |              | .0065/0.165                           | Au FLASH     | .0058/0.147      | 18-20           | 48052                | 48233  | NO   | YES    | NO   | NO     | NO  | YES* |      |  |
|  |              |                                       |              |                  | 22-26           | 48051                | 48236  | NO   | YES    | NO   | NO     | NO  | YES  |      |  |
|  |              |                                       |              |                  | 28-32           | 48050                | 48239  | NO   | YES    | NO   | NO     | NO  | YES  |      |  |

\* LOOSE PIECE NOT AVAILABLE

|             |                |         |           |                                       |                         |
|-------------|----------------|---------|-----------|---------------------------------------|-------------------------|
| mat'l code  | SEE TABLE      | surface | tolerance | projection                            | product family          |
| tr          | ecrn no        | dr      | date      | tolerances unless otherwise specified | title                   |
| AM          |                |         |           | angles                                | linear                  |
|             |                |         |           | linear                                | linear                  |
|             |                |         |           | dr                                    | T. BREWBAKER 2006-04-18 |
|             |                |         |           | engr                                  | T. BREWBAKER 2006-04-18 |
|             |                |         |           | chr                                   | T. BREWBAKER 2006-04-18 |
|             |                |         |           | appd                                  | T. BREWBAKER 2006-04-18 |
| sheet index | revision sheet |         |           |                                       |                         |

|         |           |                |                                      |
|---------|-----------|----------------|--------------------------------------|
| INCH/MM | scale 1:1 | product family | PV TERMINALS                         |
|         |           | title          | MINI PV™ RECEPTACLE<br>CRIMP TO WIRE |
|         |           | dwg no         | 47212                                |
|         |           | sheet          | 3 of 6                               |
|         |           | size           | A3                                   |
|         |           | type           | Product Customer Drawing             |

| MATERIAL & PLATING   |              | SPRING THICKNESS<br>DIM H±.0005/0.012 | AWG<br>RANGE | REELED<br>NOTE 4 | LOOSE<br>NOTE 4 | PLATING AVAILABILITY |        |      |        |      |        |      |     |      |
|--|--------------|---------------------------------------|--------------|------------------|-----------------|----------------------|--------|------|--------|------|--------|------|-----|------|
| 1/4 HARD BRASS BODY  | Be/Cu SPRING |                                       |              |                  |                 | -000                 | -000LF | -001 | -001LF | -002 | -002LF |      |     |      |
| CONTACT AREA<br>UNDERPLATING:<br>50µ"/1.27µ Ni<br>CONTACT AREA:<br>40µ"/1.02µ Au<br>INSIDE BOX AREA:<br>-000LF Au FLASH<br>-001LF 8µ"/0.2µ Au<br>-002LF 8µ"/0.2µ Au<br>REMAINDER:<br>-000LF SEE NOTE 7<br>-001LF 8µ"/0.2µ Au<br>-002LF Au FLASH            | Au FLASH     | .0035/0.089                           | 18-20        | 48276            | N/A             | NO                   | NO     | NO   | NO     | NO   | YES    |      |     |      |
|  |              |                                       | 22-26        | 47457            | 47743           | NO                   | YES    | NO   | YES    | NO   | YES    |      |     |      |
|  |              |                                       | 28-32        | 47456            | 47742           | NO                   | YES    | NO   | YES    | NO   | YES    |      |     |      |
|  |              | .0048/0.122                           | Au FLASH     | .0035/0.089      | 18-20           | 47441                | 47713  | NO   | YES    | NO   | YES    | NO   | YES |      |
|  |              |                                       |              |                  | 22-26           | 47439                | 47712  | NO   | YES    | NO   | YES    | NO   | YES |      |
|  |              |                                       |              |                  | 28-32           | 47437                | 47711  | NO   | YES    | NO   | YES    | NO   | YES |      |
|  |              | .0058/0.147                           | Au FLASH     | .0048/0.122      | 18-20           | 94022                | 94025  | NO   | NO     | NO   | NO     | NO   | NO  | OBS. |
|  |              |                                       |              |                  | 22-26           | 94023                | 94026  | NO   | NO     | NO   | NO     | NO   | NO  | OBS. |
|  |              |                                       |              |                  | 28-32           | 94024                | 94027  | NO   | NO     | NO   | NO     | NO   | NO  | OBS. |
|  |              | .0065/0.165                           | Au FLASH     | .0058/0.147      | 18-20           | 47566                | 47746  | NO   | YES    | NO   | YES    | NO   | YES |      |
|  |              |                                       |              |                  | 22-26           | 47565                | 47745  | NO   | YES    | NO   | YES    | NO   | YES |      |
|  |              |                                       |              |                  | 28-32           | 47564                | 47744  | NO   | YES    | NO   | YES    | NO   | YES |      |
| DISCONTINUED   |              |                                       |              | 48191            | 48194           |                      |        |      |        |      |        |      |     |      |
| DISCONTINUED   |              |                                       |              | 48192            | 48195           |                      |        |      |        |      |        |      |     |      |
| DISCONTINUED   |              |                                       |              | 48193            | 48196           |                      |        |      |        |      |        |      |     |      |
| CONTACT AREA<br>UNDERPLATING:<br>50µ"/1.27µ Ni<br>CONTACT AREA:<br>75µ"/1.91µ Au<br>INSIDE BOX AREA:<br>-000LF Au FLASH<br>-001LF 75µ"/1.91µ Au<br>-002LF 30µ"/0.76µ Au<br>REMAINDER:<br>-000LF SEE NOTE 7<br>-001LF 75µ"/1.91µ Au<br>-002LF 15µ"/0.38µ Au | Au FLASH     | .0035/0.089                           | 18-20        | 47785            | 48014           | NO                   | YES    | NO   | NO     | NO   | NO     | OBS. |     |      |
|  |              |                                       | 22-26        | 47784            | 48015           | NO                   | NO     | NO   | NO     | NO   | NO     | OBS. |     |      |
|  |              |                                       | 28-32        | 47783            | 48013           | NO                   | NO     | NO   | NO     | NO   | NO     | OBS. |     |      |
|  |              | .0048/0.122                           | Au FLASH     | .0035/0.089      | 18-20           | 47220                | 47707  | NO   | NO     | NO   | NO     | NO   | NO  | OBS. |
|  |              |                                       |              |                  | 22-26           | 47216                | 47706  | NO   | YES    | NO   | NO     | NO   | NO  | OBS. |
|  |              |                                       |              |                  | 28-32           | 47212                | 47705  | NO   | YES    | NO   | NO     | NO   | NO  | OBS. |
|  |              | .0058/0.147                           | Au FLASH     | .0048/0.122      | 18-20           | 94028                | 94031  | NO   | NO     | NO   | NO     | NO   | NO  | OBS. |
|  |              |                                       |              |                  | 22-26           | 94029                | 94032  | NO   | NO     | NO   | NO     | NO   | NO  | OBS. |
|  |              |                                       |              |                  | 28-32           | 94030                | 94033  | NO   | NO     | NO   | NO     | NO   | NO  | OBS. |

|             |                |         |           |   |                                      |
|-------------|----------------|---------|-----------|---|--------------------------------------|
| mat'l code  | SEE TABLE      | surface | tolerance | projection  | product family                       |
| tr          | ecm no         | dr      | date      | tolerances unless otherwise specified                 | title                                |
| AM          |                |         |           | angles linear   | MINI PV™ RECEPTACLE<br>CRIMP TO WIRE |
|             |                |         |           | XXX±.01/XX±.3<br>XXXX.005/XX±.13<br>XXXX-0020/XXXX001 | sheet 4 of 6 size                    |
|             |                |         |           | dr T. BREWBAKER 2006-04-18                            | 47212 A3                             |
|             |                |         |           | engr T. BREWBAKER 2006-04-18                          | type Product Customer Drawing        |
|             |                |         |           | chr T. BREWBAKER 2006-04-18                           |                                      |
|             |                |         |           | appd T. BREWBAKER 2006-04-18                          |                                      |
| sheet index | revision sheet |         |           |   |                                      |

PDM: Rev:AM STATUS: Released Printed: May 26, 2011

| MATERIAL & PLATING  |              | SPRING THICKNESS<br>DIM H±.0005/0.012                                      | AWG<br>RANGE | REELED<br>NOTE 4 | LOOSE<br>NOTE 4 | PLATING AVAILABILITY |        |      |        |      |      |        |  |
|---|--------------|--|--------------|------------------|-----------------|----------------------|--------|------|--------|------|------|--------|--|
| 1/4 HARD BRASS BODY   | Be/Cu SPRING |  |              |                  |                 | -000                 | -000LF | -001 | -001LF | -002 |      | -002LF |  |
| PRE-PLATED:<br>UNDERPLATING:<br>50μ"/1.27μ" Ni<br>OVERPLATING:<br>100-200μ"/2.54-5.08μ"<br>60/40 TIN LEAD<br><br>"LF NOT AVAILABLE"<br>SEE LEAD-FREE<br>EQUIVALENTS BELOW | Sn PLATED    | .0035/0.089  | 22-26        | 47445            | 47747           | NO                   | NO     | NO   | NO     | NO   | OBS. |        |  |
|   |              |  | 28-32        | 47446            | 47748           | NO                   | NO     | NO   | NO     | NO   | OBS. |        |  |
|   |              | .0048/0.122  | 18-20        | 47221            | 47716           | NO                   | NO     | NO   | NO     | NO   | OBS. |        |  |
|   |              |  | 22-26        | 47217            | 47715           | NO                   | NO     | NO   | NO     | NO   | OBS. |        |  |
|   |              | .0058/0.147  | 18-20        | 94034            | 94037           | NO                   | NO     | NO   | NO     | NO   | OBS. |        |  |
|   |              |  | 22-26        | 94035            | 94038           | NO                   | NO     | NO   | NO     | NO   | OBS. |        |  |
|   |              | .0065/0.165  | 18-20        | 47648            | 47749           | NO                   | NO     | NO   | NO     | NO   | OBS. |        |  |
|   |              |  | 22-26        | 47649            | 47750           | NO                   | NO     | NO   | NO     | NO   | OBS. |        |  |
|   |              |  |              |                  | 28-32           | 47650                | 47751  | NO   | NO     | NO   | NO   | OBS.   |  |
|   |              |  |              |                  |                 |                      |        |      |        |      |      |        |  |
|   |              | PRE-PLATED:<br>-000LF 100-160μ"<br>2.54-4.06μ"<br>Sn (LEAD-FREE)<br>NOTE 6 | Sn PLATED    | .0035/0.089      | 22-26           | 47445                | 47747  | NO   | YES    | NO   | NO   | NO     |  |
|   |              |  |              |                  | 28-32           | 47446                | 47748  | NO   | YES    | NO   | NO   | NO     |  |
| .0048/0.122   | 18-20        |  |              | 47221            | 47716           | NO                   | YES    | NO   | NO     | NO   |      |        |  |
|   | 22-26        |  |              | 47217            | 47715           | NO                   | YES    | NO   | NO     | NO   |      |        |  |
| .0058/0.147   | 18-20        |  |              | 94034            | 94037           | NO                   | NO     | NO   | NO     | NO   | OBS. |        |  |
|   | 22-26        |  |              | 94035            | 94038           | NO                   | NO     | NO   | NO     | NO   | OBS. |        |  |
| .0065/0.165   | 18-20        |  |              | 47648            | 47749           | NO                   | YES    | NO   | NO     | NO   |      |        |  |
|   | 22-26        |  |              | 47649            | 47750           | NO                   | YES    | NO   | NO     | NO   |      |        |  |
|   |              |  |              |                  | 28-32           | 47650                | 47751  | NO   | YES    | NO   | NO   |        |  |
|   |              |  |              |                  |                 |                      |        |      |        |      |      |        |  |

|             |                |         |           |                                       |                         |
|-------------|----------------|---------|-----------|---------------------------------------|-------------------------|
| mat'l code  | SEE TABLE      | surface | tolerance | projection                            | product family          |
| tr          | ecn no         | dr      | date      | tolerances unless otherwise specified | title                   |
| AM          |                |         |           | angles                                | linear                  |
|             |                |         |           | linear                                | linear                  |
|             |                |         |           | dr                                    | T. BREWBAKER 2006-04-18 |
|             |                |         |           | engr                                  | T. BREWBAKER 2006-04-18 |
|             |                |         |           | chr                                   | T. BREWBAKER 2006-04-18 |
|             |                |         |           | appd                                  | T. BREWBAKER 2006-04-18 |
| sheet index | revision sheet |         |           |                                       |                         |

|         |           |                                      |              |
|---------|-----------|--------------------------------------|--------------|
| INCH/MM | scale 1:1 | product family                       | PV TERMINALS |
| title   |           | MINI PV™ RECEPTACLE<br>CRIMP TO WIRE |              |
| dwg no  | 47212     | sheet 5 of 6                         | size A3      |
| type    |           | Product Customer Drawing             |              |

| MATERIAL & PLATING  |              | SPRING THICKNESS<br>DIM H±.0005/0.012 | AWG<br>RANGE | REELED<br>NOTE 4 | LOOSE-PIECE<br>NOTE 4 |           |           |      |
|---|--------------|---------------------------------------|--------------|------------------|-----------------------|-----------|-----------|------|
| 1/4 HARD BRASS BODY   | Be/Cu SPRING |                                       |              |                  |                       |           |           |      |
| UNDERPLATING:<br>50u"X1.27u Ni<br>CONTACT AREA:<br>30u"/0.76u CXT<br>INSIDE BOX AREA:<br>-600 Au FLASH<br>REMAINDER:<br>-600 Au FLASH | Au FLASH     | .0035/0.089                           | 18-20        | 48231-600        | 48266-600             | OBS.      |           |      |
|   |              |                                       | 22-26        | 48049-600        | 48235-600             | OBS.      |           |      |
|   |              |                                       | 28-32        | 48048-600        | 48238-600             | OBS.      |           |      |
|   |              | CONTINUED                             |              | .0048/0.122      | 18-20                 | 48047-600 | 48232-600 | OBS. |
|   |              |                                       |              |                  | 22-26                 | 48046-600 | 48234-600 | OBS. |
|   |              |                                       |              |                  | 28-32                 | 48045-600 | 48237-600 | OBS. |
|   |              |                                       |              | .0058/0.147      | 18-20                 | 94017-600 | 94019-600 | OBS. |
|   |              |                                       |              |                  | 22-26                 | 94018-600 | 94020-600 | OBS. |
|   |              |                                       |              |                  | 28-32                 | 93259-600 | 94021-600 | OBS. |
|   |              |                                       |              | .0065/0.165      | 18-20                 | 48052-600 | 48233-600 | OBS. |
|   |              |                                       |              |                  | 22-26                 | 48051-600 | 48236-600 | OBS. |
|   |              |                                       |              |                  | 28-32                 | 48050-600 | 48239-600 | OBS. |



Copyright FCJ

|             |                |         |           |                                       |                         |
|-------------|----------------|---------|-----------|---------------------------------------|-------------------------|
| mat'l code  | SEE TABLE      | surface | tolerance | projection                            | product family          |
| tr          | ecm no         | dr      | date      | tolerances unless otherwise specified | PV TERMINALS            |
| AM          |                |         |           | angles                                | linear                  |
|             |                |         |           | linear                                | linear                  |
|             |                |         |           | dr                                    | T. BREWBAKER 2006-04-18 |
|             |                |         |           | engr                                  | T. BREWBAKER 2006-04-18 |
|             |                |         |           | chr                                   | T. BREWBAKER 2006-04-18 |
|             |                |         |           | appd                                  | T. BREWBAKER 2006-04-18 |
| sheet index | revision sheet |         |           |                                       |                         |

|         |                                      |                      |
|---------|--------------------------------------|----------------------|
| INCH/MM | scale 1:1                            | FCJ                  |
| title   | MINI PV™ RECEPTACLE<br>CRIMP TO WIRE |                      |
| dwg no  | 47212                                | sheet 6 of 6 size A3 |
| type    | Product Customer Drawing             |                      |

PDM: Rev:AM STATUS: Released Printed: May 26, 2011