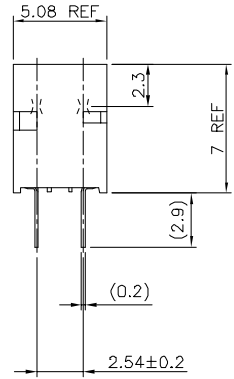
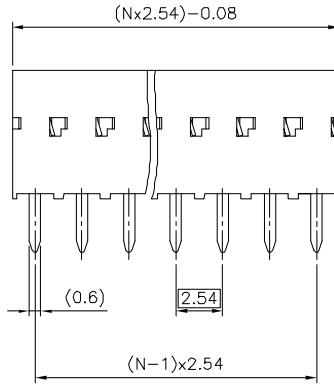
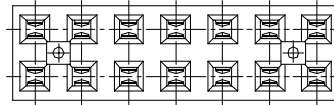


PRODUCT NUMBER
76342-YXXXLF

WHEN NEEDED, SUFFIX LETTER "LF"
INDICATES THE PRODUCT IS RoHS
COMPATIBLE, SEE NOTE 10
OPTIONAL LETTER
H: HIGH TEMPERATURE PRODUCT.
C: PACKAGED IN SHORT TUBE.
NUMBER OF POSITIONS PER ROW: 02 TO 50.
PLATING CODE
3= 0.76µm GOLD ON CONTACT AREA.
3.81µm TIN-LEAD ON TAIL.
4= 5µm TIN-LEAD ON CONTACT AREA.
3.81µm TIN-LEAD ON TAIL.
WHEN SUFFIX "LF" IS REQUIRED, 2µm MIN MATTE
TIN OVER 1.27 MIN Ni IS SUPPLIED INSTEAD OF SnPb.



NOTES:

- 1 - HOUSING MAT'L: THERMOPLASTIC GLASS FILLED
FLAME RETARDANT PER UL 94 V-0
LOW TEMPERATURE: COLOR BLUE
HIGH TEMPERATURE: COLOR GREY.
- 2 - TERMINAL MATERIAL: PHOSPHOR BRONZE.
- 3 - 2 UP TO 4 POSITIONS PRODUCT PACKED IN PLASTIC BOX.
5 UP TO 50 POSITIONS PRODUCT PACKED IN TUBE.
- 4 - TO DETERMINE DIMENSIONS:
N = NUMBER OF POSITIONS PER ROW
EXAMPLE: 8 POS: (Nx2.54)-0.08=20.24 mm
- 5 - RoHS COMPATIBLE PRODUCT SPECIFICATIONS

a - PLATING:

- "LF" MEANS THE PRODUCT IS LEAD-FREE,
2µm MINIMUM MATTE TIN OVER 1.27µm
MINIMUM NICKEL UNDERPLATE.

b - MANUFACTURING PROCESS COMPATIBILITY

- THE HOUSING WILL WITHSTAND EXPOSURE TO
260°C ±5°C SOLDER BATH TEMPERATURE FOR
5 SECONDS IN A WAVE SOLDER APPLICATION
WITH A 1.6mm MIN THICK CIRCUIT BOARD.

c - LABELING:

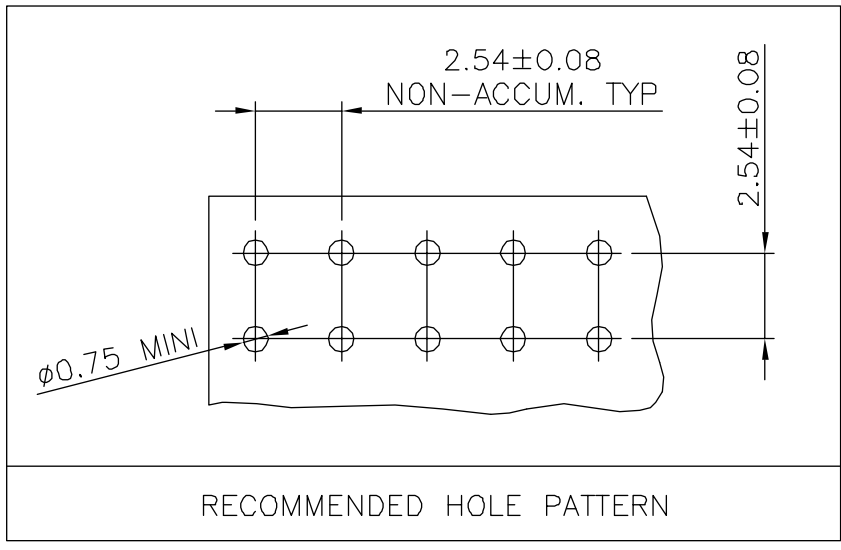
- MEETS PACKAGING SPECS AS PER GS-14-920

d - LEGAL STATEMENT: SEE GS-22-008

mat'l. code	surface	tolerance	projection	product family
SEE NOTES 1 & 2	ISO 1392	ISO 486 ISO 1101	mm	DUBOX
Ltr ecm no dr date	tolerances unless otherwise specified	angles	linear	title
S F10342 DLE 01.06.12	±0.3	±2'	scale 5:1	BtB RECEPT. VERT DR TMT
T F04-0347 DLE 04.09.27				dwg no
U F06-0137 DLE 06.02.27				76342
V F06-0204 DLE 06.06.20	dr D LEGRAND 04.09.27	engr P NIZZI 04.09.27		sheet 1 of 2
P F90376 DLE 99.06.21	chr D LEGRAND 04.09.27	appd P NZ 04.09.27		size A3
R F10110 CCD 01.01.16				type CUSTOMER Drawing
sheet revision V B				
index sheet 1 2				

A
B
C

A
B
C



Copyright FCI

mat'l. code SEE SHEET 1			surface ISO 1302 <input checked="" type="checkbox"/>		tolerance ISO 406 ISO 1101		projection 		product family DUBOX		
ltr	ecn no	dr	date		tolerances unless otherwise specified		mm ↔		title BtB RECEPT. VERT DR TMT		
A	F04-0347	DLE	04.09.27		±0.3						
B	F06-0204	DLE	06.06.20		linear		scale 5:1		dwg no 76342		
					±2'						
			dr	D LEGRAND		04.09.27				sheet 2 of 2	
			engr	P NIZZI		04.09.27				size A4	
			chr	D LE		04.09.27				type CUSTOMER Drawing	
			appd	P NZ		04.09.27					
sheet index	revision sheet										