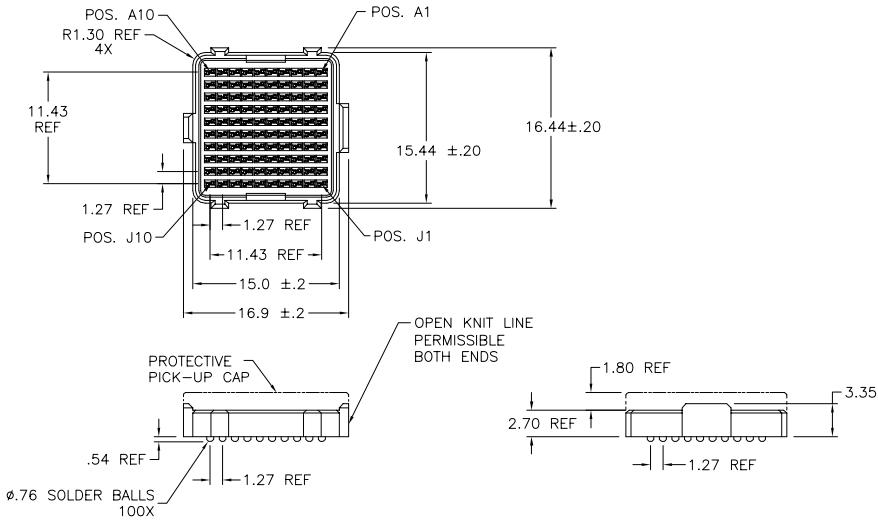


Copyright FCI



FCIconnect.com

PRODUCT No.	PICK-UP CAP	CONTACT PLATING	SOLDER BALL
84513-001	YES	15u" (.38um) Au OVER Ni	SnPb
84513-001LF			SnAgCu LEAD FREE (4)(5)
84513-101	YES	30u" (.76um) Au OVER Ni	SnPb
84513-101LF			SnAgCu LEAD FREE (4)(5)
84513-201	YES	SEE NOTE 3.	SnPb
84513-201LF			SnAgCu LEAD FREE (4)(5)



mat'l. code		surface		tolerance		projection		product family	
-		ASME Y14.5		ASME Y14.5		MM		MEG-Array	
ltr	ecn no	dr	date	tolerances unless otherwise specified				title	
H	v07-0663	LP	2007/10/29	angles	mm	.X +3	4mm RECEPT. ASSY.		
-	-	-	-			.XX +10	10 X 10 = 100 POS.		
C	v20949	DAI	8-20-02	σ ±2°		.XXX +050	scale	1:1	
D	v03-0680	DAI	06/19/03	dr	D.WAUGHEN	3-8-00	FCI		sheet 1 of 3 size
E	v04-0940	VS	10/18/04	enqr	B.SPINK	3-8-00	84513		A4
F	v05-1071	DAI	12/21/05	chr	B.SPINK	3-8-00	type		CUSTOMER Drawing
G	v06-0560	LP	7/14/06	appd	B.SPINK	3-8-00			
sheet	revision	H	H	H					
index	sheet	1	2	3					

form: A4mmXLC

NOTES:

① MAT'L

HOUSING: LCP
CONTACT: COPPER ALLOY

PLATING

CONTACT: (SEE TABLE ON SHEET1)
SOLDER BALL: (SEE TABLE ON SHEET1)
EUTECTIC SnPb OR LEAD FREE
95.5Sn/4Ag/0.5Cu

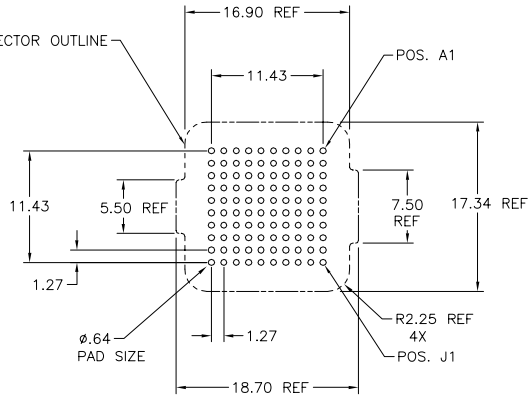
2. OVERALL BOARD-TO-BOARD STACK
HEIGHT WHEN MATED TO P/N 84512
100 POSITION 0mm RECPT. IS 4.0mm REF.

3. PLATING FOR -2XX SERIES DASH NOS. MEETS
THE REQUIREMENTS OF NORTEL NPS25298-2
(CENTRAL OFFICE ENVIRONMENT, 25 YEAR
LIFE EXPECTANCY).

④ FOR PROPER APPLICATION FOLLOW FCI APPLICATION
SPECIFICATION GS-20-033 LEAD FREE SOLDER BALLS WILL
NOT SOLDER PROPERLY IN A LEADED SOLDER PROCESS
DUE TO A HIGHER REFLOW TEMPERATURE. LEAD FREE
PRODUCT IS THEREFORE NOT BACKWARDS COMPATIBLE WITH
LEADED OR SOME SOLDERING APPLICATIONS. REFERENCE
FCI APPLICATION SPECIFICATION

⑤ THIS PRODUCT MEETS EUROPEAN UNION DIRECTIVES AND
OTHER COUNTRY REGULATIONS AS DESCRIBED IN GS-22-008
PRODUCT MEETING THIS DIRECTIVE IS IDENTIFIED IN THE LOT
CODE NUMBER MARKED ON EACH PART BY HAVING AN "X"
IN THE SEVENTH CHARACTER POSITION

STENCIL MATED CONNECTOR OUTLINE
ONTO BOARD.



BOARD PATTERN

mat'l code		surface		tolerance		projection		product family	
		ASME Y14.5		ASME Y14.5				MEG-Array	
tr		ecn no		date				title	
H						MM		4mm RECPT. ASSY.	
								10 X 10 = 100 POS.	
								scale 1:1	
								sheet 2 of 3	
								84513	
								A4	
								CUSTOMER Drawing	
sheet index		revision sheet							

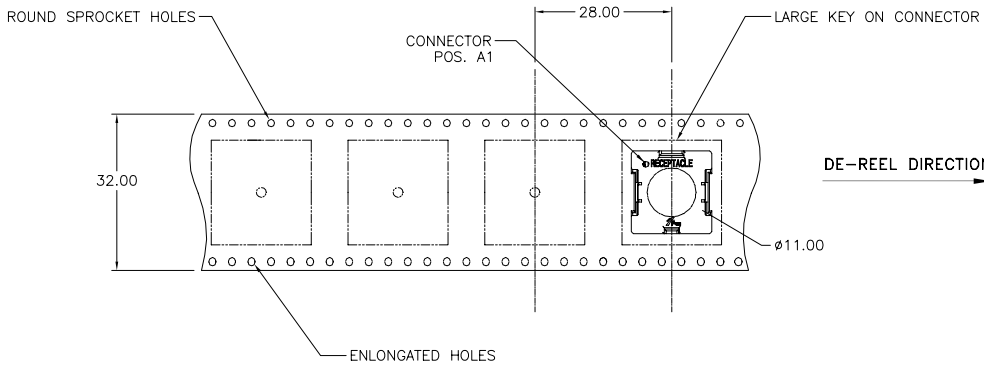
Copyright FCI



1 | 2

3

4



mat'l. code		surface		tolerance		projection		product family			
-		ASME Y14.5		ASME Y14.5				MEG-Array			
ltr	ec'n no	dr	date	tolerances unless otherwise specified							
H				angles	X ±3		MM		title		
				or ±2°	.XX ±10		Scale 1:1		4mm RECPT. ASSY.		
					.XXX ±050				10 X 10 = 100 POS.		
				dr	D.WAUGHEN	3-8-00			dwg no	sheet 3 of 3	size
				engr	B.SPINK	3-8-00			84513	A4	
				chr	B.SPINK	3-8-00					
				appd	B.SPINK	3-8-00					
sheet index	revision										
	sheet										

form: A4mmXlc

1

2

3

4

PDM: Rev:H

STATUS:Released

Printed: Dec 01, 2010