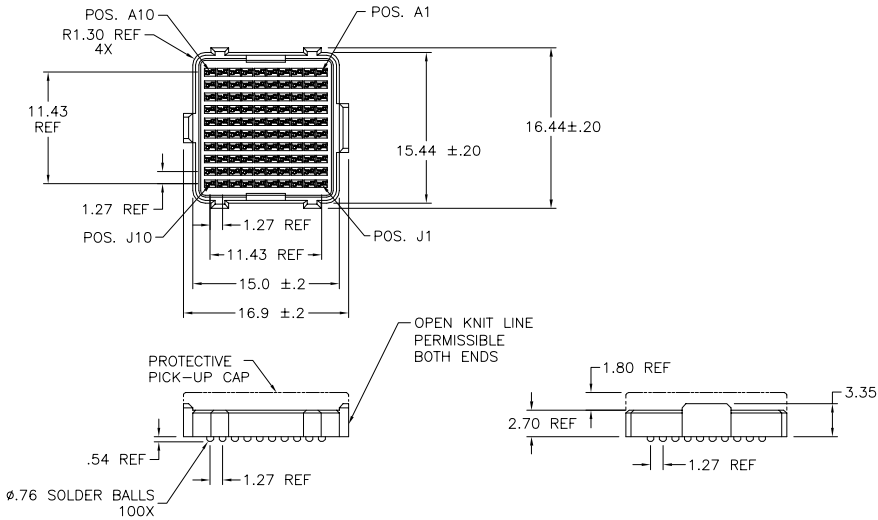


Copyright FCI



FCIconnect.com

PRODUCT No.	PICK-UP CAP	CONTACT PLATING	SOLDER BALL
84513-001	YES	15u" (.38um) Au OVER Ni	SnPb
84513-001LF			SnAgCu LEAD FREE (4)(5)
84513-101	YES	30u" (.76um) Au OVER Ni	SnPb
84513-101LF			SnAgCu LEAD FREE (4)(5)
84513-201	YES	SEE NOTE 3.	SnPb
84513-201LF			SnAgCu LEAD FREE (4)(5)



mat'l. code		surface		tolerance		projection		product family	
-		ASME Y14.5		ASME Y14.5		MM		MEG-Array	
tr ecn no dr date		tolerances unless otherwise specified		angles		MM		title	
H v07-0663 LP 2007/10/29		.X +3		.XX +10		scale 1:1		4mm RECEPT. ASSY.	
C v20949 DAI 8-20-02		0° ±2°		XXX +050				10 X 10 = 100 POS.	
D v03-0680 DAI 06/19/03		dr		D.WAUGHEN		3-8-00		dwg no sheet 1 of 3 size	
E v04-0940 VS 10/18/04		engr		B.SPINK		3-8-00		84513 A4	
F v05-1071 DAI 12/21/05		chr		B.SPINK		3-8-00		type CUSTOMER Drawing	
G v06-0560 LP 7/14/06		appd		B.SPINK		3-8-00			
sheet revision H H H		index sheet 1 2 3							

form: A4mmXLC

NOTES:

① MAT'L

HOUSING: LCP
CONTACT: COPPER ALLOY

PLATING

CONTACT: (SEE TABLE ON SHEET1)
SOLDER BALL: (SEE TABLE ON SHEET1)
EUTECTIC SnPb OR LEAD FREE
95.5Sn/4Ag/0.5Cu

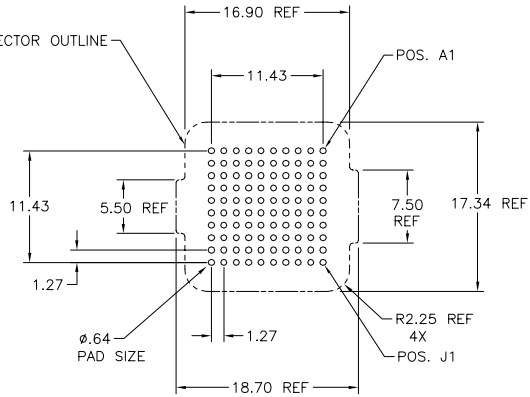
2. OVERALL BOARD-TO-BOARD STACK
HEIGHT WHEN MATED TO P/N 84512
100 POSITION 0mm RECPT. IS 4.0mm REF.

3. PLATING FOR -2XX SERIES DASH NOS. MEETS
THE REQUIREMENTS OF NORTEL NPS25298-2
(CENTRAL OFFICE ENVIRONMENT, 25 YEAR
LIFE EXPECTANCY).

④ FOR PROPER APPLICATION FOLLOW FCI APPLICATION
SPECIFICATION GS-20-033 LEAD FREE SOLDER BALLS WILL
NOT SOLDER PROPERLY IN A LEADED SOLDER PROCESS
DUE TO A HIGHER REFLOW TEMPERATURE. LEAD FREE
PRODUCT IS THEREFORE NOT BACKWARDS COMPATIBLE WITH
LEADED OR SOME SOLDERING APPLICATIONS. REFERENCE
FCI APPLICATION SPECIFICATION

⑤ THIS PRODUCT MEETS EUROPEAN UNION DIRECTIVES AND
OTHER COUNTRY REGULATIONS AS DESCRIBED IN GS-22-008
PRODUCT MEETING THIS DIRECTIVE IS IDENTIFIED IN THE LOT
CODE NUMBER MARKED ON EACH PART BY HAVING AN "X"
IN THE SEVENTH CHARACTER POSITION

STENCIL MATED CONNECTOR OUTLINE
ONTO BOARD.



BOARD PATTERN

mat'l code		surface		tolerance		projection		product family	
		ASME Y14.5		ASME Y14.5				MEG-Array	
tr		ecn no		date				title	
H						MM		4mm RECPT. ASSY.	
				tolerances unless otherwise specified				10 X 10 = 100 POS.	
				angles		1:1		sheet 2 of 3	
								size	
				or ±2?				A4	
								sheet	
				dr		D.WAUGHEN		3-8-00	
				engr		B.SPINK		3-8-00	
				chr		B.SPINK		3-8-00	
				appd		B.SPINK		3-8-00	
sheet		revision						type	
index		sheet						CUSTOMER Drawing	

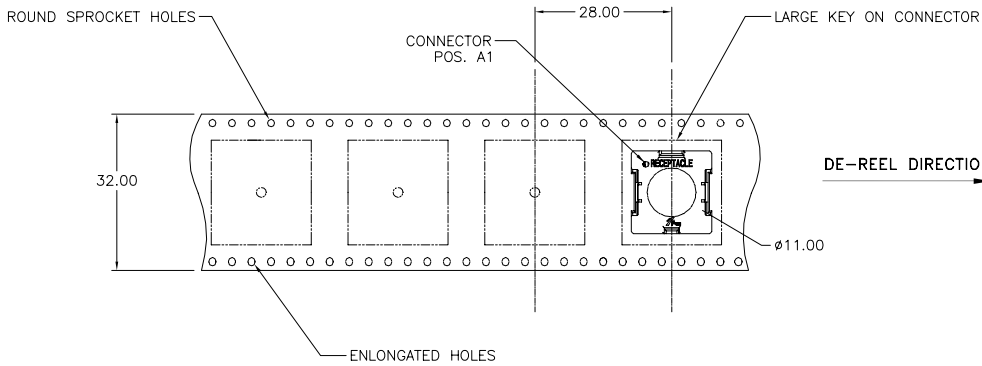
Copyright FCI



1 | 2

3

4



mat'l. code		surface		tolerance		projection		product family	
-		ASME Y14.5		ASME Y14.5				MEG-Array	
ltr	ec'n no	dr	date	tolerances unless otherwise specified					
H				angles	X +3		MM		
				or ±2°	.XX +10		scale 1:1		
					.XXX +050				
		dr	D.WAUGHEN	3-8-00	title				
		engr	B.SPINK	3-8-00	4mm RECPT. ASSY.				
		chr	B.SPINK	3-8-00	10 X 10 = 100 POS.				
		appd	B.SPINK	3-8-00	dwg no 84513 sheet 3 of 3 size A4				
sheet	revision	type CUSTOMER Drawing							
index	sheet								

form: A4mmX1c

1

2

3

4

PDM: Rev:H

STATUS:Released

Printed: Dec 01, 2010