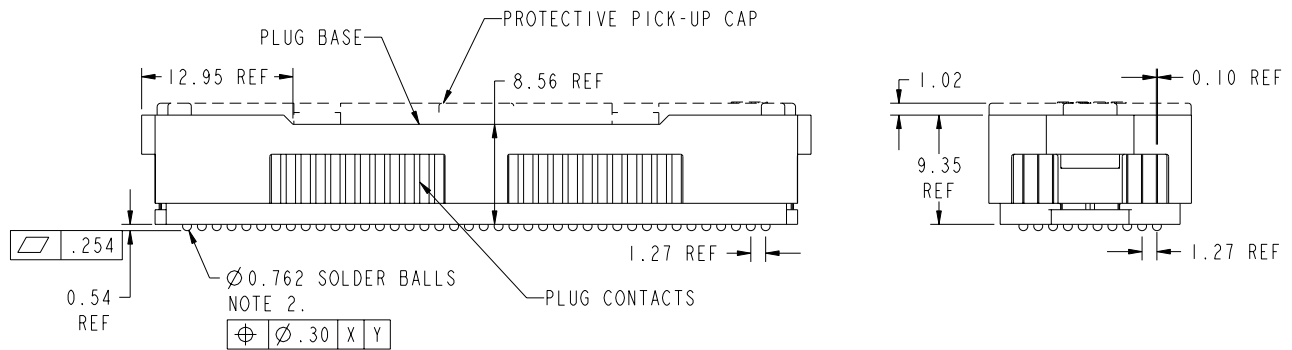
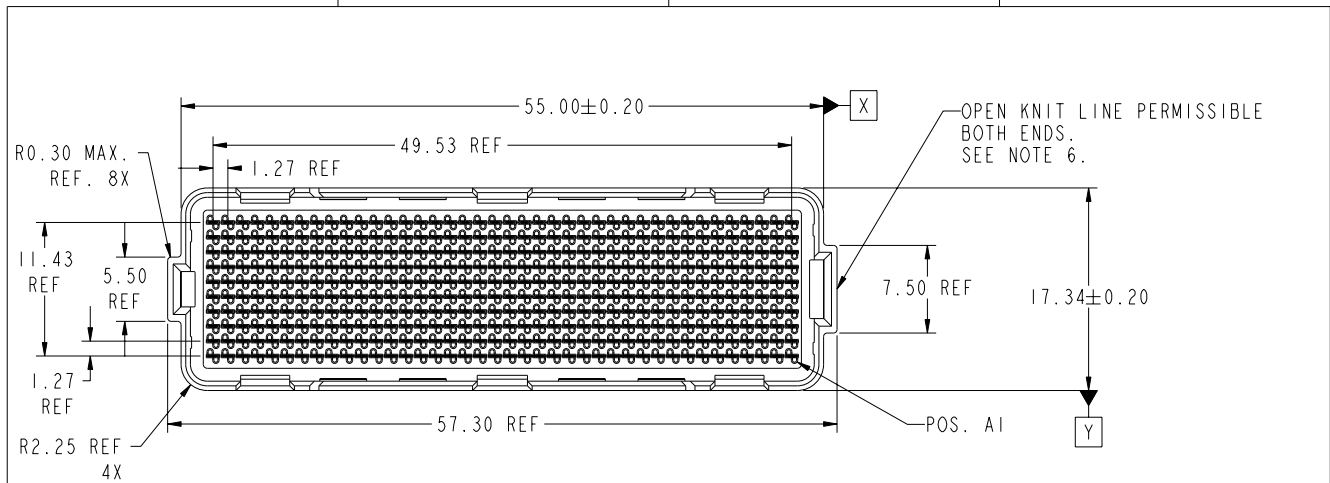




This document is the property of and embodies CONFIDENTIAL and PROPRIETARY information of FCJ. No part of the information shown on this document may be used in any way or disclosed to others without the written consent of FCJ. Copyright FCJ.



mat'l code				SEE NOTE 1.		tolerances unless otherwise specified		CUSTOMER		FCJ	
ltr	ecm no.	dr	date	linear	0.X ±0.3	projection	COPY		www.fcjconnect.com		
A	V00195	DRW	7-20-00		0.XX ±0.13		title		6.0mm PLUG ASSY.		
B	V20006	DRW	1-4-02		.XXX ±.051		10 X 40= 400 POS.				
C	V20932	DRW	5-22-02	angles	0° ±2°		product family		MEG-ARRAY		
D	V03-0681	DAI	06/20/03	dr	D. WAUGHEN		8-10-99	size		213	
E	V04-0940	VS	12/11/04	chr	M. SPINK	8-10-99	scale		A		
F	V06-0560	LP	2006/07/14	oppd	M. SPINK	8-10-99	2:1		84520		
sheet index	revision	F	F	F	F	F			1 of 5		
	sheet	1	2	3	4	5			code		

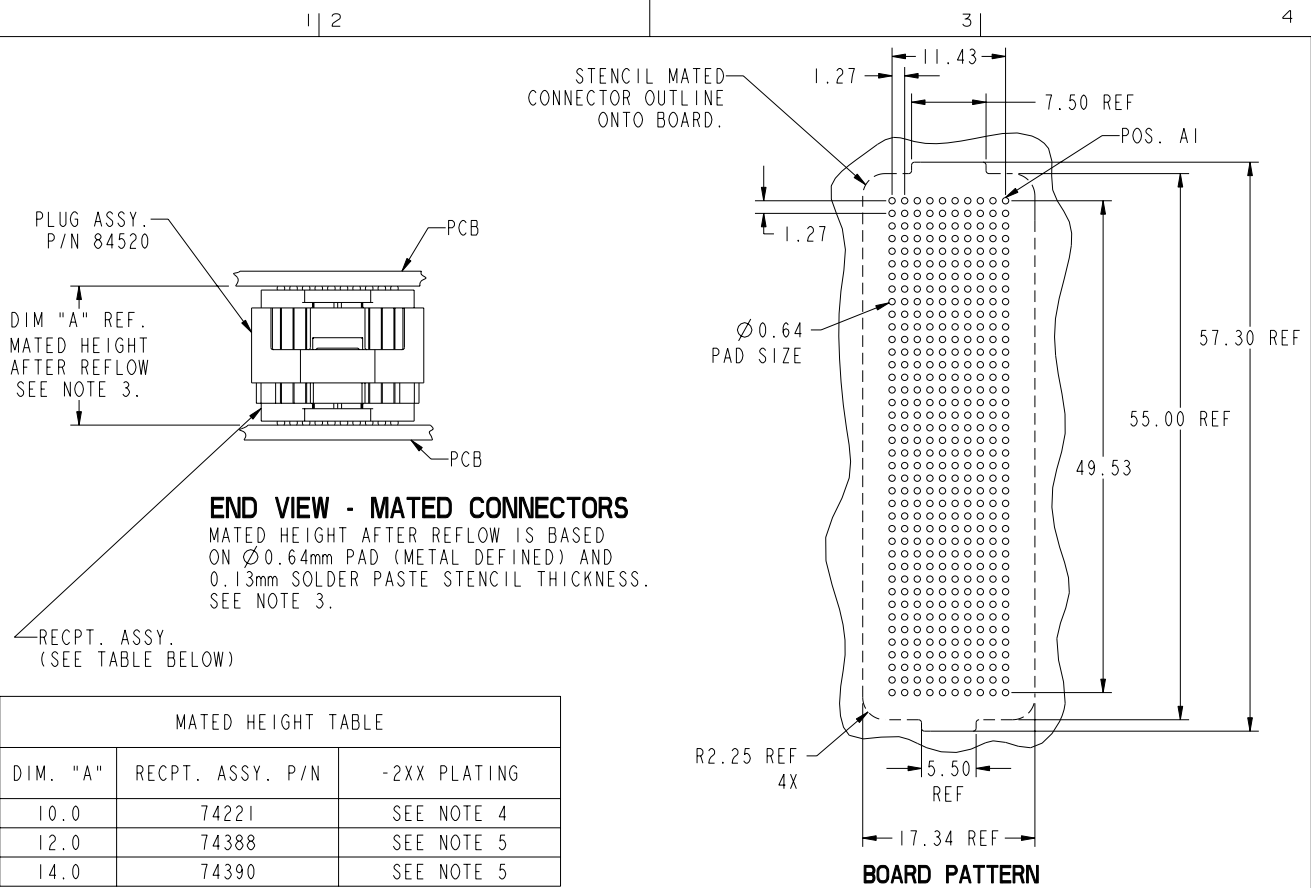
REV E - 2006-04-18

1 | 2 Pro/E 3 | 4 cage code 22526 4

PDM: Rev:F STATUS:Released Printed: Dec 01, 2010



This document is the property of and embodies
 CONFIDENTIAL and PROPRIETARY information of FCJ.
 No part of the information shown on this
 document may be used in any way or disclosed
 to others without the written consent of FCJ.
 Copyright FCJ.



END VIEW - MATED CONNECTORS
 MATED HEIGHT AFTER REFLOW IS BASED
 ON Ø0.64mm PAD (METAL DEFINED) AND
 0.13mm SOLDER PASTE STENCIL THICKNESS.
 SEE NOTE 3.

MATED HEIGHT TABLE		
DIM. "A"	RECPT. ASSY. P/N	-2XX PLATING
10.0	74221	SEE NOTE 4
12.0	74388	SEE NOTE 5
14.0	74390	SEE NOTE 5

RECPT. ASSY.
(SEE TABLE BELOW)

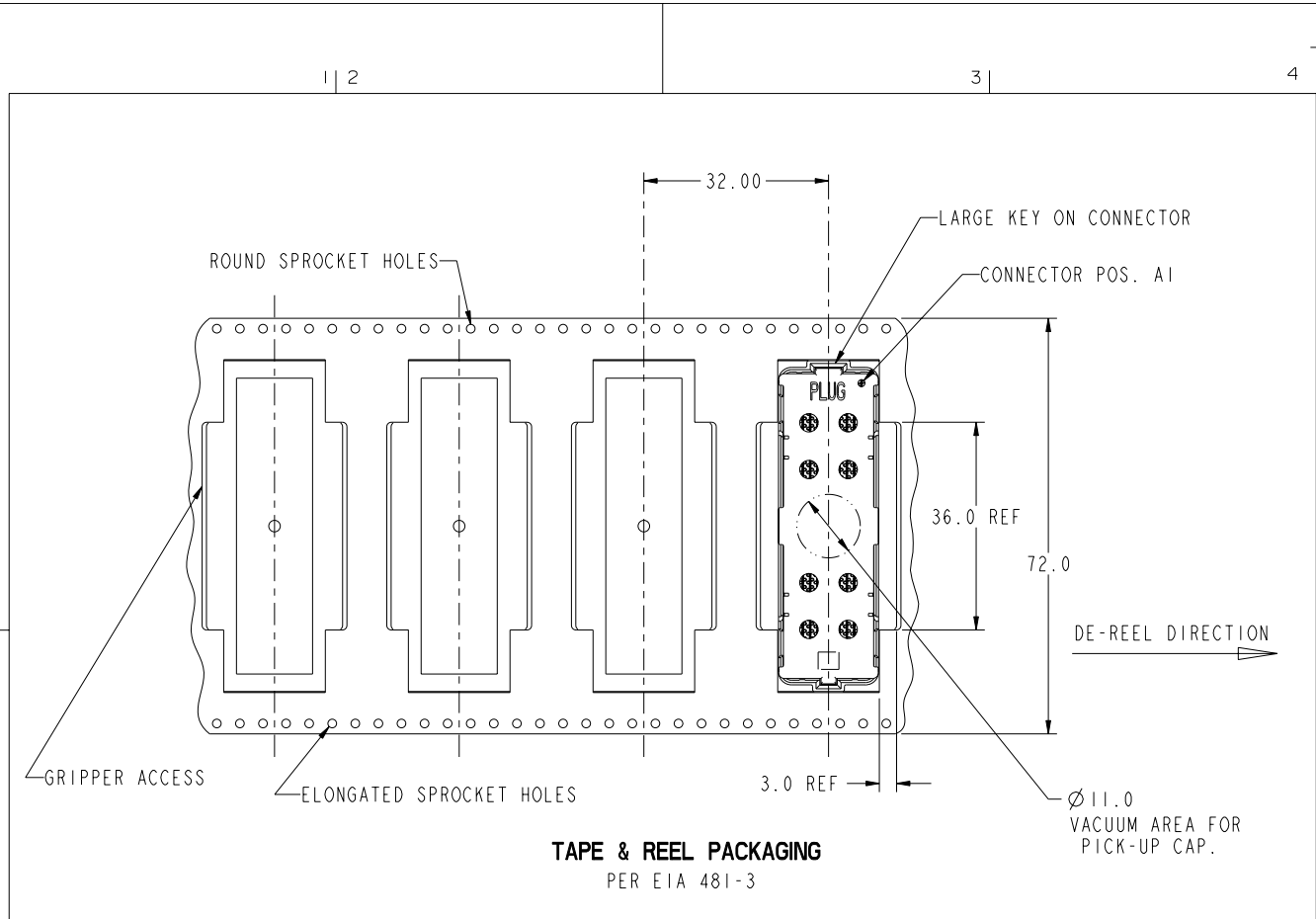
mat'l code		SEE NOTE 1	tolerances unless otherwise specified		CUSTOMER		FCJ		www.fcjconnect.com		
ltr	ecn no.	dr	date	linear	0.X ±0.3	COPY	projection	title	6.0mm PLUG ASSY. 10 X 40= 400 POS.		
				angles	.XXX ±.051			product family	MEG-ARRAY		
				dr	0° ±2°			size	dwg no	213	
				enr	D. WAUGHEN 8-10-99			scale	84520	sheet	
				chr	W. SPINK 8-9-99			17:10		2	
				oppd	W. SPINK 8-10-99						
sheet index	revision sheet										

REV E - 2006-04-18

Pro/E 3 cage code 22526 4
PDM: Rev:F STATUS: **Released** Printed: Dec 01, 2010



This document is the property of and embodies CONFIDENTIAL and PROPRIETARY information of FCJ. No part of the information shown on this document may be used in any way or disclosed to others without the written consent of FCJ. Copyright FCJ.



TAPE & REEL PACKAGING
PER EIA 481-3

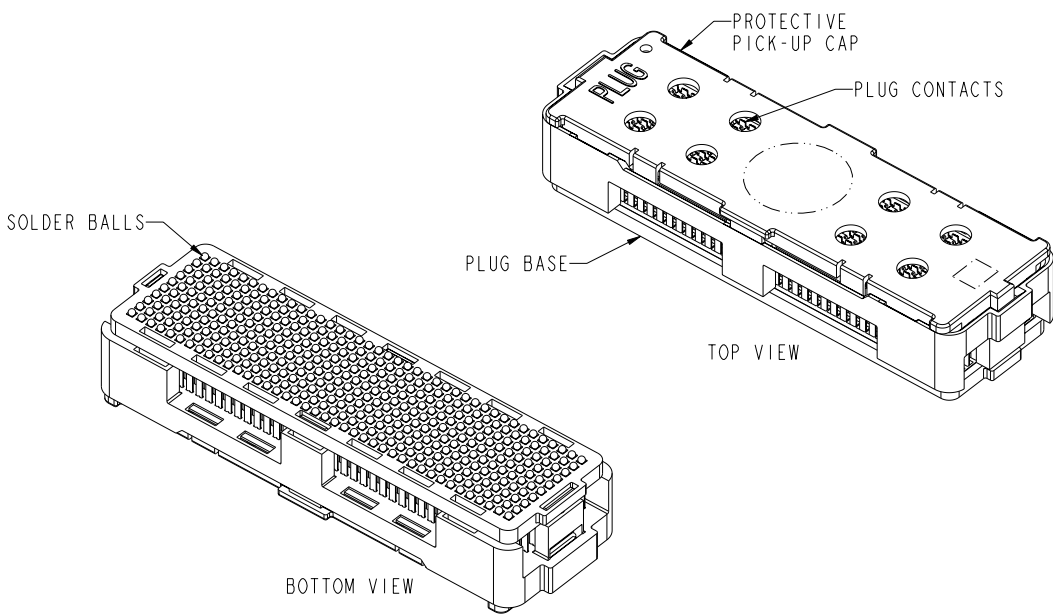
mat'l code		SEE NOTE 1		tolerances unless otherwise specified		CUSTOMER		FCJ www.fcjconnect.com	
ltr	ecm no.	dr	date	linear	0.X ± 0.3	projection	title 6.0mm PLUG ASSY. 10 X 40= 400 POS.		
				angles	.XXX ± .051	 MM 5:1	product family MEG-ARRAY		code 213
				dr	D. WAUGHEN 8-10-99		size	dwg no 84520	sheet 3
				enr	W. SPINK 8-9-99				
				chr	W. SPINK 8-10-99				
				appd	W. SPINK 8-10-99				
sheet index	revision sheet								

REV E - 2006-04-18

Pro/E 3 cage code 22526 4
PDM: Rev:F STATUS: **Released** Printed: Dec 01, 2010



This document is the property of and embodies CONFIDENTIAL and PROPRIETARY information of FCJ. No part of the information shown on this document may be used in any way or disclosed to others without the written consent of FCJ. Copyright FCJ.



mat'l code		SEE NOTE 1.		tolerances unless otherwise specified		CUSTOMER		www.fcjconnect.com	
ltr	ecm no.	dr	date	linear	0.X ±0.3	projection	COPY		
F					0.XX ±0.13		title 6.0mm PLUG ASSY.		
				angles	.XXX ±.051		10 X 40= 400 POS.		
				dr	D. WAUGHEN 8-10-99		product family MEG-ARRAY		code
				enr	W. SPINK 8-9-99		size	213	
				chr	W. SPINK 8-10-99		scale	4	
				oppd	W. SPINK 8-10-99		17:10	sheet	
sheet index	revision sheet						84520		4

cage code 22526 4

Pro/E

PDM: Rev:F

STATUS: Released

Printed: Dec 01, 2010

PRODUCT NUMBER	PICK-UP CAP	CONTACT PLATING	SOLDER BALL
84520-002	YES	15u"/(.38um) Au OVER Ni	SnPb
84520-002LF			SnAgCu LEAD FREE ⑦⑧
84520-102	YES	30u"/(.76um) Au OVER Ni	SnPb
84520-102LF			SnAgCu LEAD FREE ⑦⑧
84520-202	YES	SEE MATED HEIGHT TABLE ON SHEET 2	SnPb
84520-202LF			SnAgCu LEAD FREE ⑦⑧

NOTES:

- ①. MAT'L:
HOUSING: LCP
CONTACT: COPPER ALLOY
- ②. SOLDER BALLS WILL NOT BE PERFECT SPHERICAL SHAPE DUE TO REFLOW ATTACHMENT.
- ③. MATED HEIGHT EFFECTED BY CUSTOMER'S PCB PAD SIZE, PLATING, SOLDER REFLOW PROFILE & SOLDER PASTE.
- ④. PLATING FOR INDICATED -2XX SERIES PART NOS. MEETS THE REQUIREMENTS OF NORTEL NPS25298-2 (CENTRAL OFFICE ENVIRONMENT, 25 YEAR LIFE EXPECTANCY).
- ⑤. PLATING FOR INDICATED -2XX SERIES PART NOS. IS Au OVER Ni WITH SPECIAL CONTACT GEOMETRY TO MEET REQUIREMENTS OF TELCORDIA GR-1217-CORE: CENTRAL OFFICE ENVIRONMENT.
- ⑥. KNIT LINE: SLIGHT VISIBLE MARKS (USUALLY A LINE) INDICATING THE DIRECTION AND MEETING POINT OF PLASTIC RESIN FLOW FRONTS TRAVELING AROUND ANY OBSTRUCTIONS TO THE RESIN FLOW VIA THE REQUIRED MOLD TOOLING.
- ⑦. FOR PROPER APPLICATION FOLLOW FCJ APPLICATION SPECIFICATION GS-20-033. LEAD FREE SOLDER BALLS WILL NOT SOLDER PROPERLY IN A LEADED SOLDER PROSESS DUE TO A HIGHER REFLOW TEMPERATURE LEAD FREE PRODUCT IS THEREFORE NOT BACKWARDS COMPATIBLE WITH LEADED OR SOME SOLDERING APPLICATIONS. REFERENCE FCJ APPLICATION SPECIFICATION
- ⑧. THIS PRODUCT MEETS EUROPEAN UNION DIRECTIVE AND OTHER COUNTRY REGULATIONS AS DESCRIBED IN GS-22-008. PRODUCT MEETING THIS DIRECTIVE IS IDENTIFIED IN THE LOT CODE NUMBER MARKED ON EACH PART BY HAVING AN "X" IN THE SEVENTH CHARACTER POSITION

mat'l code		tolerances unless otherwise specified		CUSTOMER		FCJ		www.fcjconnect.com	
lfr	ecm no.	dr	date	linear	projection	COPY		title	
F								6.0mm PLUG ASSY. 10 X 40= 400 POS.	
				angles		product family		MEG-ARRAY	
				dr	D. WAUGHEN	8-10-99	size	dwg no	code
				engr	W. SPINK	8-9-99	A	84520	213
				chr	W. SPINK	8-10-99	scale		sheet
				oppd	X.XXXXX	8-10-99	2:1		5
sheet index	revision sheet								



This document is the property of and embodies CONFIDENTIAL and PROPRIETARY information of FCJ. No part of the information shown on this document may be used in any way or disclosed to others without the written consent of FCJ. Copyright FCJ.