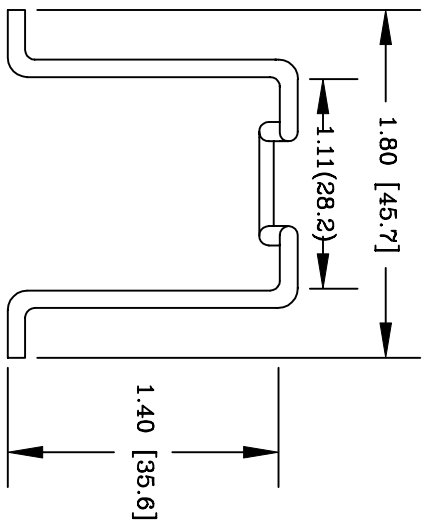
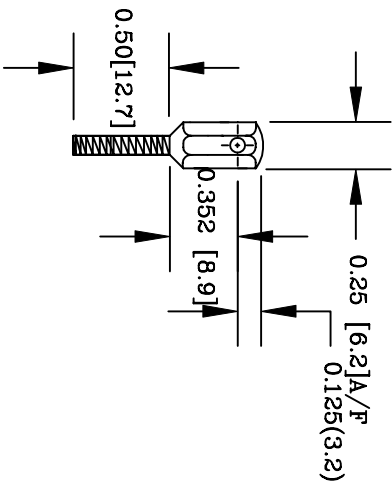


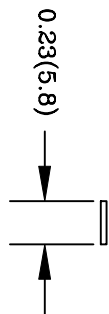
Revision			
Rev.	Description	Date	Approved



CLIP
.072" Dia. Stainless Steel Wire



SCREW
6 BA Brass, Nickel Plated



WASHER
26 S.W.G. Brass, Nickel Plated



HEX NUT
6 BA, .193 A / F x .100" Thick
Brass Nickel Plated

Dim range (mm)		Tolerance +/- (mm)		Qualtek Electronics Corp. PPC DIVISION Part Number: 731-00/00		
0-1		0.15		Description: RETAINER CLIP KIT Drawn/Date: K.Huang 10-21-98 Checked/Date: 10-21-98 Approved/Date: JJH/10-21-98		
1-6		0.20				
6-18		0.30				
18-50		0.50				
50-120		0.70				
120-250		0.90				
250-500		1.20				