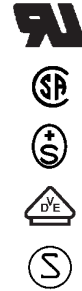


Actual information about approvals can be found on  
<http://www.schurter.com/approvals>



### Description

- Panel mount:
- Snap-in version from front side
- 2 Functions:
- Connector, Outlet, Pin temperature 70 °C, Protection class I
- Quick-connect terminals 4.8 x 0.8 mm

### Characteristics

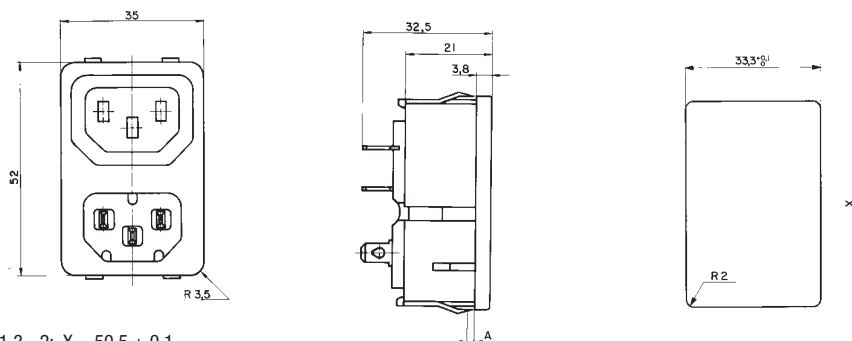
- Qualified for use in equipment according IEC/EN 60950

### Technical data

Ratings IEC	10 A / 250 VAC; 50 Hz
Ratings UL/CSA	10 A / 125 VAC; 60 Hz
Dielectric strength	> 2 kVAC between L-N > 2 kVAC between L/N-PE (1 min/50 Hz)
Allowable operation temp.	-25 °C to 70 °C
Degree of protection	from front side IP30 acc. to IEC 60529
Protection class	Suitable for appliances with protection class I acc. to IEC 61140

Terminals	Quick-connect terminals 4.8 x 0.8 mm Solder terminal on request
Panel thickness s	Snap-in 0.8 mm to 2 mm
Materials: Housing	Thermoplastic, black, UL 94V-0
Appliance-inlet /-outlet	C14 acc. to IEC/EN 60320-1, F acc. to IEC/EN 60320-2-2, UL 498 CSA C22.2 no. 42 (for cold condition) pin-temperature 70 °C, 10 A, Protection class I

### Dimensions



A = 1,3 - 2: X = 50,5 + 0,1

A = 0,8 - 1,2: X = 50,3 + 0,1

### Variants

Order Number	Type
4300.0301	0712

Packaging unit 50 Pcs