

Inlet filter, front side mounting, fuseholder 5x20 mm

Plug removal necessary for fuse

replacement



Type 5200, Fuseholder 1-pole with spare compartment

C14



70° C

Type 5200, Fuseholder 1-pole with spare compartment

Typ 5220, Fuseholder 2-pole



Description

- Panel Mount:
 - Snap-in or screw-on mounting from front side
- 3 Functions:
 - Inlet Protection class I, Fuseholder for fuse-links 5 x 20 mm 1-pole [5200]; 2-pole [5220], Line filter in standard and medical version
 - Quick connect terminals 6.3 x 0.8 mm
 - Alternative: version without line filter 6200; 6220

Approvals

- VDE License Number: 101307
- UL License Number: E72928

Characteristics

- All single elements are already wired
- Plug removal necessary for fuse-link replacement
 - Fuse drawer meets requirements of medical standard IEC/EN 60601-1
 - The fuseholder is accessible from the equipment front
- Qualified for use in equipment according IEC/EN 60950

References

General Product Information see page 282

Weblinks

Approvals:
RoHS:

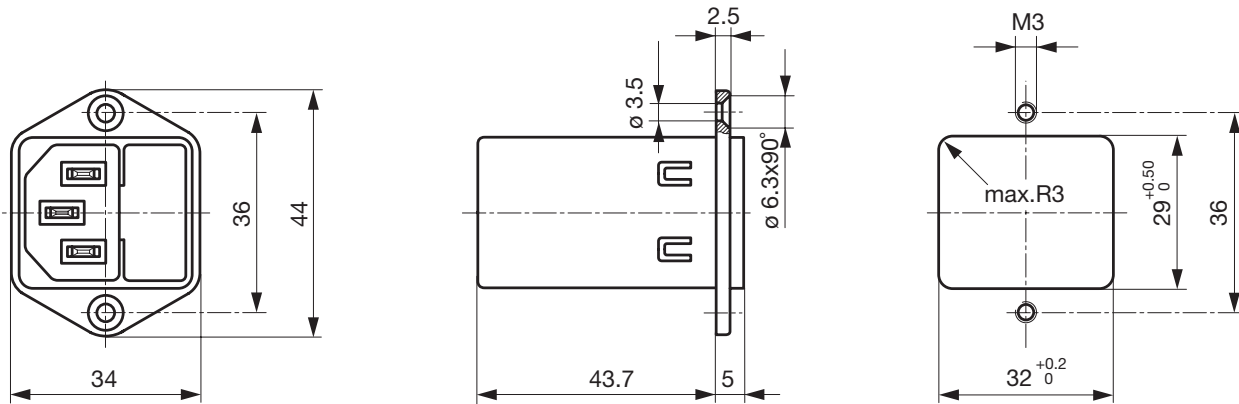
Technical Data

Ratings IEC	1 - 10 A @ Ta 40 °C / 250 VAC; 50 Hz
Ratings UL/CSA	1 - 10 A @ Ta 40 °C / 125 VAC; 60 Hz
Leakage Current	standard < 0.5 mA (250 V / 60 Hz) medical < 5 µA (250 V / 60 Hz)
Dielectric Strength	> 1.7 kVDC between L-N > 2.7 kVDC between L/N-PE Test voltage (2 sec)
Allowable Operation Temp.	-25 °C to 85 °C
Climatic Category	25/085/21 acc. to IEC 60068-1
Degree of Protection	from front side IP 40 acc. to IEC 60529
Protection Class	Suitable for appliances with protection class I acc. to IEC 61140
Terminals	Quick connect terminals 6.3 x 0.8 mm
Panel Thickness s	Screw-on: max 8 mm Mounting screw torque max 0.5 Nm Snap-in: 0.8 mm to 3 mm
Material: Housing	Thermoplastic, Black, UL 94V-0

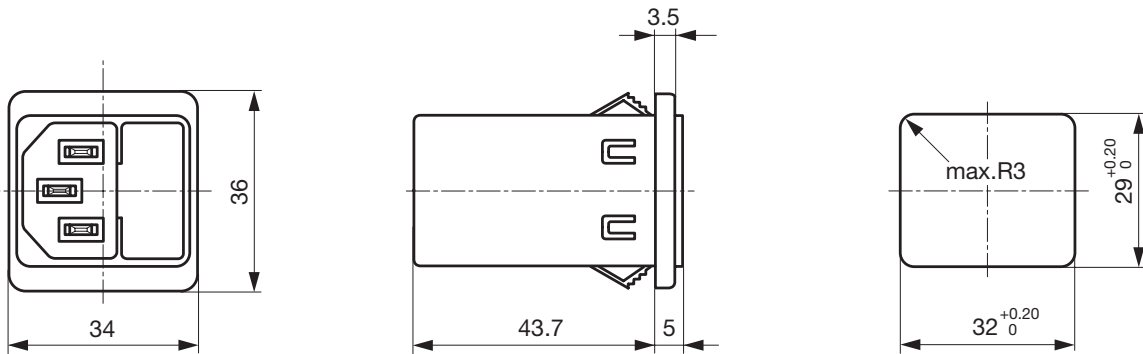
Appliance-Inlet /-Outlet	C14 acc. to IEC/EN 60320-1, UL 498, CSA C22.2 no. 42 (for cold condition) pin-temperature 70 °C, 10 A, Protection class I
Fuseholder [5200]	1-pole, Shocksafe category PC2 acc. to IEC 60127-6, for fuse-links 5 x 20 mm
Fuseholder [5220]	2-pole, Shocksafe category PC2 acc. to IEC 60127-6, for fuse-links 5 x 20 mm
Rated Power Acceptance @ Ta 23 °C [5200]	5 x 20: 2 W (1-pole)
Rated Power Acceptance @ Ta 23 °C [5220]	5 x 20: 1.6 W (2-pole)
Power Acceptance @ Ta > 23°C	Admissible power acceptance at higher ambient temperature see derating curves
Line Filter	Standard and Medical Version, IEC 60939, IEC 60601-1, UL 1283, UL 544, EN 133 200, CSA C22.2 no. 8 Technical details see WEBXXX
MTBF	> 2'300'000 h acc. to MIL-HB-217 F

Dimensions

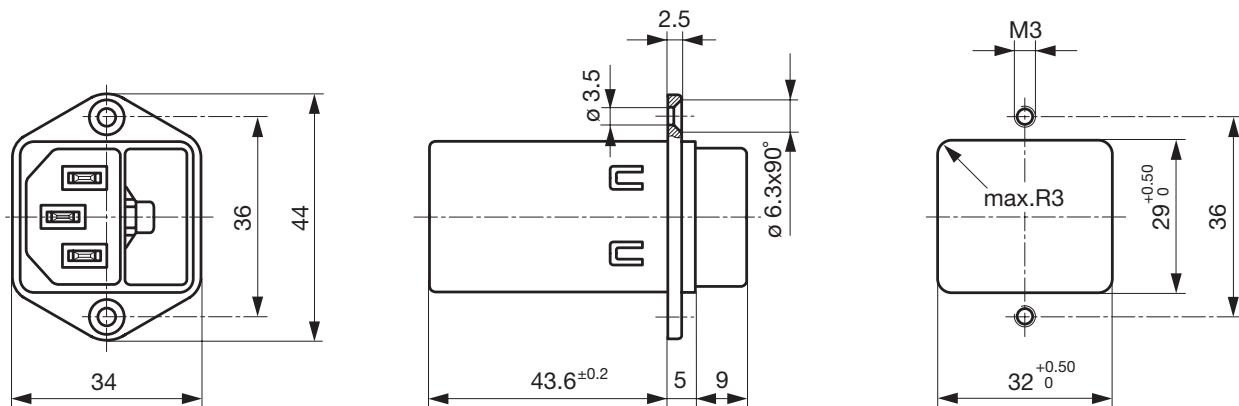
Screw-on mounting type 5200

Length  48.7 mm

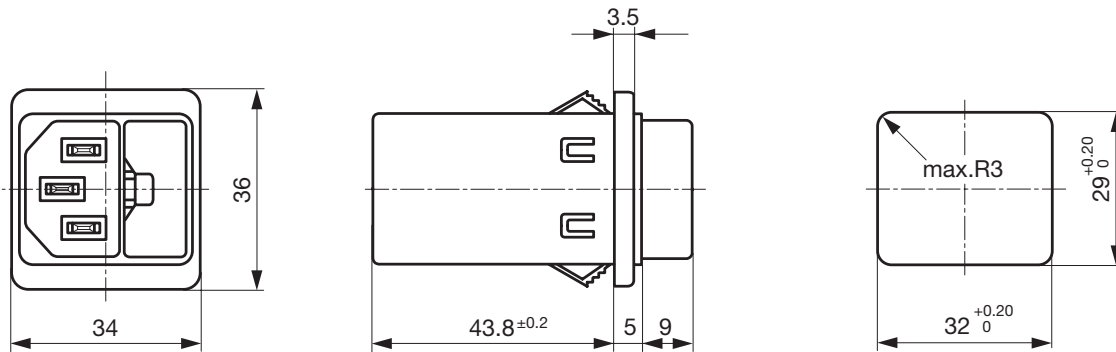
Snap-in mounting type 5200



Screw-on mounting type 5220



Snap-in mounting type 5220



Technical Data of Filter-Components

Rated Current [A]	Filter-Type	Inductances	Capacitance	Capacitance	R [MΩ]
		L [mH]	CX [nF]	CY [nF]	
1	Standard Version	2 x 11	47	2.2	
2	Standard Version	2 x 4	47	2.2	
4	Standard Version	2 x 1.6	47	2.2	
6	Standard Version	2 x 0.7	47	2.2	
8	Standard Version	2 x 0.6	47	2.2	
10	Standard Version	2 x 0.4	47	2.2	
1	Medical Version (M5)	2 x 11	47		1
2	Medical Version (M5)	2 x 4	47		1
4	Medical Version (M5)	2 x 1.6	47		1
6	Medical Version (M5)	2 x 0.7	47		1
8	Medical Version (M5)	2 x 0.6	47		1
10	Medical Version (M5)	2 x 0.4	47		1

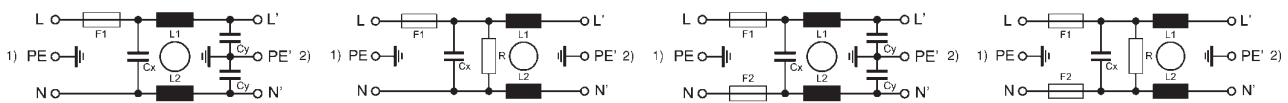
Diagrams

5200 Standard version

5200 Medical version

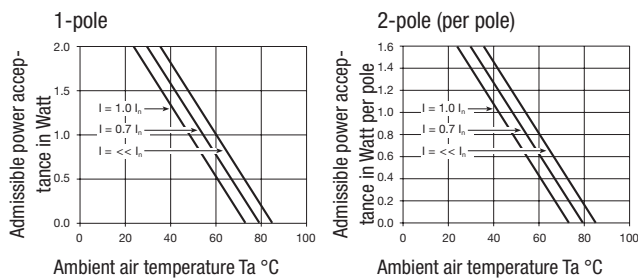
5220 Standard version

5220 Medical version



- 1) Line
- 2) Load

Derating curves

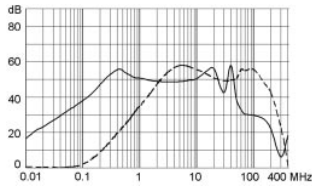


Attenuation loss

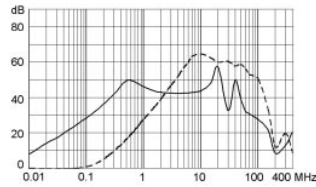
- - - differential mode _____ common mode

Standard version

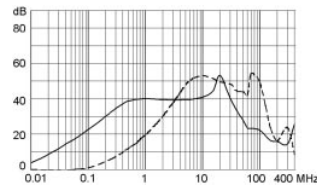
1 A



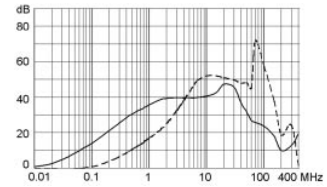
2 A



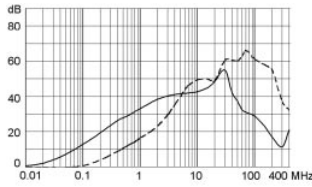
4 A



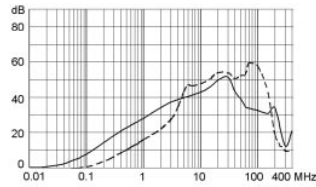
6 A



8 A

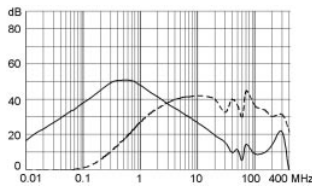


10 A

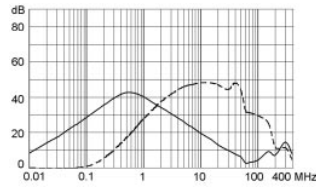


Medical version (M5)

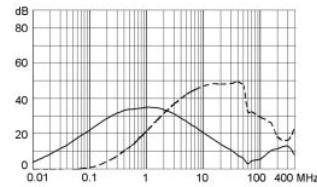
1 A



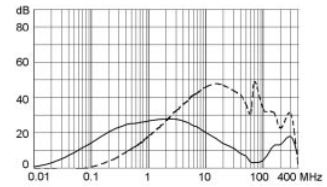
2 A



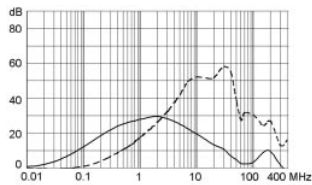
4 A



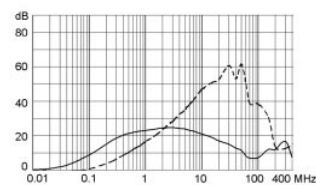
6 A



8 A



10 A



Variants

Socket and fuse-carrier included

Rated Current [A]	Filter-Type	Panel mounting	Fuseholder	Order Number
1	Standard Version	Snap-in	1-pole	5200.0143.1
2	Standard Version	Snap-in	1-pole	5200.0243.1
4	Standard Version	Snap-in	1-pole	5200.0443.1
6	Standard Version	Snap-in	1-pole	5200.0643.1
8	Standard Version	Snap-in	1-pole	5200.0843.1
10	Standard Version	Snap-in	1-pole	5200.1043.1
1	Standard Version	Screw-on	1-pole	5200.0123.1
2	Standard Version	Screw-on	1-pole	5200.0223.1
4	Standard Version	Screw-on	1-pole	5200.0423.1
6	Standard Version	Screw-on	1-pole	5200.0623.1
8	Standard Version	Screw-on	1-pole	5200.0823.1
10	Standard Version	Screw-on	1-pole	5200.1023.1
1	Medical Version (M5)	Snap-in	1-pole	5200.0143.3
2	Medical Version (M5)	Snap-in	1-pole	5200.0243.3
4	Medical Version (M5)	Snap-in	1-pole	5200.0443.3
6	Medical Version (M5)	Snap-in	1-pole	5200.0643.3
8	Medical Version (M5)	Snap-in	1-pole	5200.0843.3

Rated Current [A]	Filter-Type	Panel mounting	Fuseholder	Order Number
10	Medical Version (M5)	Snap-in	1-pole	5200.1043.3
1	Medical Version (M5)	Screw-on	1-pole	5200.0123.3
2	Medical Version (M5)	Screw-on	1-pole	5200.0223.3
4	Medical Version (M5)	Screw-on	1-pole	5200.0423.3
6	Medical Version (M5)	Screw-on	1-pole	5200.0623.3
8	Medical Version (M5)	Screw-on	1-pole	5200.0823.3
10	Medical Version (M5)	Screw-on	1-pole	5200.1023.3
1	Standard Version	Snap-in	2-pole	5220.0143.1
2	Standard Version	Snap-in	2-pole	5220.0243.1
4	Standard Version	Snap-in	2-pole	5220.0443.1
6	Standard Version	Snap-in	2-pole	5220.0643.1
8	Standard Version	Snap-in	2-pole	5220.0843.1
10	Standard Version	Snap-in	2-pole	5220.1043.1
1	Standard Version	Screw-on	2-pole	5220.0123.1
2	Standard Version	Screw-on	2-pole	5220.0223.1
4	Standard Version	Screw-on	2-pole	5220.0423.1
6	Standard Version	Screw-on	2-pole	5220.0623.1
8	Standard Version	Screw-on	2-pole	5220.0823.1
10	Standard Version	Screw-on	2-pole	5220.1023.1
1	Medical Version (M5)	Snap-in	2-pole	5220.0143.3
2	Medical Version (M5)	Snap-in	2-pole	5220.0243.3
4	Medical Version (M5)	Snap-in	2-pole	5220.0443.3
6	Medical Version (M5)	Snap-in	2-pole	5220.0643.3
8	Medical Version (M5)	Snap-in	2-pole	5220.0843.3
10	Medical Version (M5)	Snap-in	2-pole	5220.1043.3
1	Medical Version (M5)	Screw-on	2-pole	5220.0123.3
2	Medical Version (M5)	Screw-on	2-pole	5220.0223.3
4	Medical Version (M5)	Screw-on	2-pole	5220.0423.3
6	Medical Version (M5)	Screw-on	2-pole	5220.0623.3
8	Medical Version (M5)	Screw-on	2-pole	5220.0823.3
10	Medical Version (M5)	Screw-on	2-pole	5220.1023.3

Packaging unit

10 Pcs