

IEC Appliance Connector C14 with Fuseholder and Line Switch 1- or 2-pole

Plug removal necessary for fuse replacement



Snap-In Version

Snap-In Version

**Description**

- Panel Mount:
Snap-in version from front side
- 3 Functions:
Appliance Inlet Protection class I, Line switch 2-pole, Fuseholder for fuse-links 5 x 20 mm 1- or 2-pole
- Quick connect terminals 4.8 x 0.8 mm
- Alternative: version with line filter [KMF](#)
- Alternative: version for screw mounting [DD11](#)
- With cover on rear-side

Approvals

- VDE License Number: 40021981
- UL License Number: E93617

Characteristics

- Ultra-compact design. Small dimensions in front of and behind the panel
- All single elements are already wired
- For added safety "Extra-Safe" fuse drawers are available
Fuse drawer meets requirements of medical standard IEC/EN 60601-1
The fuse drawer can only be opened with the aid of a tool
The fuseholder is accessible from the equipment front
- Ideal for application with high transient loads
- Qualified for use in equipment according IEC/EN 60950

Other versions on request

- Fuse drawer 1-pole, plus spare fuse case
- Fuse drawer 2-pole, with shorting bar
- Line switch 1-pole
- Other rocker marking
- Protection class II, 70°C

Weblinks

[Approvals](#), [RoHS](#), [CHINA-RoHS](#), [e-Store](#), [SCHURTER-Stock-Check](#), [Distributor-Stock-Check](#)

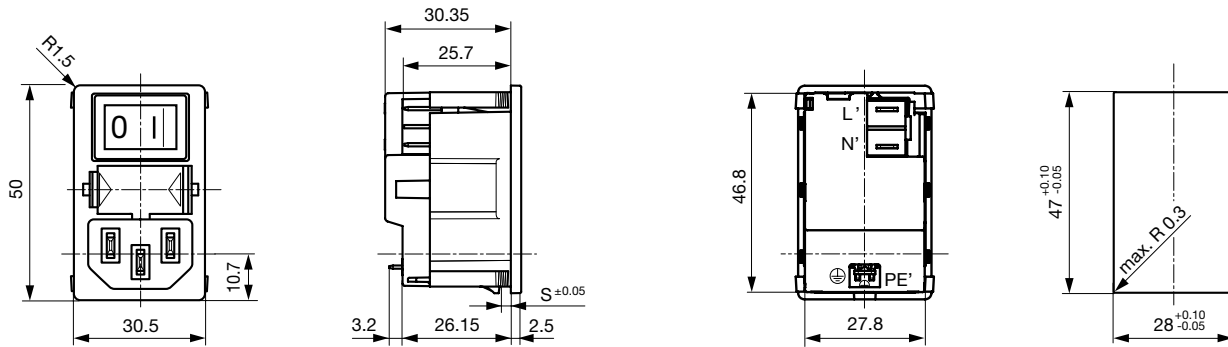
Technical Data

| | |
|---------------------------|---|
| Ratings IEC | 10A / 250VAC; 50Hz |
| Ratings UL/CSA | 10A / 250VAC; 60Hz |
| Dielectric Strength | > 2.5kVAC between L-N > 3kVAC between L/N-PE (1 min/50Hz) |
| Allowable Operation Temp. | -25°C to 70°C |
| Degree of Protection | from front side IP 40 acc. to IEC 60529 |
| Protection Class | Suitable for appliances with protection class I acc. to IEC 61140 |
| Terminal | Quick connect terminals 4.8 x 0.8 mm, tin-plated |
| Panel Thickness s | Snap-in: 1/ 1.5/ 2/ 2.5 mm (all steps with one variant) |
| Material: Housing | Thermoplastic, black, UL 94V-0 |

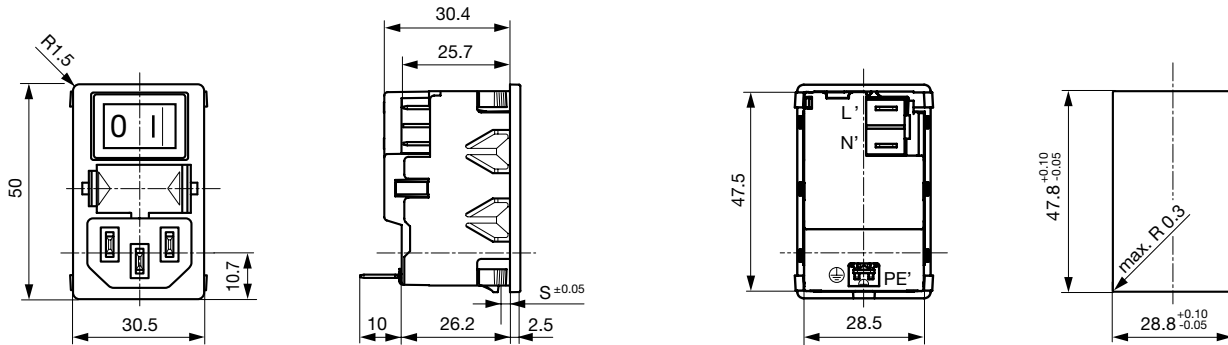
| | |
|-----------------------------------|--|
| Appliance-Inlet/-Outlet | C14 acc. to IEC/EN 60320-1, UL 498, CSA C22.2 no. 42 (for cold conditions) pin-temperature 70 °C, 10A, Protection class I |
| Fuseholder | 1 or 2 pole, Shocksafe category PC2 acc. to IEC 60127-6, for fuse-links 5 x 20mm |
| Rated Power Acceptance @ Ta 23 °C | 5 x 20: 2W (1 pole)/ 1.4W (2-pole) per pole Choose fuse-links for 2-pole version in such a way that the typical power acceptance is less than 1.4 W for each pole |
| Power Acceptance @ Ta > 23°C | Admissible power acceptance at higher ambient temperature see derating curves |
| Line Switch | Rocker switch 2-pole, non-illuminated, acc. to IEC 61058-1 Technical details |

Dimensions KM without shield

Length  50 mm

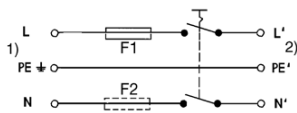


KM with shield



Diagrams

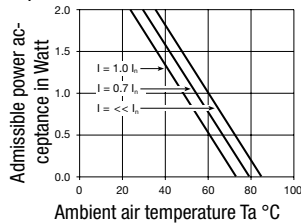
Fuseholder 1- or 2- pole



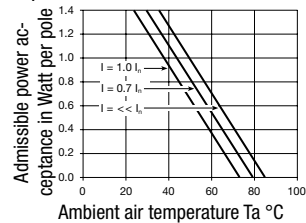
- 1) Line
- 2) Load

Derating Curves

1-pole



2-pole




Variants

Fuse drawer must be ordered separately (see accessories).
Fingerrip and Extra Safe. The same drawer as used by type KEA.

| Fuseholder | Line Switch | EMC-Shielding | Order Number |
|------------|-------------|---|--------------|
| 1 pole | 2-pole | - | KM00.1205.11 |
| 2-pole | 2-pole | - | KM00.1105.11 |
| 1 pole | 2-pole | With EMC-shield and without line filter | KM01.1205.11 |
| 2-pole | 2-pole | With EMC-shield and without line filter | KM01.1105.11 |

Packaging unit 50 Pcs


Required Accessory

| Description | | |
|---|--------------------|-----------|
| Fusedrawer 2 Fusedrawer with and without voltage selector insert | | |
|  | Fingerrip, 2-pole | 4301.1401 |
| | Extra-Safe, 2-pole | 4301.1403 |
| | Fingerrip, 1 pole | 4301.1405 |
| | Extra-Safe, 1 pole | 4301.1407 |
| | ... | ... |

Accessory

| | | |
|---|---|-----------|
|  | Assorted Covers Rear Cover | 0859.0076 |
|  | Cord retaining kits Cord retaining strain relieve | |
| | Flat head, A | 4700.0001 |

Mating Outlets/Connectors

| Category / Description | | |
|---|---|------|
|  | Appliance Outlet | |
| | IEC appliance outlet F, screw-on mounting, front side, solder /quick connect terminal | 4787 |
| | IEC appliance outlet F, screw-on mounting, front side, solder /quick connect terminal | 4788 |
| | IEC appliance outlet F oder H, screw-on mounting, front side, solder/PCB/quick connect terminal | 5091 |
| | IEC appliance outlet F oder H, screw-on mounting, front side, solder/quick connect terminal | 5092 |