

IEC Appliance Connector C14 with Fuseholder 1- or 2-pole

Plug removal necessary for fuse replacement



KEA



KEA

**Description**

- Panel Mount:
Screw-on version from front or rear side, snap-in version from front side
- 3 Functions:
Appliance Inlet Protection class I, Fuseholder for fuse-links 5 x 20 mm 1- or 2-pole, with or without voltage selector (step switch)
- Quick connect terminals 4.8 x 0.8 mm
- Alternative: version with line filter [KFA](#)

Approvals

- VDE License Number: 40012272
- UL License Number: E93617
- CSA License Number: 38456

Characteristics

- Available with or without internal connections
- Plug removal necessary for fuse-link replacement
The fuse drawer "Fingergrip" can be removed by hand
For added safety "Extra-Safe" fuse drawers are available
Fuse drawer meets requirements of medical standard IEC/EN 60601-1
- The fuseholder is accessible from the equipment front
- Qualified for use in equipment according IEC/EN 60950

Other versions on request

- With solder terminals
- Fuse drawer with other voltage values
- For protection class II

Weblinks

[Approvals](#), [RoHS](#), [CHINA-RoHS](#), [e-Store](#), [SCHURTER-Stock-Check](#), [Distributor-Stock-Check](#)

Technical Data

Ratings IEC	10A / 250VAC; 50Hz
Ratings UL/CSA	10A / 250VAC; 60Hz
Dielectric Strength	> 3kVAC between L-N > 4kVAC between L/N-PE (1 min/50Hz)
Allowable Operation Temp.	-25 °C to 70 °C
Degree of Protection	from front side IP 40 acc. to IEC 60529
Protection Class	Suitable for appliances with protection class I acc. to IEC 61140
Terminal	Quick connect terminals 4.8 x 0.8 mm
Panel Thickness s	Screw-on: max 8mm Mounting screw torque max 0.5Nm Snap-in: 1.5/ 2/ 2.5 mm
Material: Housing	Thermoplastic, black, UL 94V-0

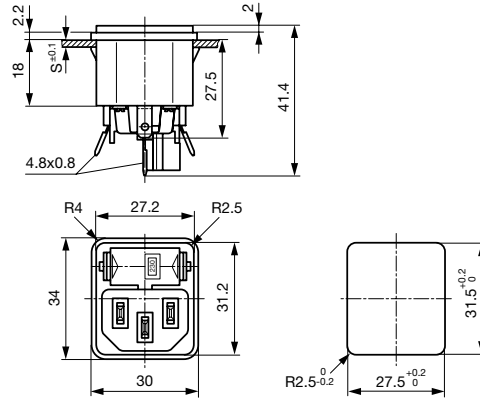
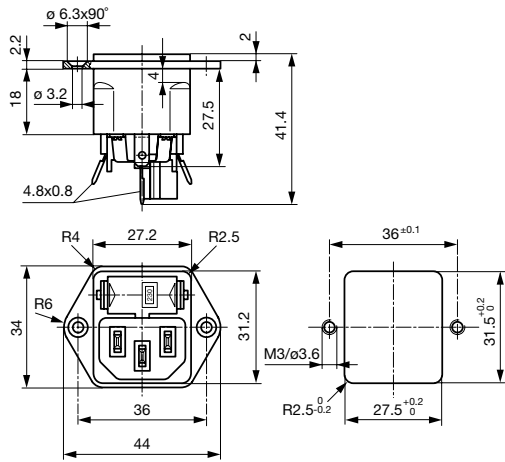
Appliance-Inlet/-Outlet	C14 acc. to IEC/EN 60320-1, UL 498, CSA C22.2 no. 42 (for cold conditions) pin-temperature 70 °C, 10A, Protection class I
Fuseholder	1 or 2 pole, Shocksafe category PC2 acc. to IEC 60127-6, for fuse-links 5 x 20mm
Rated Power Acceptance @ Ta 23 °C	5 x 20: 2W (1 pole)/ 1.6W (2-pole) per pole
Power Acceptance @ Ta > 23°C	Admissible power acceptance at higher ambient temperature see derating curves
Voltage selector	optional, step, 2-4 digits

Dimensions

Screw-on mounting type KEA

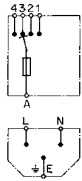
Length |-----| 44 mm

Snap-in mounting type KEA

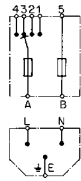


Diagrams

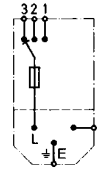
without internal connections
voltage selector
4-positions
1-pole



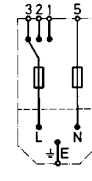
without internal connections
voltage selector
4-positions
2-pole



with internal connections
voltage selector
3-positions
1-pole



with internal connections
voltage selector
3-positions
2-pole



voltage selector
2-positions
1-pole



voltage selector
2-positions
2-pole



without voltage selector
1-pole

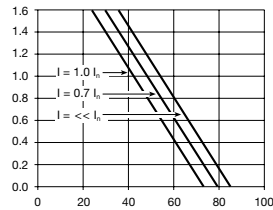
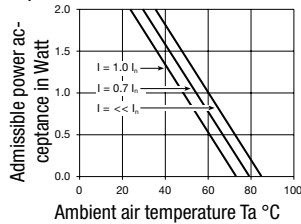


without voltage selector
2-pole



Derating Curves

1-pole



Distributor-Stock-Check | SCHURTER-Stock-Check | e-Store

Variants

Fingergrip and Extra-Safe

Fuse drawer must be ordered separately

Type	Panel mounting	Panel Thickness s [mm]	Fuseholder	Voltage selector	internally wired	Order Number
KEA	Screw-on	-	1 pole	3 digits		4301.0021
KEA	Screw-on	-	1 pole	3/4 digits		4301.2061
KEA	Screw-on	-	1 pole	without		4301.0521
KEA	Screw-on	-	2-pole	3 digits		4301.0001
KEA	Screw-on	-	2-pole	3/4 digits		4301.2041
KEA	Screw-on	-	2-pole	without		4301.0501
KEA	Snap-in	1.5	1 pole	3 digits		4301.0022
KEA	Snap-in	2	1 pole	3 digits		4301.0023
KEA	Snap-in	2.5	1 pole	3 digits		4301.0024
KEA	Snap-in	1.5	1 pole	3/4 digits		4301.2062
KEA	Snap-in	2	1 pole	3/4 digits		4301.2063
KEA	Snap-in	2.5	1 pole	3/4 digits		4301.2064
KEA	Snap-in	1.5	1 pole	without		4301.0522
KEA	Snap-in	2	1 pole	without		4301.0523
KEA	Snap-in	2.5	1 pole	without		4301.0524
KEA	Snap-in	1.5	2-pole	3 digits		4301.0002
KEA	Snap-in	2	2-pole	3 digits		4301.0003
KEA	Snap-in	2.5	2-pole	3 digits		4301.0004
KEA	Snap-in	1.5	2-pole	3/4 digits		4301.2042
KEA	Snap-in	2	2-pole	3/4 digits		4301.2043
KEA	Snap-in	2.5	2-pole	3/4 digits		4301.2044
KEA	Snap-in	1.5	2-pole	without		4301.0502
KEA	Snap-in	2	2-pole	without		4301.0503
KEA	Snap-in	2.5	2-pole	without		4301.0504

Packaging unit 50 Pcs**Required Accessory****Description****Fusedrawer 2**

Fusedrawer with and without voltage selector insert



Fingergrip, 2-pole, Voltage selector, 110, 150, 220	4301.1014.01
Fingergrip, 2-pole, Voltage selector, 120, 240	4301.1014.02
Fingergrip, 2-pole, Voltage selector, 110, 220	4301.1014.03
Fingergrip, 2-pole, Voltage selector, 115, 220	4301.1014.04

...