



## DL Series

Audio



### NC4MD-L-1

Universal D-size metal body XLR panel mount series. UL recognized component.

4 pole male receptacle, solder cups, Nickel housing, silver contacts

#### Features & Benefits

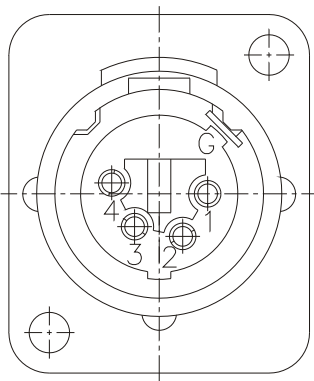
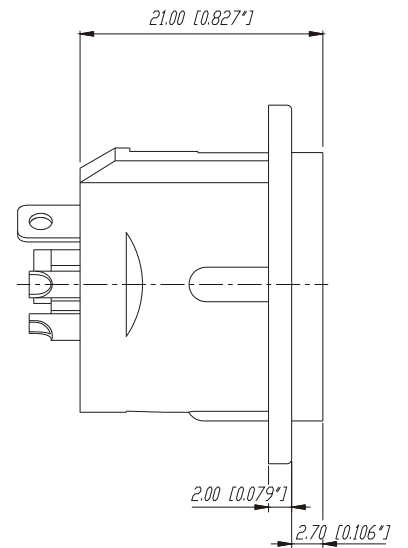
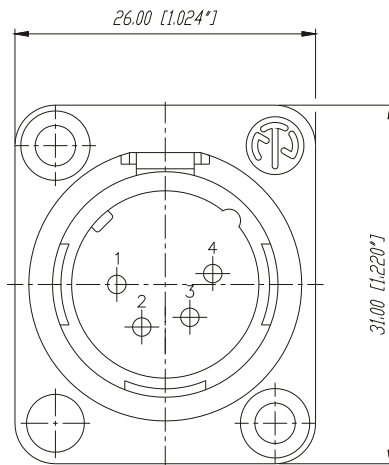
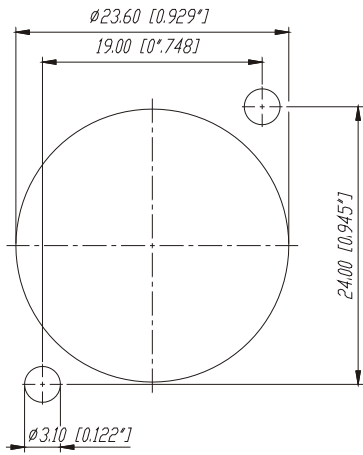
- Robust "D" metal shell
- Standardized D sized 24 mm panel cutout
- Solder cups on 3 - 7 pole version

#### ACCESSORIES



Frontplattenausschnitt (Rückseite)

Panel cut out (rear side)



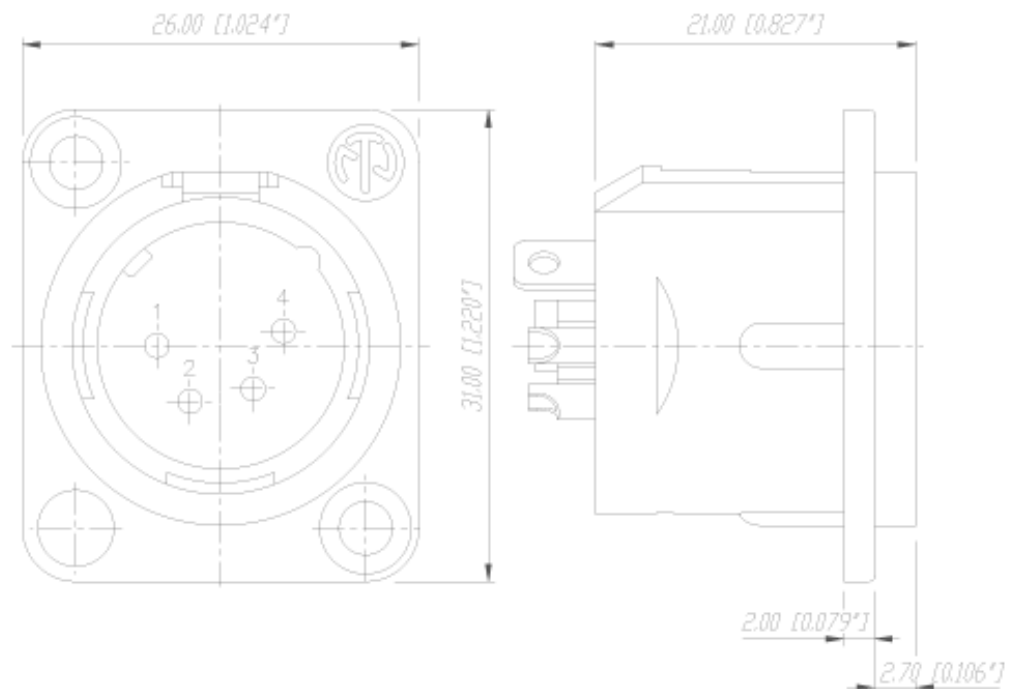
					*Lieferant darf ohne Rücksprache nicht geändert werden	Werkstoff.	Masstab:	Gezeichnet	Datum	Name
					Zeichnung urheberrechtlich geschützt (DIN 34) (C)		3:1	Geprüft	06.07.89	Mandlnek
					Benennung:	Gesehen			Ersetzt durch:	Blatt
						NC4MDL-1			Ersetzt fuer:	von Blatt
A	Aktuelle Zeichnung	05.03.98	Alin jak			NEUTRIK AG			FL-9494 SCHAAN	Zeichn. Nr. 3102 St 10 17
Ind.	Aenderung	Datum	Name							



## DL Series

Audio

### NC4MD-L-1



There are no technical infos for this product.

Product	
Connector Type	XLR
Gender	male
Electrical	
Capacitance between contacts	$\leq 7$ pF
Contact resistance	$\leq 5$ m $\Omega$
Dielectric strength	1,5 kVdc
Insulation resistance	$> 2$ G $\Omega$ (initial)
Insulation resistance	$> 1$ G $\Omega$ (after damp heat test)
Rated current per contact	10 A
Rated voltage	50 V
Mechanical	
Insertion force	$\leq 20$ N

Withdrawal force	≤ 20 N
Lifetime	> 1000 mating cycles
Wire size	max. 1.5 mm <sup>2</sup>
Wire size	max. 16 AWG
Wiring	Solder contacts
Locking device	latch lock
Mounting direction	front & rear
Chassis shape	D

### Material

Contact plating	2 μm Ag over 2 μm Ni
Contacts	Brass (CuZn39Pb3)
Insert	Polyamide (PA 6.6 30 % GR)
Locking element	Steel Ck67
Shell	Zinc diecast (ZnAl4Cu1)
Shell plating	Nickel

### Environmental

Approvals	UL
Flammability	UL 94 HB
Standard compliance	IEC 61076-2-103
Solderability	Complies with IEC 68-2-20
Temperature range	-30 °C to +80 °C

### Optical

### Mobile Cables