



Audio

NEUTRIK

Deutsche Version

Home
About Us
Products
Support
News
Sitemap

Search

Products only

© Neutrik® AG
All rights reserved
Legal Notices



Audio

Chassis Connectors

[back](#)

[Print](#)

NL4MP



4 pole chassis connector, black D-size flange, countersunk thru holes, 3/16" flat tabs

The state-of-the-art chassis connector for loudspeaker / amplifier applications. They feature a unique locking system, robust plastic housing and high current silver plated contacts.

Features & Benefits

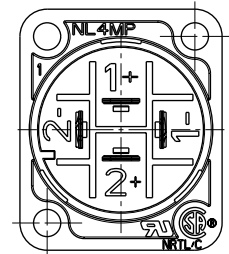
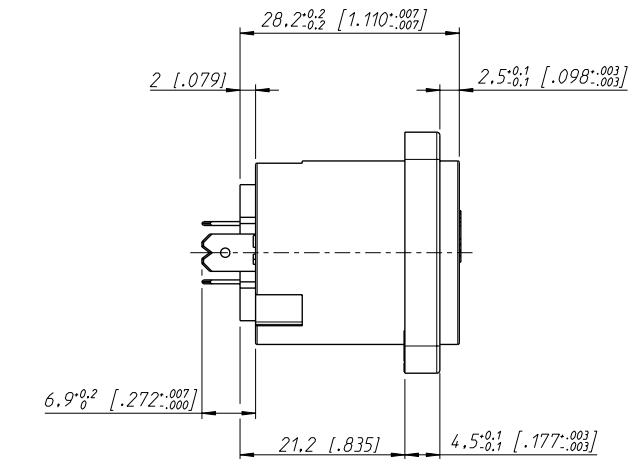
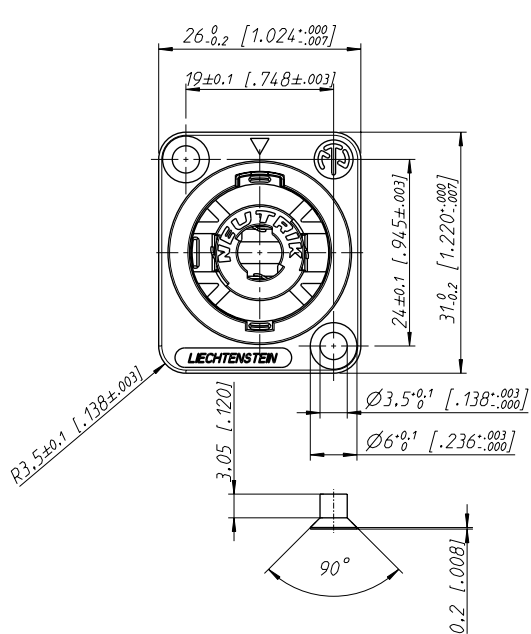
- Standard current rating 30 Amp
- High current version up to 50 Amp audio current
- Glass reinforced materials make it extremely robust and dependable
- Precise keyway for secure mating
- Accurate twist lock latching system
- Metal insert in locking area
- Airtight design - optimized for speaker applications

ACCESSORIES

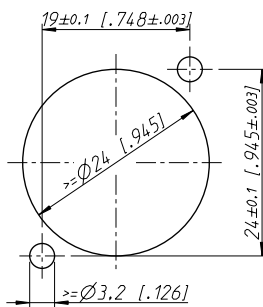
MFD	NLFASTON	SCDR	SCDX

SCL





Frontplattenausschnitt (Rückseite)
Panel Cutout (rear side)



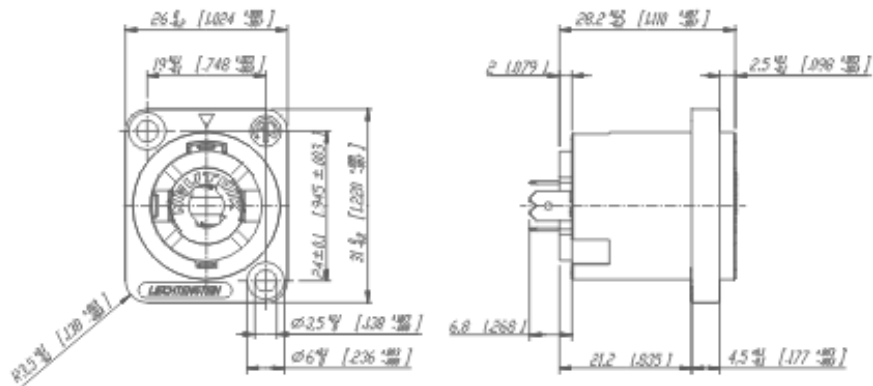
Allgemeintoleranzen ISO 2768-m	Werkstoff	Massstab:	Datum	Name
Zeichnung urheberrechtlich geschützt (DIN 34) (C)	-	2:1 (A3)	23.06.99	Marlinek
Benennung			Freigegeben	-
			Geändert	15.09.03 Mijatovic
			Aend.-Nr.	Aend.-Index F
			Ersatz fuer: 3102ST0505	Blatt 1 von 1 Bl.
			Zechn. Nr.	ST-NL4MP
NEUTROK AG FL-9494 SCHAAN				



Chassis Connectors

Audio

NL4MP



There are no technical infos for this product.

Product

Connector Type	Speakon
Gender	male

Electrical

Contact resistance	$\leq 3 \text{ m}\Omega$ (after lifetime)
Dielectric strength	4 kVdc (peak)
Insulation resistance	$> 1 \text{ G}\Omega$ (after dampheat)
Rated current per contact	30 A rms continuous
Rated current per contact	40 A audiosignal, duty cycle 50 %
Rated voltage	250 V (Insulation)

Mechanical

Lifetime	> 5000 mating cycles
Wiring	3/16" flat tabs
Locking device	Quick Lock
Mounting direction	front & rear
Chassis shape	D
Layout	standard hole position, thru holes

Material

Contact plating	4 μm Ag
Contacts	Bronze (CuSn6)
Shell	Polyamide (PA 6 30 % GR) black

Environmental

Approvals	UL, CSA
Flammability	UL 94 HB
Solderability	Complies with IEC 68-2-20
Temperature range	-30 °C to +80 °C

Optical

Mobile Cables