



Audio

NEUTRIK



Audio

STX Series

[back](#)

[Print](#)

NLT4MX



4 pole male cable connector, metal housing, chuck type strain relief

The new STX Series is the next generation of 4 pole Speakon connectors especially designed for amplifier-loudspeaker applications in harsh and demanding environments such as professional touring. The extremely rugged and durable STX Series feature an all metal housing and a built-in gasket providing weatherproof protection to IP54. The 4 pole version is now available as 4 gender system including male cable and female chassis connector.

Features & Benefits

- Current rating 40 Amp continuous, 50 Amp audio with 50% duty cycle
- Robust and durable all metal housing
- Sealing ring provides weatherproof IP54 rating
- Reinforced metal quick lock system for ease and precise locking
- Extra large solder contacts for up to 6mm² (AWG10) wires
- Mate with all available Speakon products

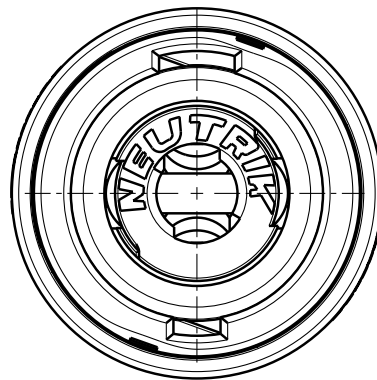
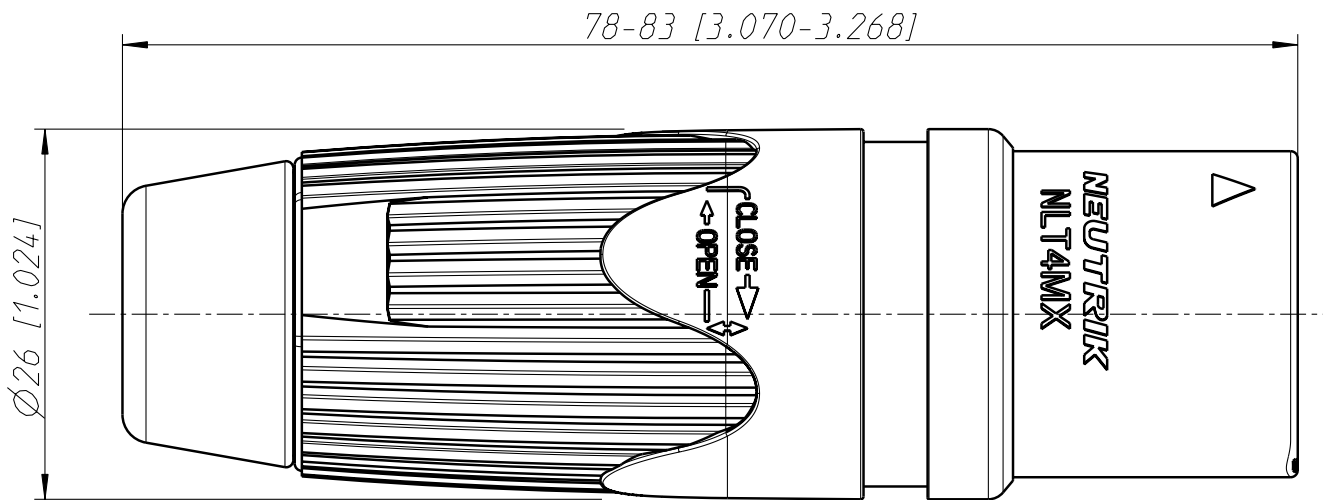
Deutsche Version

[Home](#)
[About Us](#)
[Products](#)
[Support](#)
[News](#)
[Sitemap](#)

[Search](#)

[Products only](#)

© Neutrik® AG
All rights reserved
[Legal Notices](#)



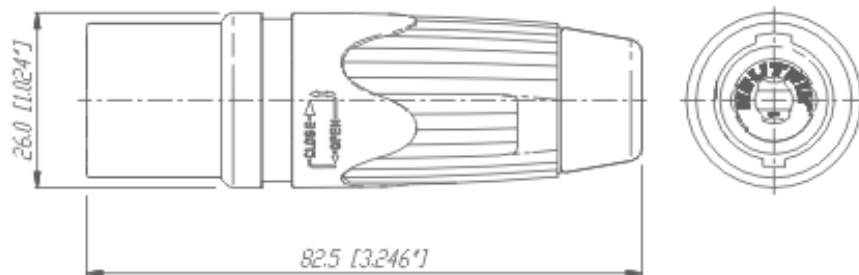
Allgemeintoleranzen ISO 2768-m	Werkstoff -	Massstab: 2:1 (A4)	Gezeichnet	15.01.02	Dobler
			Freigegeben	-	-
Zeichnung urheberrechtlich geschuetzt (DIN 34) (C)	-	-	Geaendert	23.07.03	Hofmann Th.
	Benennung - NLT4MX		Aend.-Nr. 162-2003	Aend.-Index B	
			Ersatz fuer:	Blatt 1 von 1 Bl.	
NEUTRIK AG FL-9494 SCHAAN			Zeichn. Nr. ST-NLT4MX		



STX Series

Audio

NLT4MX



There are no technical infos for this product.

Product

Connector Type	Speakon
Gender	male

Electrical

Contact resistance	< 2 m Ω (after lifetime)
Dielectric strength	4 kVdc (peak)
Insulation resistance	> 10 G Ω (after dampheat)
Rated current per contact	40 A rms continuous
Rated current per contact	50 A audiosignal, duty cycle 50 %
Rated voltage	250 V (Insulation)

Mechanical

Cable O.D.	9 - 16 mm
Cable retention force	\geq 220 N (subject to cable O.D. and material)
Lifetime	> 5000 mating cycles
Wire size	6 mm ²
Wire size	10 AWG
Wiring	Solder Contacts
Locking device	Quick Lock (latch)

Material

Bushing	Polyamide (PA 6 15% GR)
Contact plating	4 μ m Ag
Contacts	Spring Copper (CuSn0.2)
Insert	Polyamide (PA 6 30 % GR)
Locking element	Zinc diecast (ZnAl4Cu1)

Shell	Zinc diecast (ZnAl4Cu1)
Strain relief	Polyacetal (POM)
Environmental	
Approvals	UL,CSA
Flammability	UL 94 HB
Protection class	IP 54 (mated condition)
Solderability	Complies with IEC 68-2-20
Temperature range	-30 °C to +80 °C
Optical	
Mobile Cables	