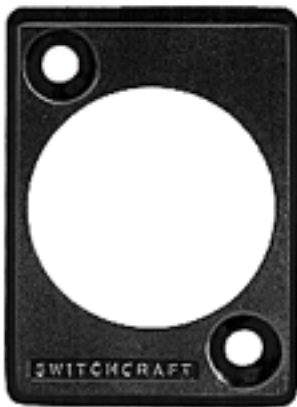


Switchcraft®

[Previous Page](#) | [Return to Index](#) | [Next Page](#)

1



2



3



TINI Q-G® MINIATURE CONNECTORS

U.S. Patent No. 4,361,375, 4,316,647

1. TYEF ESCUTCHEONS
2. TQG(*)F AND TQG(*)M CONNECTOR INSERTS
3. TBA(**) AUDIO ADAPTER

[click here to download a schematic drawing](#)

(you will need to have Adobe Acrobat installed on your system to do this)



TY(*)F and TY(*)FPC RECEPTACLES

Female receptacle mounts in minimum space from front or rear panel or chassis. Terminals are solder lugs, Series TY(*)F, or P.C., Series TY(*)FPC. All receptacles have separate ground lug.

[click here to download a schematic drawing](#)

Part Number	Insert Contacts	Part Number	Insert Contacts
TY3F	3	TY5F	5
TY3FPC	3	TY5FPC	5
TY4F	4		
TY4FPC	4		

TYEF ESCUTCHEONS

Trim escutcheons in seven colors for use with Series TY(*)F and TY(*)FPC receptacles, are recommended for rear mount receptacles. Escutcheons must be ordered separately.

Part Number	Color
☐TYEF01	Red
TYEF02	Black
☐TYEF03	Green
☐TYEF04	Blue
☐TYEF05	White
☐TYEF08	Yellow
☐TYEF11	Gray

TQG(*)F AND TQG(*)M CONNECTOR INSERTS

Male and female inserts with 3, 4, 5 or 6 pins/ contacts. For replacement (cord plugs only) or build-into equipment, such as microphones, transducers and instruments.

Male Inserts

Part Number	Color
TQG3M	3
TQG4M	4
TQG5M	5
☒TQG6M	6

Female Inserts

Part Number	Color
TQG3F	3
TQG4F	4
TQG5F	5
☒TQG6F	6

TBA(**) AUDIO ADAPTER

3D6 pin male-to-male adapter is designed for through-bulkhead or cable expansion usage. Adapter is prewired pin 1 to pin 1, pin 2 to pin 2, etc. Mounting nuts are supplied for each threaded end. Panel hole diameter required is .45 inch; maximum panel thickness is .25 inch (6.35 mm).

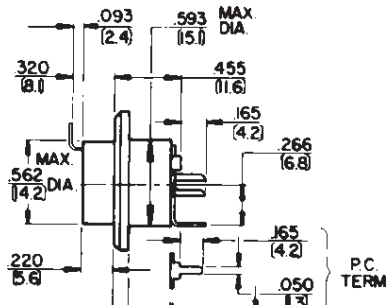
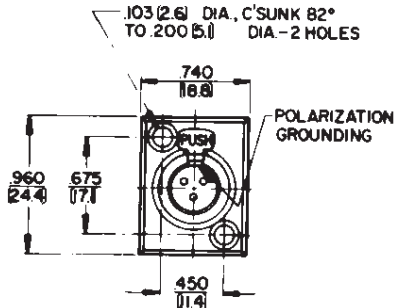
Part Number	Color
☒TBA03	3
☒TBA04	4
☒TBA05	5
☒TBA06	6

☒ Available on special order only; contact Switchcraft for price and delivery.

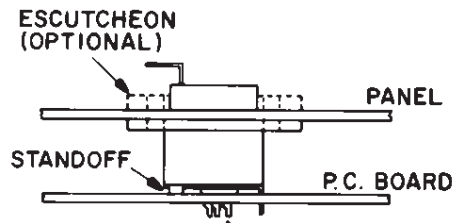
SWITCHCRAFT, INC. 5555 N. Elston Ave.
Chicago, IL 60630 • 773 792-2700 • FAX: 773 792-2129
www.switchcraft.com

TINI Q-G® MINIATURE CONNECTORS

TY(*)F AND TY(*)FPC RECEPTACLES



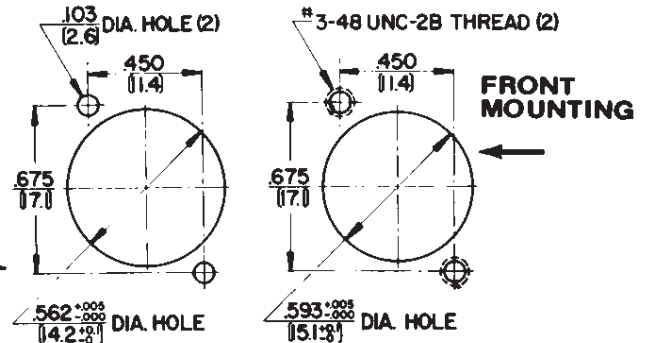
COMBINED P.C./PANEL MOUNTING



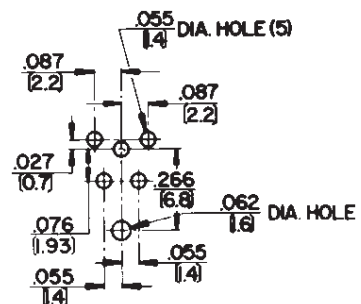
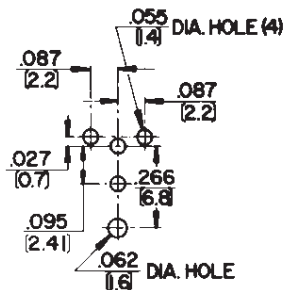
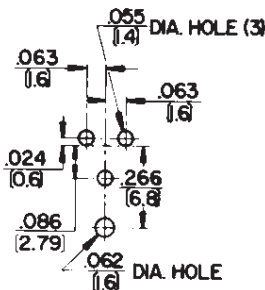
MOUNTING HOLE DETAIL

SERIES TY(*)F, TY(*)FPC

REAR MOUNTING



RECOMMENDED P.C. BOARD LAYOUT



DIMENSIONS ARE FOR REFERENCE ONLY

Inch
(mm)