



## NC3FAH2



The `State of the Art` receptacle. Round plastic body XLR PCB mount panel connector. These have the smallest size and highest packing density (23mm between centres). New designed fork type contacts with hard gold plating and polished contact areas. UL recognized component.

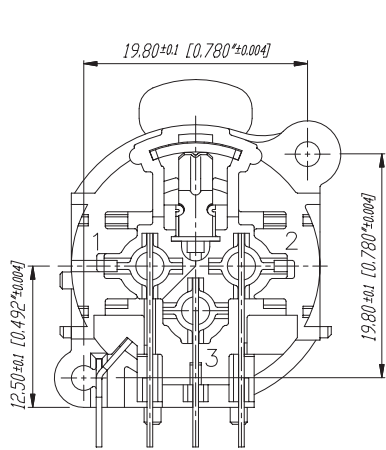
3 pole female XLR receptacle, grounding: separate ground contact to mating connector shell and front panel, horizontal PCB mount

### Features & Benefits

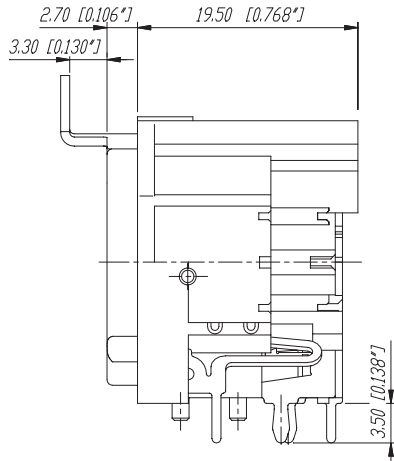
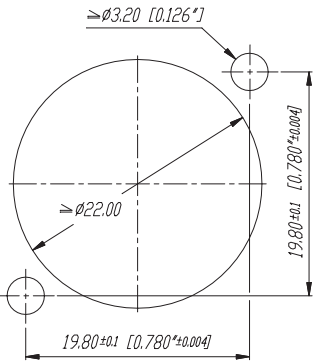
- Smallest XLR receptacles, highest packing density
- Plastic housing, steel latch lock
- Fork type female contact
- Polished contact areas and hard gold plating
- Housing flammability UL94V-0

### ACCESSORIES

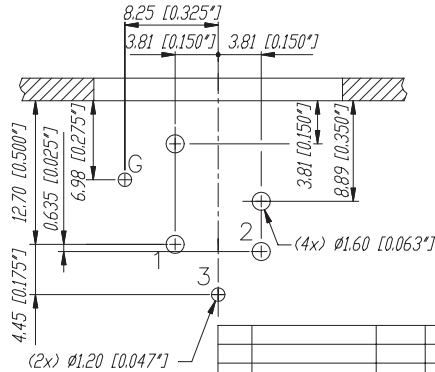
SCF	A-SCREW-1-8



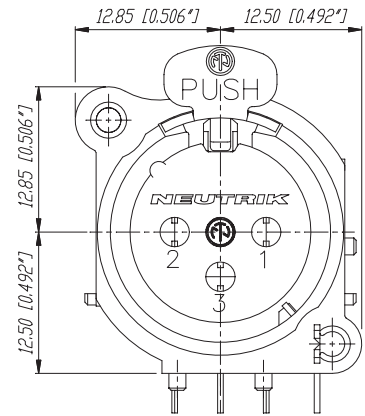
Frontplattenausschnitt (Rückseite)  
Panel cut out (rear side)



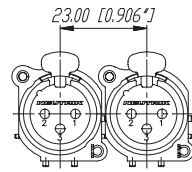
Print-Bohrplan (Bestückungsseite)  
PCB-Layout (component side)



Layout tolerance: ±0.05mm [0.002\*]



min. Einbauabstand  
min assembling distance



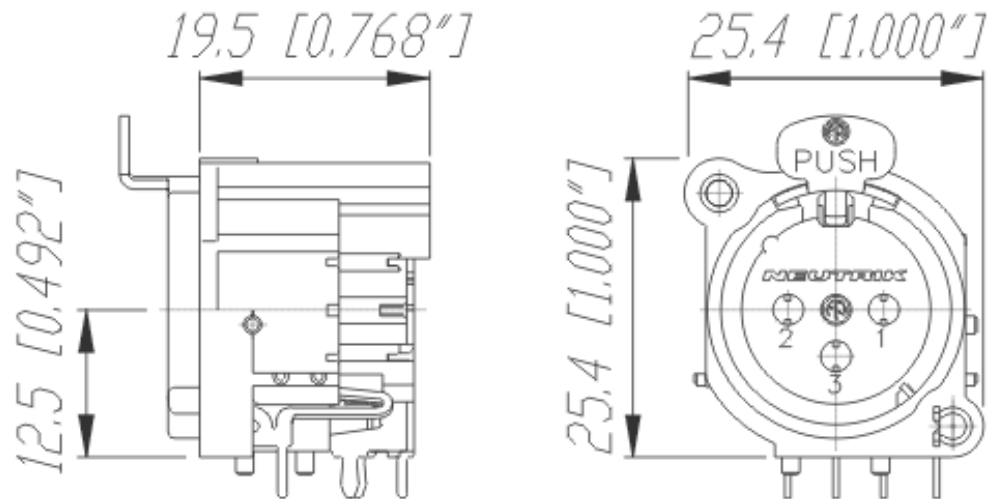
				Werkstoff: Plastic: Zytel FR 51 - UL94V-0	Maßstab: 3:1 1:1	Datum 04.01.95	Name Dobler
				Zeichnung urheberrechtlich geschützt (DIN 94) (C)		Gezeichnet	
				Benennung: NC3FAH2		Geprüft	
						Gesehen	
						Ersetzt durch	Blatt
						Ersetzt fuer	von Blatt
A	Aktuell	09.11.95	Dobler	NEUTRIK AG FL-9494 SCHAAN		Zeichn. Nr.	3102 St 18 21
Ind.	Aenderung	Datum	Name				



Audio

## A Series

### NC3FAH2



There are no technical infos for this product.

Product	
Connector Type	XLR
Gender	female
Electrical	
Capacitance between contacts	$\leq 7$ pF
Contact resistance	$\leq 5$ m $\Omega$
Dielectric strength	1,5 kVdc
Insulation resistance	$> 2$ G $\Omega$ (initial)
Insulation resistance	$> 1$ G $\Omega$ (after damp heat test)
Rated current per contact	6 A
Rated voltage	50 V
Grounding options	Separate ground contact connected to mating connector shell and front panel, no connection to Pin 1
Mechanical	
Insertion force	$\leq 20$ N
Withdrawal force	$\leq 20$ N
Lifetime	$> 1000$ mating cycles
Wiring	Horizontal PCB mount

Locking device	latch lock
Mounting direction	rear
Chassis shape	A
Mounting	A-Screw
<b>Material</b>	
Contact plating	0.2 µm AuCo over 2 µm NiP15 (Tribor®)
Contacts	Bronze (CuSn6)
Insert	Polyamide (PA 6.6 25 % GR)
Locking element	Steel Ck67
Flange	Black Plastic
<b>Environmental</b>	
Approvals	UL
Flammability	UL 94 V-0
Standard compliance	IEC 61076-2-103
Solderability	Complies with IEC 68-2-20
Temperature range	-30 °C to +80 °C
<b>Optical</b>	
<b>Mobile Cables</b>	