



NC5MP

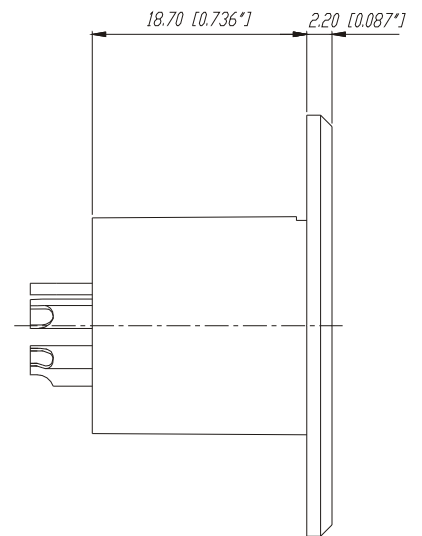
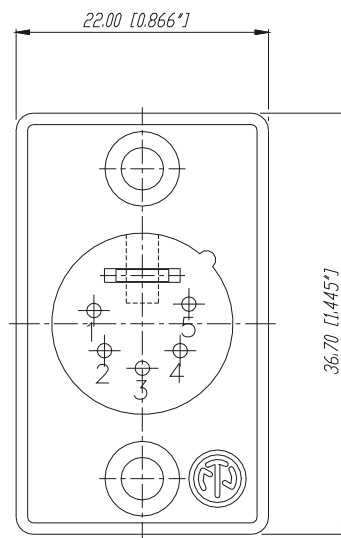
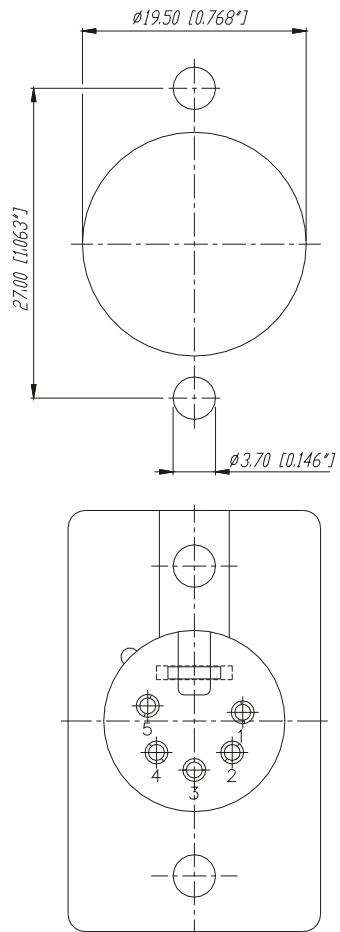
Smallest available traditional style metal panel mount connector with large solder cups for ease hard wiring.

5 pole male receptacle, solder contacts, Nickel housing, silver contacts

Features & Benefits

- Smallest available hard wiring receptacles with large solder cups
- Compatible with switchcraft D*M, D*F; Cannon XLB2*31, XLB2*32

Frontplattenausschnitt (Rückseite)
Panel cut out (rear side)



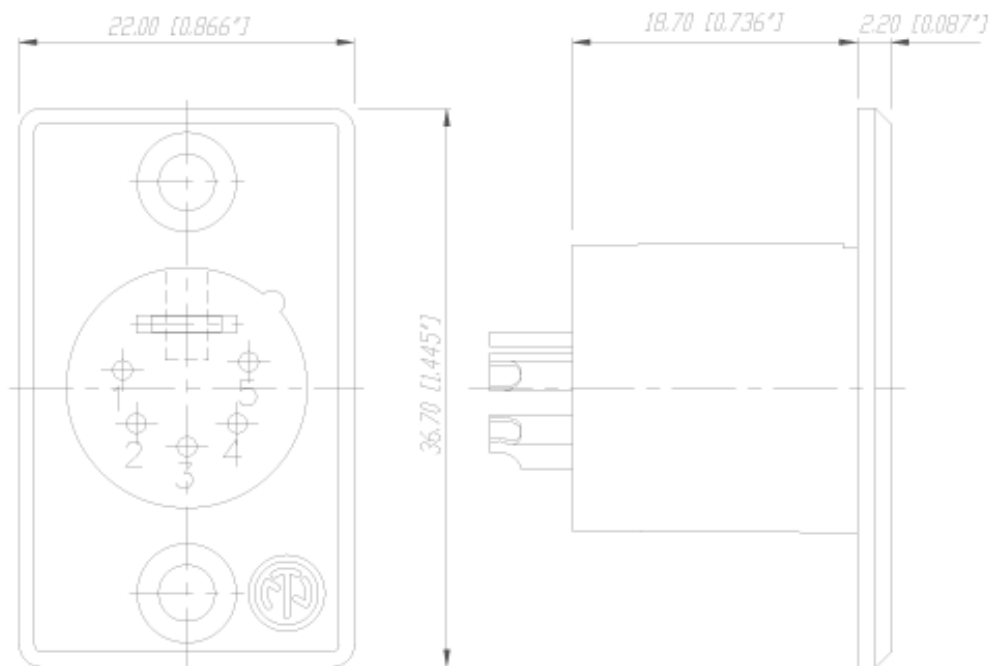
				Werkstoff:	Maßstab:		Datum:	Name:
				*Lieferant darf ohne Rücksprache nicht geändert werden Zeichnung urheberrechtlich geschützt (DIN 34) (C)	3:1		03.04.98	Alenjak
						Gezeichnet		
				Benennung:				Blatt
				NC5MP				von Blatt
				NEUTRIK AG FL-9494 SCHAAN				Zeichn. Nr. 3102 St 11 30
Ind.	Änderung	Datum	Name					



Audio

P Series

NC5MP



There are no technical infos for this product.

Product

Connector Type	XLR
Gender	male

Electrical

Capacitance between contacts	≤ 7 pF
Contact resistance	≤ 5 m Ω
Dielectric strength	1,5 kVdc
Insulation resistance	> 2 G Ω (initial)
Insulation resistance	> 1 G Ω (after damp heat test)
Rated current per contact	7,5 A
Rated voltage	50 V

Mechanical

Insertion force	≤ 20 N
Withdrawal force	≤ 20 N

Lifetime	> 1000 mating cycles
Wire size	max. 1.0 mm ²
Wire size	max. 18 AWG
Wiring	Solder contacts
Locking device	latch lock
Mounting direction	front
Chassis shape	P

Material

Contact plating	2 µm Ag over 2 µm Ni
Contacts	Brass (CuZn39Pb3)
Insert	Polyamide (PA 6.6 30 % GR)
Locking element	Steel Ck67
Shell	Zinc diecast (ZnAl4Cu1)
Shell plating	Nickel

Environmental

Flammability	UL 94 HB
Standard compliance	IEC 61076-2-103
Solderability	Complies with IEC 68-2-20
Temperature range	-30 °C to +80 °C

Optical

Mobile Cables