



## NC3MD-L-1



Universal D-size metal body XLR panel mount series. UL recognized component.

3 pole male receptacle, solder contacts, Nickel housing, silver contacts

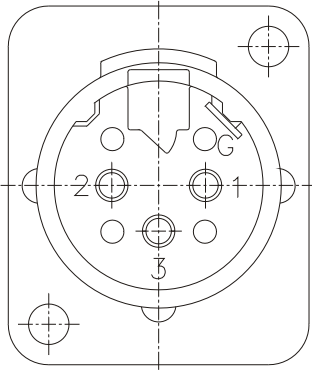
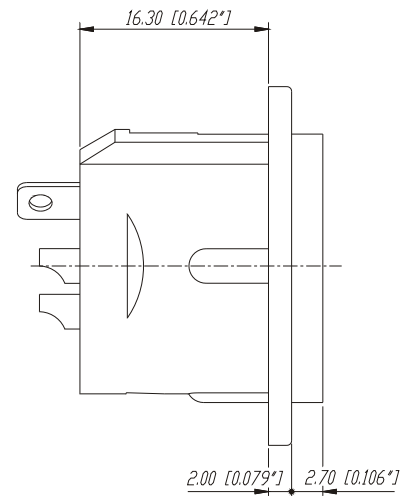
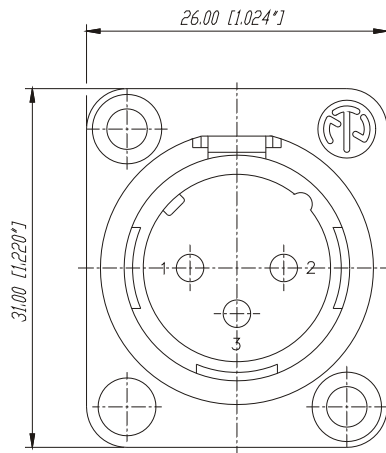
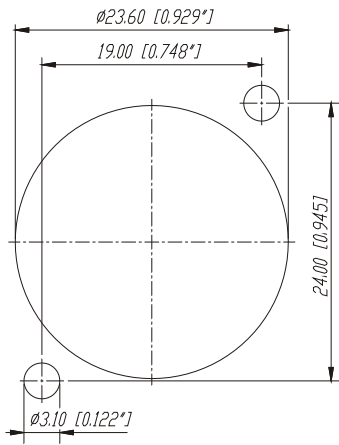
### Features & Benefits

- Robust "D" metal shell
- Standardized D sized 24 mm panel cutout
- Solder cups on 3 - 7 pole version

### ACCESSORIES



Frontplattenausschnitt (Rückseite)  
Panel cut out (rear side)



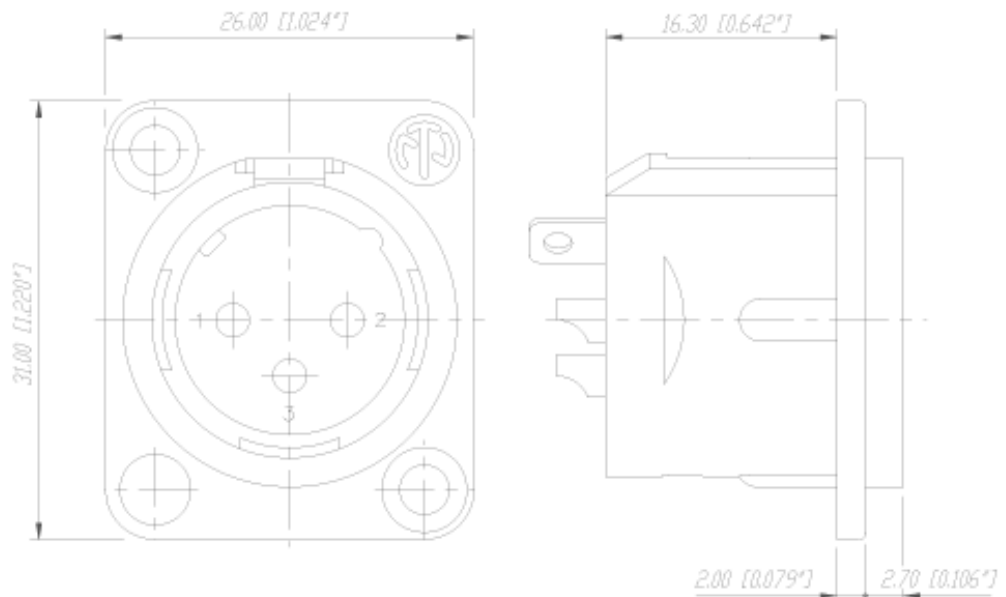
				Werkstoff:	Masstab:	Gezeichnet:	Datum:	Name:
				*Lieferant darf ohne Rücksprache nicht geändert werden Zeichnung urheberrechtlich geschützt (DIN 34) (C)	3:1	Gezeichnet	06.07.89	Mart.
						Geprüft		
				Benennung:		Gesehen		
C	Aktuelle Zeichnung	05.03.98	Alinjak	NC3MDL-1		Ersetzt durch:		Blatt
B	Kontakte gedreht	27.08.97	Dobler			Ersetzt fuer:		von Blatt
A	3f, Toleranzen	11.04.96	Dobler					
Ind.	Aenderung	Datum	Name	NEUTRIK AG FL-9494 SCHAAN		Zeichn. Nr. 3102 St 10 16		



Audio

## DL Series

### NC3MD-L-1



There are no technical infos for this product.

#### Product

Connector Type	XLR
Gender	male

#### Electrical

Capacitance between contacts	$\leq 4$ pF
Contact resistance	$\leq 5$ m $\Omega$
Dielectric strength	1,5 kVdc
Insulation resistance	$> 2$ G $\Omega$ (initial)
Insulation resistance	$> 1$ G $\Omega$ (after damp heat test)
Rated current per contact	16 A
Rated voltage	50 V

#### Mechanical

Insertion force	$\leq 20$ N
Withdrawal force	$\leq 20$ N
Lifetime	$> 1000$ mating cycles

Wiring	Solder contacts
Locking device	latch lock
Mounting direction	front
Chassis shape	D
<b>Material</b>	
Contact plating	2 µm Ag over 2 µm Ni
Contacts	Brass (CuZn35Pb2)
Insert	Polyamide (PA 6.6 30 % GR)
Locking element	Steel Ck67
Shell	Zinc diecast (ZnAl4Cu1)
Shell plating	Nickel
<b>Environmental</b>	
Approvals	UL
Flammability	UL 94 HB
Standard compliance	IEC 61076-2-103
Solderability	Complies with IEC 68-2-20
Temperature range	-30 °C to +80 °C
<b>Optical</b>	
<b>Mobile Cables</b>	