



Audio

NEUTRIK



[back](#)

[Print](#)

NMJ2HC-S

1/4" mono jack, unswitched, with chrome ferrule and standard solder lugs

Mounting nut included

Features & Benefits

- Wide body and extremely durable contacts
- Mates with all mono A-gauge plugs acc. EIA RS-453 standard

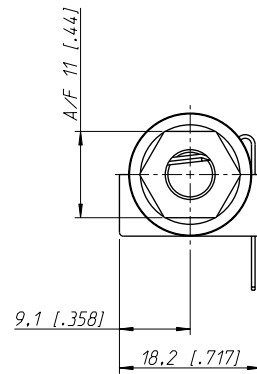
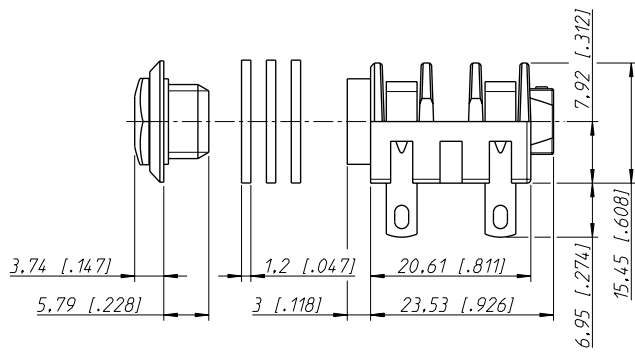
 [Deutsche Version](#)

[Home](#)
[About Us](#)
[Products](#)
[Support](#)
[News](#)
[Sitemap](#)

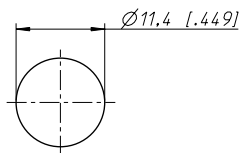
[Search](#)

[Products only](#)

© Neutrik® AG
All rights reserved
[Legal Notices](#)



Frontplattenausschnitt (Rückseite)
Panel cut out (rear side)



| | | | | |
|--|--------------------|-------------------------|----------------------------|----------------------|
| Allgemeintoleranzen ISO 2768-m | Werkstoff Stahl | Maßstab: 2:1 (A3) | Datum | Name |
| | | | 04.02.03 | Ender |
| Zeichnung urheberrechtlich geschützt (DIN 34) (C) | - | - | Gezeichnet | - |
| | | | Freigegeben | - |
| Benennung M Jack NMJ2HC-S | - | - | Geändert | - |
| | | | Aend.-Nr. | Aend.-Index |
| | | | - | - |
| | | | Ersatz fuer: | Blatt 1 von 1 Bl. |
| NEUTROK AG FL-9494 SCHAAN | | | Zeichn. Nr. ST-NMJ2HC-S | |



Audio

M-Line

NMJ2HC-S

There are no technical infos for this product.

Product

| | |
|----------------|--------|
| Connector Type | Jack |
| Gender | female |

Electrical

| | |
|---------------------------|-------------------|
| Contact resistance | < 15 mΩ |
| Dielectric strength | 1 kVdc |
| Insulation resistance | ≥ 1 GΩ @ 500 V dc |
| Rated current per contact | 3 A |

Mechanical

| | |
|--------------------|-----------------------|
| Insertion force | < 20 N |
| Withdrawal force | < 10 N |
| Lifetime | > 10000 mating cycles |
| Panel thickness | < 4.7 mm |
| Wiring | Horizontal PCB mount |
| Locking device | retention spring |
| Mounting direction | rear |
| Chassis shape | 11.4 mm |

Material

| | |
|--------------------|----------------------------|
| Cap / Nut / Washer | PA 6.6 15% GR |
| Contacts | Nickel-Silver |
| Shell | Polyamide (PA 6.6 15 % GR) |

Environmental

| | |
|---------------------|---------------------------|
| Standard compliance | EIA RS 453, IEC 60603-11 |
| Solderability | Complies with IEC 68-2-20 |
| Temperature range | -25 °C to +70 °C |

Optical

Mobile Cables