

Switchcraft®

[Previous Page](#) | [Return to Index](#) | [Next Page](#)



1/4" EXTENSION JACKS (In-line) AND SPEAKER JACKS

- 1. 1/4" EXTENSION JACK (In-line) SERIES 80**
- 2. 1/4" EXTENSION JACK (In-line) SERIES 120**
- 3. 1/4" EXTENSION JACK (In-line) SERIES 121, 131**
- 4. 1/4" SPEAKER JACK SERIES Z15J**

[click here to download a schematic drawing](#)

(you will need to have Adobe Acrobat installed on your system to do this)



1/4" EXTENSION JACKS (in-line)

Extension Jax® jacks are connected to the end of a cable. 2- and 3-conductor jacks mate with standard commercial phone plugs, and have a sturdy cable clamp strain relief, knurled shielded or molded black plastic handles, and a screw type solder terminal. All internal parts are interlocked. Note: See locking phone plugs section.

SPECIFICATIONS

MATERIAL

Body, Sleeve and Shielded Handle: Nickel-plated

copper alloy.

Plastic Handles: Molded black thermoplastic.

Springs: Special copper alloy.

Bushing and Flange: Plated copper alloy.

Insulation: Thermoplastic.

Clamp Terminals: Tin-plated copper alloy.

| TWO-CONDUCTOR PART NUMBERS | | |
|-----------------------------------|---|--------------------------------|
| Part Number | Description | Mating Plug¹ |
| 80 | Black handle; screw terminals | 250 |
| 88 | Black handle; solder lugs | 250 |
| 120 | Shielded handle; screw terminals | 250 |
| 121 | Shielded handle; solder lugs; cable clamp | 250 |
| 128 | Shielded handle; solder lugs | 250 |

| THREE-CONDUCTOR PART NUMBERS | | |
|-------------------------------------|--------------------|--------------------------------|
| Part Number | Description | Mating Plug¹ |

| | | |
|--|---|-----|
| 131 | Shielded handle; solder lugs | 267 |
| 830 | Black handle; screw terminals | 267 |
| S830 | Similar to No. 830 except, .21" I.D. sleeve | 480 |
| 838 | Black handle; solder lugs | 267 |
| 1230 | Shielded handle; screw terminals | 267 |
| 1238 | Shielded handle; solder lugs | 267 |
| ¹ Other mating plugs are available. | | |

1/4" SPEAKER JACKS

High power 2-conductor speaker jack carries 15A (continuous) audio speaker current levels. Jack Number Z15J has positive detent for plug retention. Terminations are solder lug; wires accepted are up to 10 AWG. Red housing indicates high current rating. Recommended mating plugs: 70, 184, 187 series.

SPECIFICATIONS

Housing: Glass reinforced thermoplastic, UL 94V-O.

Tip Spring and Ground Terminals: Copper alloy.

Bushing and Hardware: Nickel-plated copper alloy

(hardware supplied).

Heat Rise: 30°C with 15 A continuous carry.

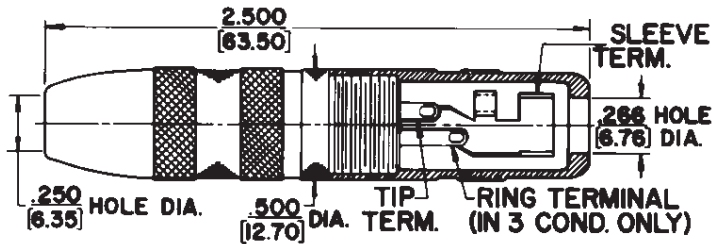
Life: 10,000 (minimum) with proper plug.

| Part Number | Description |
|-------------|-------------------------|
| Z15J | High power speaker jack |

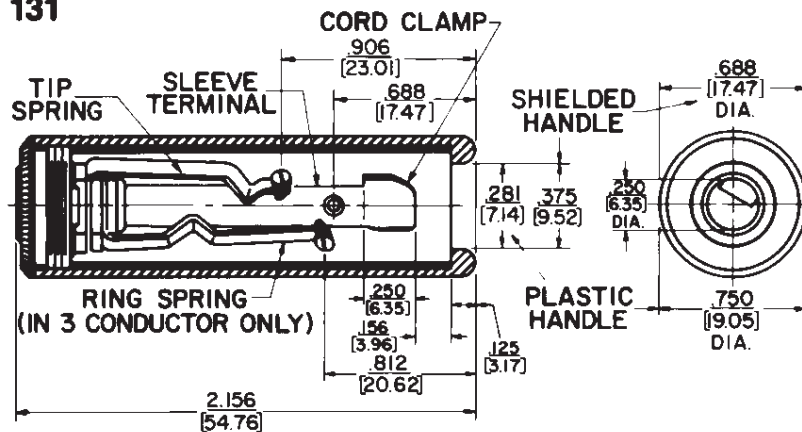
[Previous Page](#) | [Return to Index](#) | [Next Page](#)

SWITCHCRAFT, INC. 5555 N. Elston Ave.
Chicago, IL 60630 • 773 792-2700 • FAX: 773 792-2129
www.switchcraft.com

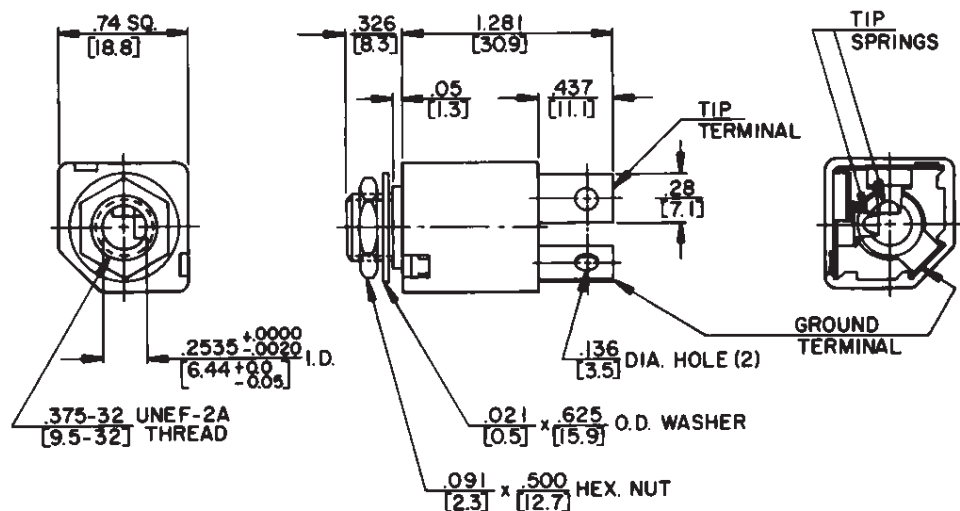
1/4" EXTENSION JACKS (in-line) and 1/4" SPEAKER JACKS



121, 131



830, 1230



DIMENSIONS ARE FOR REFERENCE ONLY

Inch
(mm)