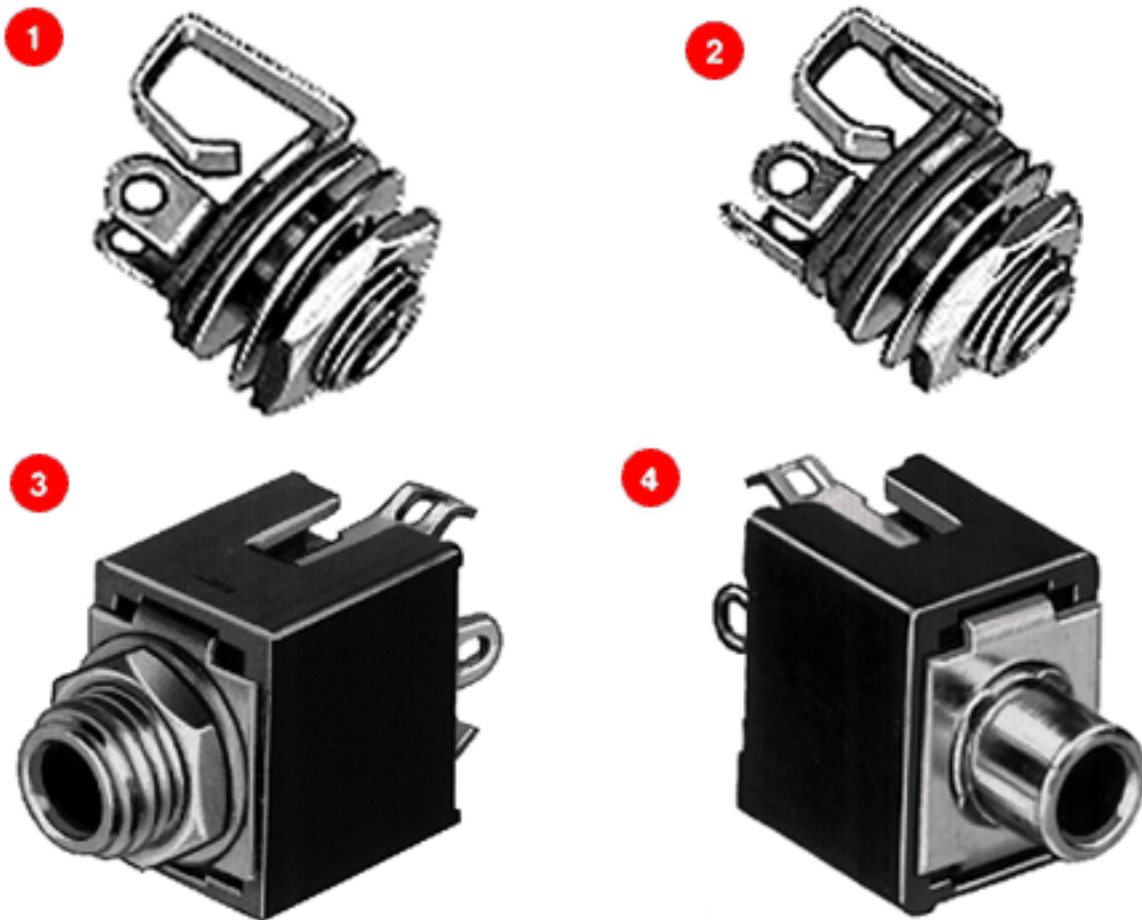


# Switchcraft®

[Previous Page](#) | [Return to Index](#) | [Next Page](#)



## **.141" MINIATURE PHONE JACKS**

- 1. TINI-JAX® MINIATURE PHONE JACK 41**
- 2. TINI-JAX® MINIATURE PHONE JACK 42A**
- 3. TINI-D-JAX® MINIATURE ENCLOSED PHONE JACK 142A**
- 4. TINI-D-JAX® MINIATURE ENCLOSED PHONE JACK PC142A**

[click here to download a schematic drawing](#)

(you will need to have Adobe Acrobat installed on your system to do this)



## **TINI-JAX® MINIATURE PHONE JACKS, NUMBERS 41, 42A, 43A**

Tini-Jax 2-conductor phone jacks, (for limited space connecting, mate with miniature phone plugs having .141 inch diameter fingers and compatible tip shape) are 1/3 the size of Littel-Jax® and weigh less than 1/8 ounce. Notched insulators interlock internal parts. Unique tip spring shape mates with Switchcraft Tini-Plug® phone plugs. Mounting hole: .250 inch diameter in panels up to .125 inches thick (mounting hardware supplied). For insulated mount, order two washers separately, Number **S1564** (swedged fiber washer .312 inch diameter mounting hole) and number **S2207** (flat phenolic washer).

### **SPECIFICATIONS**

#### **MECHANICAL**

**Life:** 5,000 insertion/withdrawal cycles, minimum.

#### **ELECTRICAL**

**Contact Resistance:** .075 ohms maximum.

**Insulation Resistance:** 5,000 M(omega) minimum.

**Dielectric Withstanding Voltage:** 250 V AC maximum.

**Contact Rating:** .25A, 48 V DC.

#### **MATERIAL**

**Mounting Bushing:** Nickel-plated copper alloy.

**Insulating Spacers:** Rigid plastic.

**Springs:** Special copper alloy.

**Sleeve Terminal:** Tin-plated copper alloy.

**Hardware:** Supplied with one, Number **P11501**

nickel-plated copper alloy locknut, and one, Number **S17901**

nickel-plated steel flat washer.

<b>Part Number</b>	<b>Description</b>	<b>Jack Schematic<sup>1</sup></b>	<b>Typical Mating Plug<sup>2</sup></b>
41	Open circuit	I	750
42A	Shunted (closed circuit)	III	750
43A	Special transfer circuit	Note 3	750
142A	Shunted (closed circuit)	III	750
PC142A	Shunted (closed circuit)	III	750

<sup>1</sup> See jack schematics, pages 65 and 66.

<sup>2</sup> See Plugs Section for mating information.

<sup>3</sup> When inserted, plug tip contacts "make" tip spring. Further insertion allows tip to short "make" tip spring and tip spring together. Full insertion opens tip shunt circuit.

## **TINI-D-JAX® MINIATURE ENCLOSED PHONE JACKS, NUMBERS 142A, PC142A**

Tini-D Jax uses Hi-D Jax® construction and mounts on .375 inch centers. Weight: 3.6 grams. Number 142A mounts through .25 inch diameter hole in chassis/panel up to .125 inches thick. Four standoff dimples can be molded into housing to reduce effective length of bushing to .187 inches (special order). Number PC142A has special spring terminals for "snap-in" mounting to PC boards up to .125 inches thick - ready for hand, wave or dip-soldering.

## **SPECIFICATIONS**

### **MECHANICAL**

**Life:** 5,000 insertion/withdrawal cycles, minimum.

**Insertion/Withdrawal:** 15 ounce minimum, 40 ounce maximum, insertion. 12 ounce minimum, 25 ounce maximum, withdrawal.

## **ELECTRICAL**

**Contact Resistance:** .10 ohms maximum.

**Dielectric Withstanding Voltage:** 250 V AC maximum.

**Shunt Tension:** 100 grams minimum.

## **MATERIAL**

**Housing:** Molded plastic.

**Mounting Bushing:** Plated copper alloy.

**Tip Spring:** Plated copper alloy, bifurcated.

**Shunt Springs:** Plated copper alloy.

**Sleeve Bracket:** Steel, cadmium-plated.

**Insulator:** Rigid plastic.

**Hardware:** Number 142A supplied with one, Number

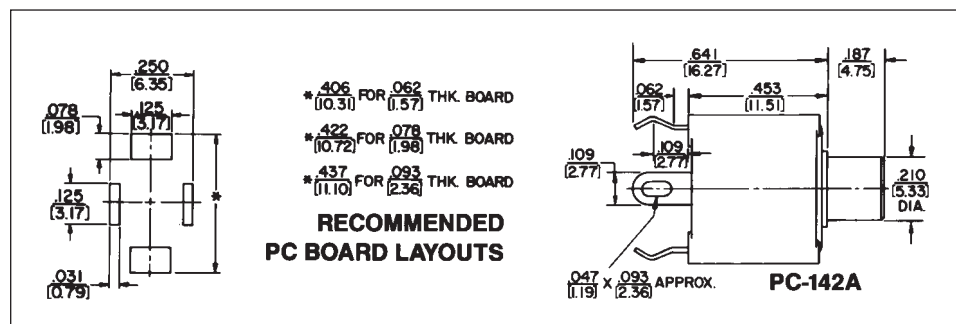
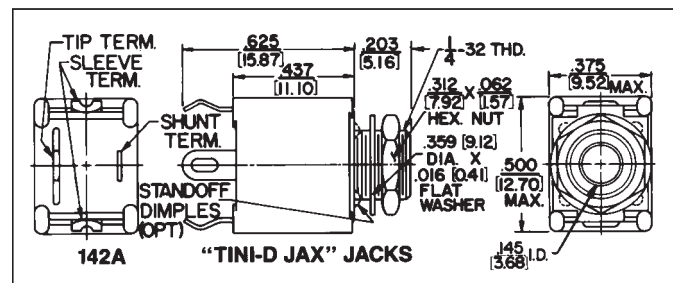
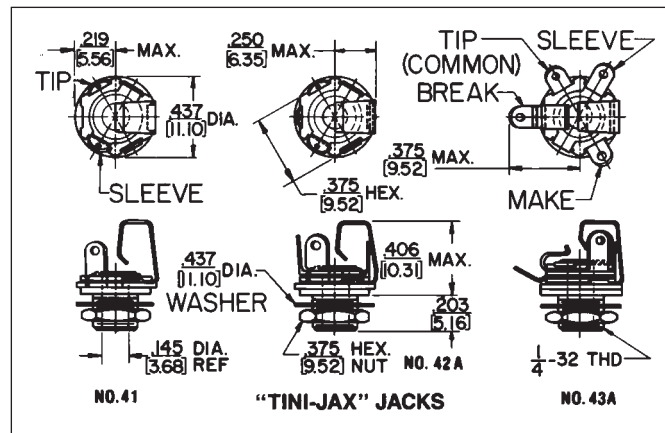
**P1975** nickel-plated copper alloy locknut, and one, Number

**S3997** nickel-plated steel flat washer.

[Previous Page](#) | [Return to Index](#) | [Next Page](#)

**To search a category please click on the corresponding icon:**

## .141" MINIATURE PHONE JACKS



DIMENSIONS ARE FOR REFERENCE ONLY  $\frac{\text{Inch}}{\text{(mm)}}$

NOTE: Contact your Switchcraft Representative for price and delivery.