

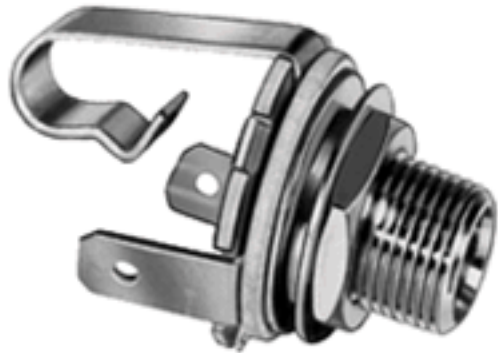
# Switchcraft®

[Previous Page](#) | [Return to Index](#) | [Next Page](#)

1



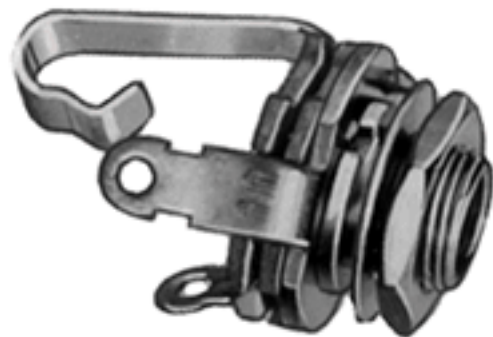
2



3



4



## 1/4" PHONE JACKS

1. 14B
2. FAL-11 .205 FASTON TERMINAL
3. PC-12A
4. 11

[click here to download a schematic drawing](#)

[click here to download a schematic drawing](#)

(you will need to have Adobe Acrobat installed on your system to do this)



## **Littel-Jax® COMMERCIAL PHONE JACKS**

### **2- and 3-CONDUCTOR**

Littel-Jax phone jacks mate with standard commercial phone plugs and are available with .25 inch and .21 inch inside diameter bushings.

## **MIL Littel-Jax® PHONE JACKS**

### **2- and 3-CONDUCTOR MIL-SPEC, MIL-J-641 (E)**

MIL jacks mate with MIL-type phone plugs with .25 inch (6.35mm) or .21 inch (5.34mm) diameter bushings. Numbers C11 and C12B have a non-turn locating pin which keys the jack to the mounting surface. For low contact resistance applications, jack number C12A has fine silver contacts on shunts and tip springs.

## **MOUNTING**

**Chassis/Panel:** See Mounting Data drawing below; small

hole is required only for jacks numbers C11 and C12B

with non-turn locating pin.

**Maximum Panel Thickness:** .156 inch (4mm) for standard

.276 inch (7mm) long bushing; .25 inch (6.35mm) for .375

inch (9.5mm) long bushing.

**NOTE:** For panels thicker than .25 inch see Thick Panel

Phone Jax.

**Insulated Mount:** See drawing. S1028 flatwasher and Part Number S1029 shoulder washer must be

ordered separately for mounting in .437 inch diameter hole.

**NOTE:** See Hi-D Jax® for jack specifically designed

for insulated mounting without additional washers.

**PC Board Mounting:** See Recommended PC Board Layout

drawing below for jacks with PC terminals. Recommended

PC board thickness is .062 inches.

**Mounting Centers:** 1.188 inch (30mm) recommended.

Centers may vary with jack selected, for example, Number

11 mounts on .813 inch (20.6mm) and 14B mounts on 1.125 inch (28.6mm) minimum centers.

PREFIX OPTIONS	SERIES	CIRCUITRY
<b>Blank-</b> 1/4" Commercial	Jack 1-Littel Jax®	1- I
<b>C-</b> Accepts Mill Plug		2A- III
<b>FA-</b> .205" Faston Terminals		2B- IV
<b>FAL-</b> .205" Faston Terminals and .375" Long Bushing		3- V
<b>L-</b> .375" Long Bushing		3A- VI
<b>PC-</b> PC Terminals		3B- VII
<b>S-</b> Accepts .206 Diameter Plugs		3E- IX
		4B- XII

**TWO CONDUCTOR PART NUMBERS**

Part Number	Description	Jack Schematic <sup>1</sup>	Typical Mating Plug

11	Open circuit	I	250
C11	MIL Number M641/6-1	I	440
FA11	.205 inch FASTON terminal	I	250
FAL11	.375 inch long bushing .205 FASTON terminal	I	250
L11	.375 inch long bushing	I	250
12A	Tip shunt	III	250
C12A	MILNumber M641/12-1	III	440
L12A	.375 inch long bushing	III	250
PC12A	PC board mount	III	250
13	Isolated "make" circuit	V	250
13A	Transfer circuit	VI	250
13E	Isolated "break" circuit	IX	250
<b>THREE CONDUCTOR PART NUMBERS</b>			
12B	Double open circuit	IV	267
L12B	.375 inch long bushing	IV	267
C12B	MIL number M641/5-1, .210 inch inside diameter	IV	480
13B	Tip shunt	VII	267
14B	Double closed circuit	XII	267
<b>PART NUMBERS (.210 inch inside diameter bushing)</b>			
S11	2 conductor	I	S250
S12A	2 conductor	III	S250
S12B	3 conductor	IV	S267
S13B	3 conductor	VII	S267
1 Refer to jack schematics on pages 65 and 66. Other circuits are available; contact factory.			

## SPECIFICATIONS

### MECHANICAL

**Life:** Commercial Jacks - 10,000 insertion/withdrawal

cycles, minimum.

Military Jacks - 20,000 insertions/withdrawals, minimum.

**Mechanical Shock:** Military Jacks - Per MIL-STD 202, method 213, Test Condition H (75g).

**Vibration:** Military Jacks - Per MIL-STD-202, method 213, (10-55 Hz).

**Insertion/Withdrawal Forces:** (see charts below)

<b>Commercial Jacks</b>		
Plug Diameter (inches)	.210	.250
Insertion (maximum)	7 lb.	7 lb.
Withdrawal (minimum)	1 lb.	1 lb.

<b>Military Jacks</b>			
<b>Part Number</b>	<b>C11</b>	<b>C12A</b>	<b>C12B</b>
Insertion (maximum)	6 lb.	7 lb.	6 lb.
Withdrawal (minimum)	2 lb.	3 lb.	1.5 lb.
Withdrawal (maximum)	7 lb.	7 lb.	5 lb.

## **ELECTRICAL**

**Contact Resistance:** Commercial Jacks - .030 ohms

maximum (initial), .050 ohms maximum (after humidity, durability exposure). Per MIL-STD-202E.

Military Jacks - .010 ohms maximum (initial), .020 ohms

maximum (after life), .10 ohms maximum (after salt spray).

**Insulation Resistance:** Commercial Jacks - 10,000 M(ohm)

minimum (initial), 1,000 M(ohm) minimum (after humidity).

Military Jacks - 10,000 M(ohm) minimum (initial), 1,000 M(ohm)

minimum (after humidity, durability exposure).

**Dielectric Withstanding Voltage:** 500 V, 60 Hz (rms) AC.

**Contact Rating:** 1 A, 25 V DC.

## **ENVIRONMENTAL**

**Thermal Range:** Commercial Jacks; -55°C to +85°C (non-

operating); -20°C to +65°C (operating).

Military Jacks; -55°C to +85°C (non-operating); -40°C to

+65°C (operating).

**Thermal Shock:** Commercial Jacks - Per MIL-STD 202,

method 107. Military Jacks - Per MIL-STD 202,  
method 107.

**Humidity:** Commercial Jacks - Per MIL-STD 202,

method 106. Military Jacks - 0% to 95% operating and  
non-operating.

**Salt Spray:** Commercial Jacks - Per MIL-STD 202,

method 101. Military Jacks - Per MIL-STD 202, method  
101 (48 hours).

**Moisture Resistance:** Military Jacks - Per MIL-STD 202,

method 106 (240 hours).

## MATERIAL

**Mounting Bushing:** Nickel-plated copper alloy.

**Insulation:** Rigid plastic.

**Springs:** Special copper alloy. Integral contacts are standard in the isolated switching circuits; fine silver contacts in C12A switching circuit.

**Sleeve Terminal:** Copper alloy.

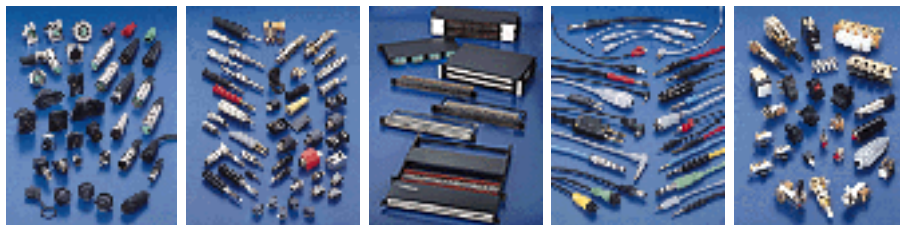
**Hardware:** Supplied with one Number **P10001** copper alloy nickel-plated hex nut, and one Number **S1022** steel nickel-plated washer - except copper alloy nickel-plated washer

Number **S10451** supplied on C11, C12A and C12B.

\* Commercial jacks feature integral contacts. Integral contacts should not be used where low contact resistance is a requirement.

[Previous Page](#) | [Return to Index](#) | [Next Page](#)

**To search a category please click on the corresponding icon:**

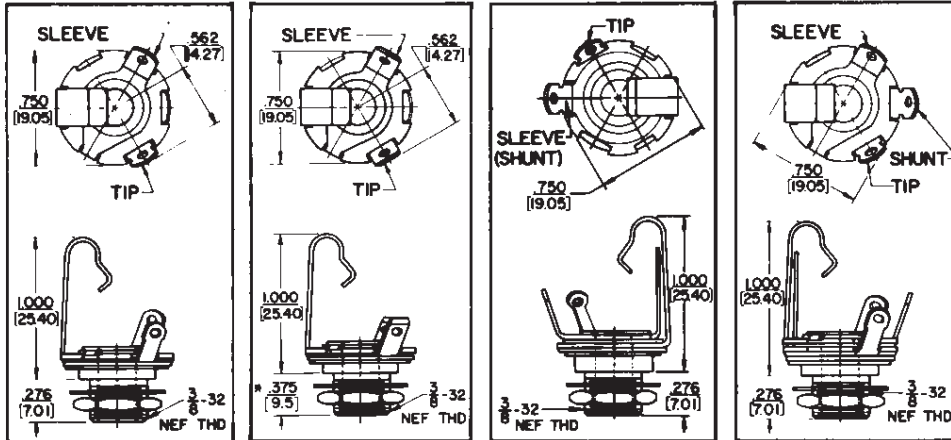


| [Connectors](#) | [Jacks and Plugs](#) |  
| [Patch Panels, Patch Kits & Jackfields](#) | [Cable Assemblies and Patch Cords](#) | [Switches](#) |

SWITCHCRAFT, INC. 5555 N. Elston Ave.  
Chicago, IL 60630 • 773 792-2700 • FAX: 773 792-2129  
www.switchcraft.com

## 1/4" PHONE JACKS

### Littel Jax® Jacks



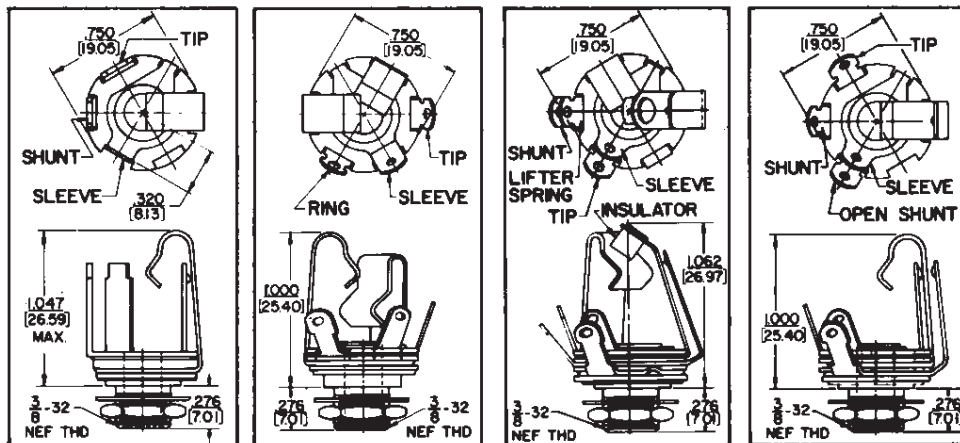
11, L-11, C-11, S-11

FA-11, FAL-11

\*.276 in. for No. FA-11

12

12A, L-12A,  
S-12A, SC-12A

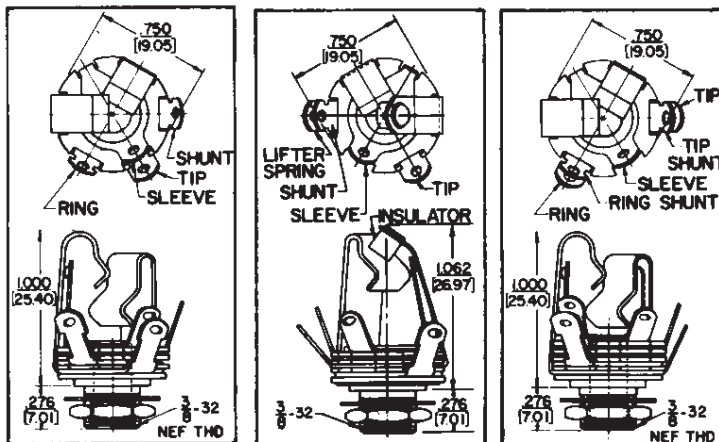


PC-12A

12B, C-12B,  
S-12B, SC-12B

13

13A



13B, S-13B

13E

14B

DIMENSIONS ARE FOR REFERENCE ONLY

Inch  
(mm)