

## Product Detail



<b>Product Line:</b>	<a href="#">Johnson</a> (Click for customer service)
<b>Part Number:</b>	105-0603-001
<b>Description:</b>	Tip Jack - Insulated Deluxe
<b>Product Family:</b>	TIP JACK
<b>Body Material:</b>	Nylon 6/6 per ASTM D4066
<b>Breakdown Voltage:</b>	5700 Vrms min.
<b>Color / Finish:</b>	Black
<b>Contact Material:</b>	Beryllium copper over brass
<b>Contact Finish:</b>	Silver
<b>Contact Termination:</b>	Solder
<b>Current:</b>	10 amps
<b>Description:</b>	Insulated Deluxe
<b>For Use With:</b>	.080 (2.00) Tip Plug
<b>Panel Thickness:</b>	Up to .437 (11.10)
<b>RoHS Compliant:</b>	Yes

20070523-1523

# Tip Jack Insulated Deluxe

## SPECIFICATIONS

**Contact:** Brass per QQ-B-626D with wrap around  
beryllium copper spring per QQ-C-533

**Finish:** Silver

**Body:** Nylon 6/6 per ASTM D4066

**Hardware:** Nickel plated nut (unassembled)

**Body Thread Stripping Torque:** 0.4 lb. in (4.5 kg. cm.)

**Panel Thickness:** Up to .437 (11.10)

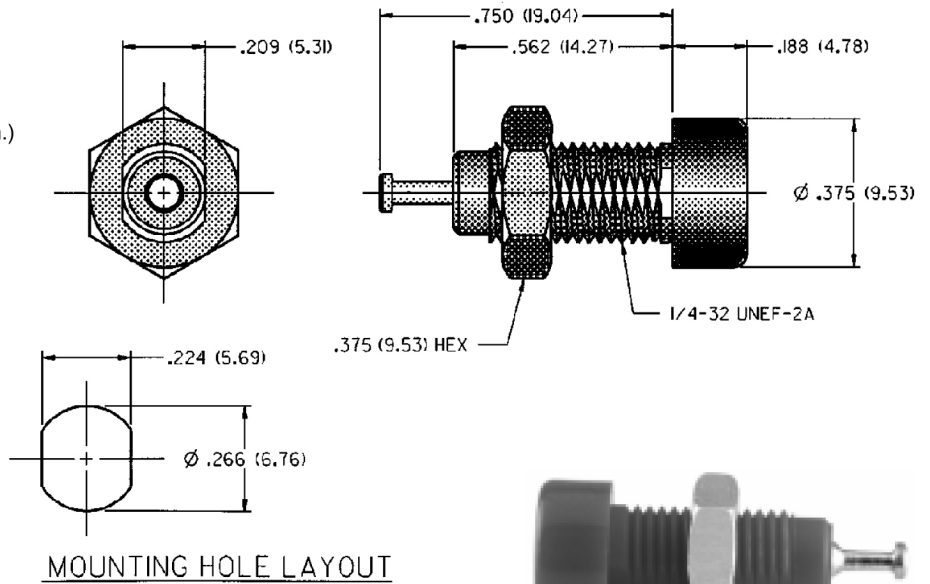
## RATINGS

**Current:** 10 amps

**Breakdown Voltage:** 5700 Vrms minimum †

**Contact Resistance:** 0.010 ohms maximum

**Contact-To-Panel C:** 2 pF nominal



SILVER PLATING	
PART NO.	COLOR
105-0603-001	Black

**For Standard Tip Plug: .080 (2.00) Diameter**

## FEATURES:

- Machined contact with turret terminal
- Hex socket head .188 (4.77) for ease in mounting
- Closed entry blocks access of probes greater than .085 (2.16)
- Nylon UL approved for self extinguishing