

IEC appliance inlet C20, screw-on mounting, rear side, PCB terminal

new



01.11.2006Screw-On Version

C20



70° C

**Description**

- Panel Mount:
- Screw-on, from rear-side
- Appliance Inlet, Pin temperature 70 °C, Protection class I
- For PCB mounting

Approvals

- UL License Number: E45115
- CSA License Number: 1435558

References

General Product Information

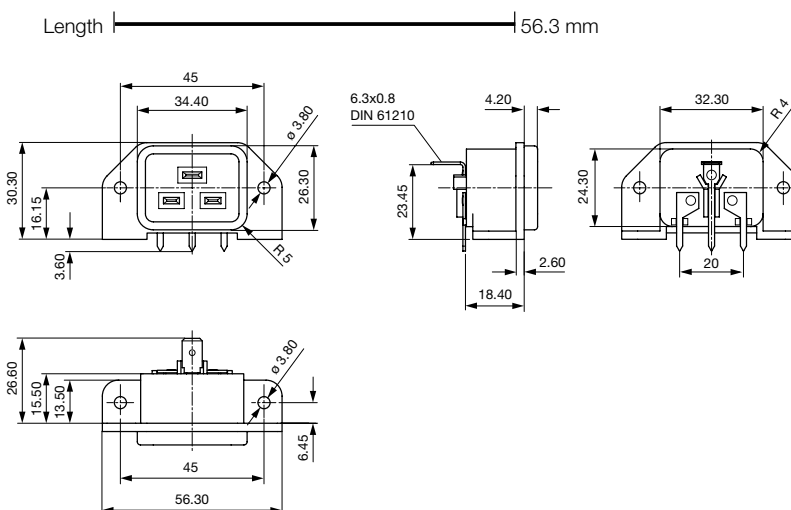
Weblinks

Approvals, RoHS, CHINA-RoHS, e-Store, SCHURTER-Stock-Check, Distributor-Stock-Check, Product Configurator

Technical Data

Ratings IEC	16 A / 250VAC; 50Hz
Ratings UL/CSA	21 A / 250VAC; 60Hz
Dielectric Strength	> 3kVAC between L-N > 1.5kVAC between L/N-PE (1 min/50Hz)
Allowable Operation Temp.	-25 °C to 70 °C
Degree of Protection	from front side IP 20 acc. to IEC 60529
Protection Class	Suitable for appliances with protection class I acc. to IEC 61140
Terminal	For PCB mounting Solder terminal straight

Appliance-Inlet/-Outlet	C20 acc. to IEC/EN 60320-1 UL 498, CSA C22.2 no. 42 (for cold conditions) pin-temperature 70 °C, 16A, Protection class I
-------------------------	---

Dimensions

length of the terminal please find at the order code configuration table

Order Code

Product Configurator

1601 - H - A B C 0 - D - E I

The characters are placeholders for the correspondingly keys of selections from the key tables.

1601 - H - A B C 0 - D - E I = Design

Design	Configuration key
protection class 1	X

1601 - H - A B C 0 - D - E I = Terminals

Terminal L	Configuration key
PCB-terminal (standard) 	4

1601 - H - A B C 0 - D - E I = Terminals

Terminal N	Configuration key
PCB-terminal (standard)	4

Symbols similar as in table A

1601 - H - A B C 0 - D - E I = Terminals

Terminal Ground	Configuration key
PCB-terminal (long)	6

Symbols similar as in table A

1601 - H - A B C 0 - D - E I = Color

Color	Configuration key
jet black; RAL9005	A
silver grey; RAL7001	B
pure white; RAL9010	D

Standard color: black

1601 - H - A B C 0 - D - E I = Design

Design	Configuration key
flange with through holes	2
flange with through holes (special type)	7

1601 - H - A B C 0 - D - E I = Additional Terminals

Additional Terminals	Configuration key
without terminal	0
blade terminal (6,3x0,8mm)	9

Variants

Distributor-Stock-Check | SCHURTER-Stock-Check | e-Store

Order Code	Description	Order Number
1601-X-4460-A-29	1601, IEC Appliance Inlet C20, 70°C I, L: PCB-terminal (standard), N: PCB-terminal (standard), ground: PCB-terminal (long), color: jet black; RAL9005, design: flange with through holes, additional terminal L: blade terminal (6,3x0,8mm)	6163.0018
1601-X-4460-A-20	1601, IEC Appliance Inlet C20, 70°C I, L: PCB-terminal (standard), N: PCB-terminal (standard), ground: PCB-terminal (long), color: jet black; RAL9005, design: flange with through holes, additional terminal L: without terminal	6163.0019

The listed variants should be available from stock. Other versions on request www.schurter.com/contact

Packaging unit 50 Pcs

Mating Outlets/Connectors

Category / Description

Connector



IEC connector C19, rewirable, straight	0104
IEC connector C19, rewirable, angled	1651
IEC connector C19, rewirable, straight	1652
IEC connector C19, rewirable, angled	4790
IEC connector C19, rewirable, straight	4795

Power Supply or Interconnection Cord



Power Cord with IEC Appliance Connector C19, straight, 70°C	1654
Power Supply Cord with IEC Connector C19, Power Plug North America, 70°C	6003.0395
Power Cord Medical Grade with IEC Appliance Connector C19, Line Plug North America, 70°C	6009.5195

