

## General-purpose power entry module FN 9260

- up to 6A current ratings
  - IEC 950-compliant
  - for one or two fuses (Ø5 x 20mm)
  - optional medical version (B type)
- 
- Nennstrom bis 6A
  - IEC 950 konform
  - Für eine oder zwei Sicherungen (Ø5 x 20mm)
  - Für medizinische Geräte als Option (Typ B)
- 
- courants de service pouvant atteindre 6A
  - conforme à CEI 950
  - pour un ou deux fusibles (Ø5 x 20mm)
  - version médicale en option (type B)



### Filter selection table

Choose the family FN xxx with the required body style and features, and add -?? to determine current rating, and /?? for output connections. Example: FN 9260-1/06 is a horizontal screw-mounting filter for twin fuses, rated for 1A, with fast-on outputs.

### Approvals



| Family           | Current ratings<br>A at 40°C (25°) |         |         |         | Output connection<br> | Housing<br> |   | For fuse(s)<br>Nbr. |
|------------------|------------------------------------|---------|---------|---------|-----------------------|-------------|---|---------------------|
|                  | 1 (1.2)                            | 2 (2.3) | 4 (4.6) | 6 (6.9) |                       |             |   |                     |
| FN 261 -?? /??   | -1                                 | -2      | -4      | -6      | /06                   | ✓           | - | 1                   |
| FN 261S -?? /??  | -1                                 | -2      | -4      | -6      | /06                   | -           | ✓ | 1                   |
| FN 9260 -?? /??  | -1                                 | -2      | -4      | -6      | /06                   | ✓           | - | 2                   |
| FN 9260S -?? /?? | -1                                 | -2      | -4      | -6      | /06                   | -           | ✓ | 2                   |

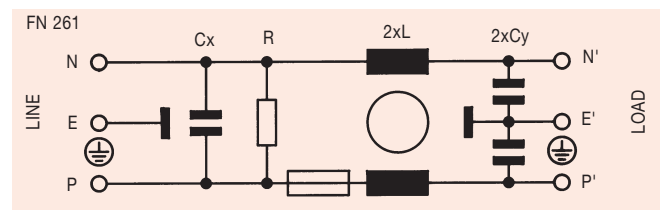
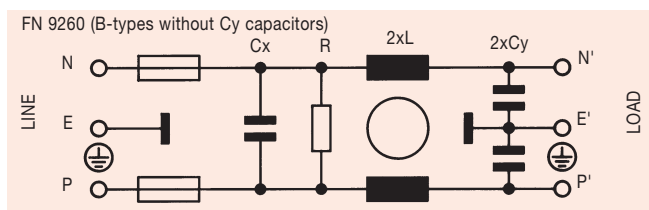
| Inductance L mH |     |   |     |
|-----------------|-----|---|-----|
| 5.3             | 2.7 | 1 | 0.3 |

### Additional specifications

| Filter type              | Capacitance |          | Maximum leakage<br>µA/phase | Res.<br>R<br>MΩ | Weight<br>g | Maximum operating volt. |       | Operating frequency<br>Hz | Hipot test voltage |            |
|--------------------------|-------------|----------|-----------------------------|-----------------|-------------|-------------------------|-------|---------------------------|--------------------|------------|
|                          | Cx<br>nF    | Cy<br>nF |                             |                 |             | VAC                     | Hz    |                           | PN→E<br>VAC        | P→N<br>VDC |
| All standard types       | 100         | 2.2      | 190                         | 1               | 50          | 250                     | 50/60 | DC to 400                 | 2000               | 1700       |
| FN 9260B types (medical) | 100         | -        | 2                           | 1               | 50          | 250                     | 50/60 | DC to 400                 | 2500               | 1700       |

MTBF at 40°C, 230V, per Mil-HB-217F: 2,200,000 hours

### Electrical schematics

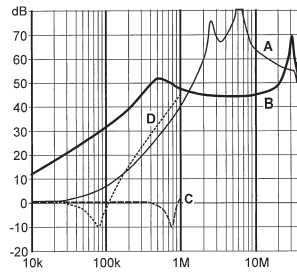


See tables for component values

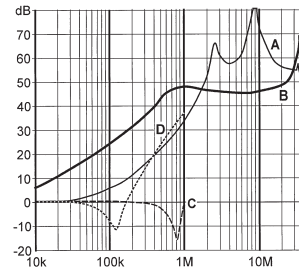
# FN 9260 insertion loss

Per CISPR 17; A = 50Ω/50Ω sym, B = 50Ω/50Ω asym, C = 0.1Ω/100Ω sym, D = 100Ω/0.1Ω sym

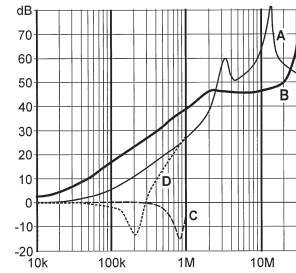
## 1 amp FN 26X types



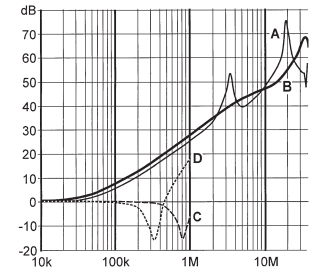
## 2 amp FN 26X types



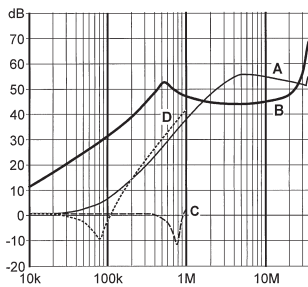
## 4 amp FN 26X types



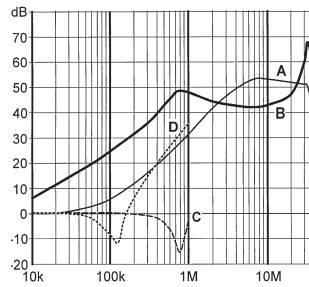
## 6 amp FN 26X types



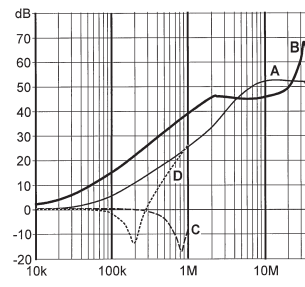
## 1 amp FN 926X types



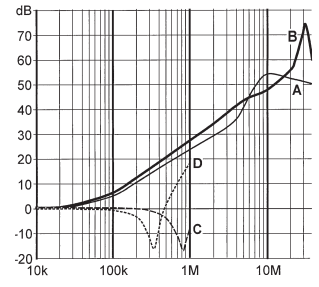
## 2 amp FN 926X types



## 4 amp FN 926X types



## 6 amp FN 926X types

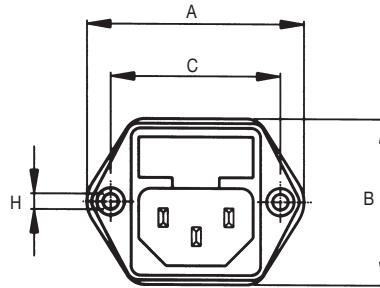


### Mechanical data

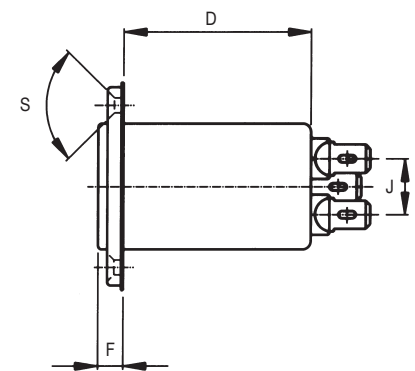
|          | FN 261<br>FN 9260         | FN 261S<br>FN 9260S | Tol.<br>mm |
|----------|---------------------------|---------------------|------------|
| <b>A</b> | 46                        | 34                  | ± 0.3      |
| <b>B</b> |                           | 35                  | ± 0.3      |
| <b>C</b> | 36                        |                     | ± 0.2      |
| <b>D</b> |                           | 41                  | ± 0.3      |
| <b>E</b> |                           | 27.9                | +0.2<br>-0 |
| <b>F</b> | 5.5                       |                     | ± 0.3      |
| <b>G</b> |                           | 32.2                | +0<br>-0.2 |
| <b>H</b> | ∅3.3                      |                     | ± 0.1      |
| <b>J</b> |                           | 12.5                | ± 0.3      |
| <b>M</b> | R<3.5                     |                     | -          |
| <b>N</b> | 33.2                      | 29.5                | ± 0.1      |
| <b>P</b> | 29.2                      | 33.0                | ± 0.1      |
| <b>R</b> | M3                        |                     | -          |
| <b>S</b> | 90°                       |                     | -          |
| <b>T</b> | panel thickness 1.0-1.6mm |                     | -          |

### FN 261/FN 9260

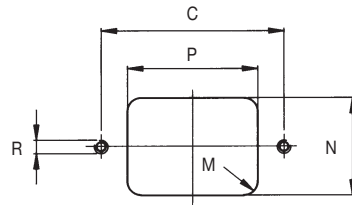
#### FRONT



#### TOP

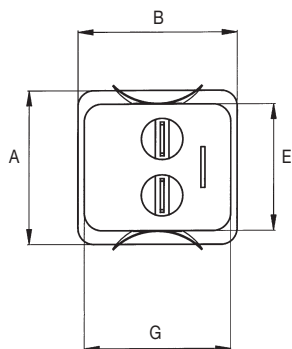


#### PANEL CUT-OUT

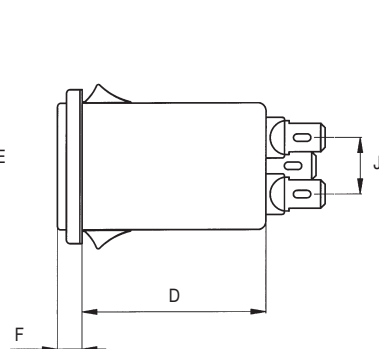


### FN 261S/FN 9260S

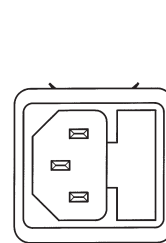
#### REAR



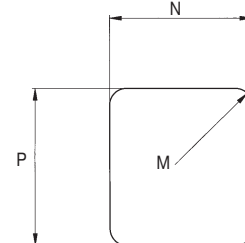
#### TOP



#### FRONT

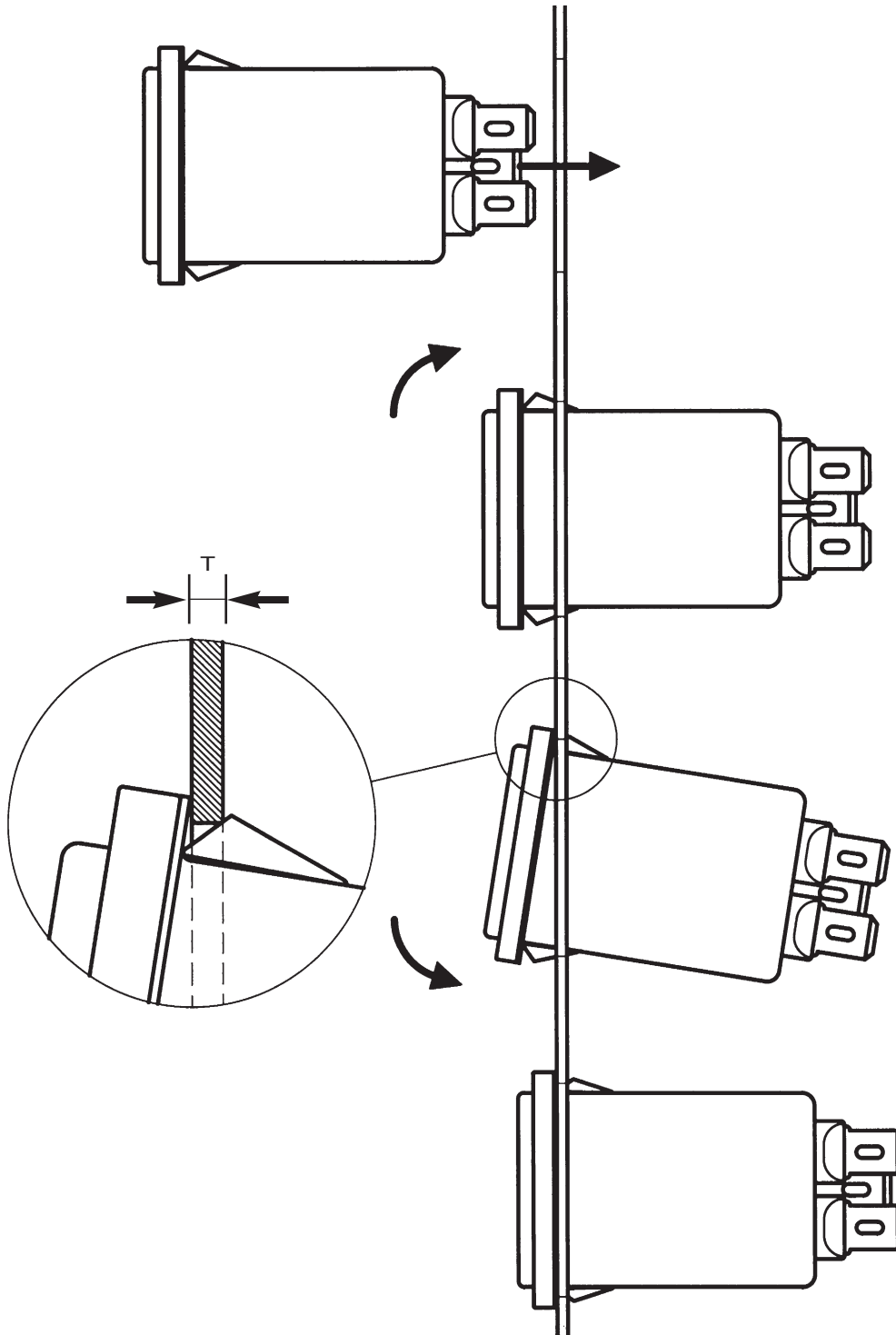


#### PANEL CUT-OUT



All dimensions in mm; 1 inch = 25.4mm

## Installation instructions snap-in FN 9222S/FN 9223S/FN 9224S/FN 9260S



| Filter type<br>FN 92xxS-??/?? | Thickness of mounting<br>panels T |
|-------------------------------|-----------------------------------|
| - 05                          | 0.5 - 1.0mm                       |
| - 10                          | 1.0 - 1.5mm                       |
| - 15                          | 1.5 - 2.0mm                       |