

IEC appliance outlet J, snap-in/screw-on mounting, front side, solder/quick connect terminal

new



Snap-in mounting



Screw-on mounting



Description

- Panel Mount:
- Snap-in or screw-on mounting, from front side
- 1 Function:
- Outlet, Pin temperature 70 °C Protection class I
- Solder terminals or quick connect terminals Substitute for type

Characteristics

- Qualified for use in equipment according IEC/EN 60950

Other versions on request

- Other panel thickness
- For protection class II

Weblinks

Approvals: www.schurter.com/approvals
 RoHS: <http://www.schurter.com/rohs>
 CHINA-RoHS: www.schurter.com/china-rohs
 Webstore: www.schurterinc.com/estore/search.ihtml

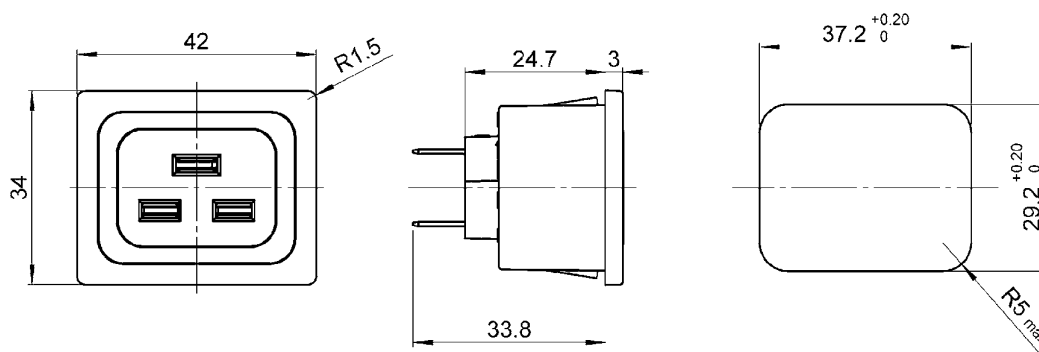
Technical Data

Ratings IEC	16A / 250VAC; Hz 50
Ratings UL/CSA	20A / 250VAC; 60Hz
Dielectric Strength	> 2.5kVAC between L-N > 3kVAC between L/N-PE (1 min/50Hz)
Allowable Operation Temp.	-25 °C to 70 °C
Protection Class	Suitable for appliances with protection class I or II acc. to IEC 61140
Terminal	Solder terminals or quick connect terminals
Panel Thickness s	Screw-on: max 8mm Mounting screw torque max 0.5Nm Snap-in: 0.8mm to 3mm
Material: Housing	Thermoplastic, black, UL 94V-0

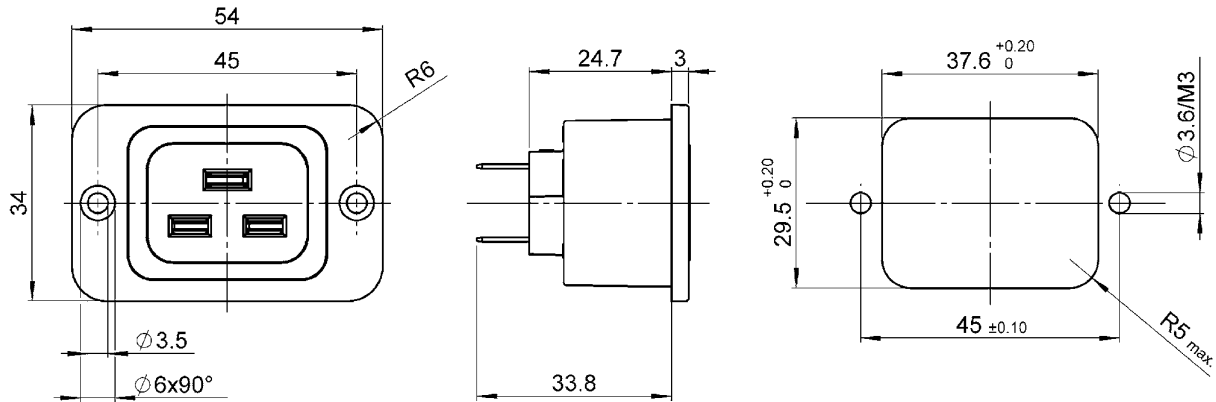
Appliance-Inlet /-Outlet	J acc. to IEC/EN 60320-2-2 UL 498, CSA C22.2 no. 42 (for cold condition) pin-temperature 70 °C, 16A, Protection class I
--------------------------	--

Dimensions

Snap-in mounting



Screw-on mounting



Variants

[Webstore](#)

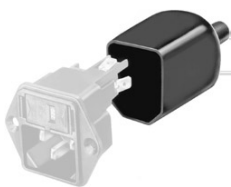
Panel mounting	Panel Thickness s [mm]	Terminal	Protection Class	Order Number
Snap-in	1.5	Quick connect terminals 6.3 x 0.8 mm	I	4797.0015
Snap-in	2	Quick connect terminals 6.3 x 0.8 mm	I	4797.0020
Snap-in	2.5	Quick connect terminals 6.3 x 0.8 mm	I	4797.0025
Snap-in	2	Solder terminals	I	4797.3020
Snap-in	2.5	Solder terminals	I	4797.3025
Screw-on	-	Quick connect terminals 6.3 x 0.8 mm	I	4797.0000
Screw-on	-	Solder terminals	I	4797.3000

Packaging unit

50 Pcs

Accessory

Description



[Assorted Covers](#)
Rear Cover



[Cord retaining kits](#)
Cord retaining strain relieve