

Inlet filter, front side mounting, fuseholder 5x20 mm

Plug removal necessary for fuse replacement



Socket and fuse-carrier included

Socket and fuse-carrier included



Description

- Panel Mount:
 - Snap-in or screw-on mounting from front side
- 3 Functions:
 - Appliance Inlet Protection class I, Fuseholder for fuse-links 5 x 20 mm
 - 1-pole, Line filter in standard and medical version
- Quick connect terminals 6,3 x 0,8 mm
- Alternative: version without line filter [6200](#)

Approvals

- VDE License Number: 101307
- UL License Number: E72928
- CSA License Number: 97784

Characteristics

- All single elements are already wired
- Plug removal necessary for fuse-link replacement
 - Fuse drawer meets requirements of medical standard IEC/EN 60601-1
 - The fuseholder is accessible from the equipment front
- Qualified for use in equipment according IEC/EN 60950

References

[General Product Information](#)

Weblinks

[Approvals, RoHS, CHINA-RoHS, e-Store, SCHURTER-Stock-Check, Distributor-Stock-Check](#)

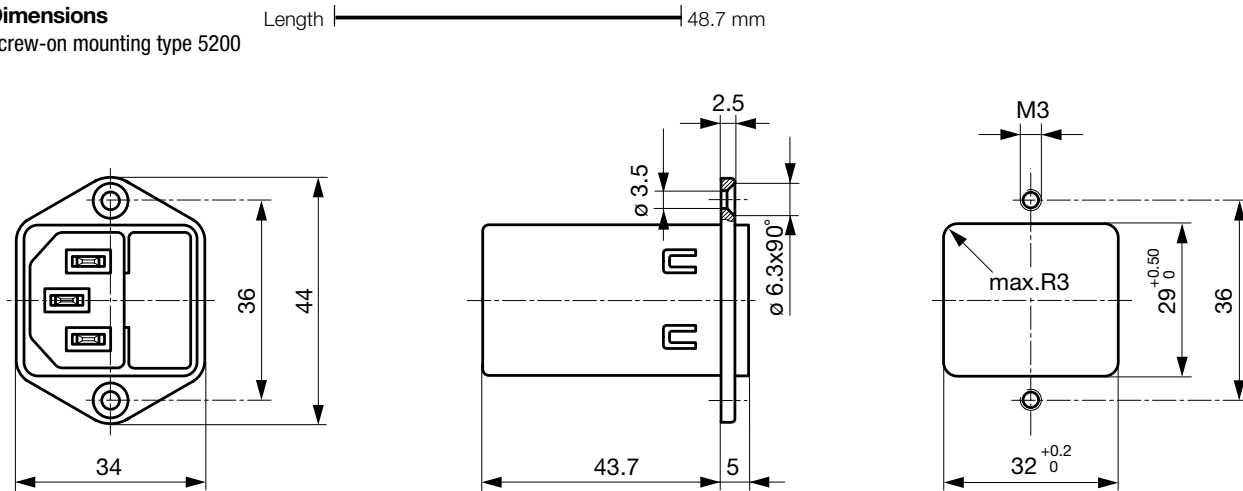
Technical Data

Ratings IEC	1 - 10A @ Ta 40 °C / 250VAC; 50 Hz
Ratings UL/CSA	1 - 10A @ Ta 40 °C / 125VAC; 60 Hz
Leakage Current	standard < 0.5 mA (250 V / 60 Hz) medical < 5 µA (250 V / 60 Hz)
Dielectric Strength	> 1.7 kVDC between L-N > 2.7 kVDC between L/N-PE Test voltage (2 sec)
Allowable Operation Temp.	-25 °C to 85 °C
Climatic Category	25/085/21 acc. to IEC 60068-1
Degree of Protection	from front side IP 40 acc. to IEC 60529
Protection Class	Suitable for appliances with protection class I acc. to IEC 61140
Terminal	Quick connect terminals 6.3 x 0.8 mm
Panel Thickness s	Screw-on: max 8 mm Mounting screw torque max 0.5 Nm Snap-in: 0.8 mm to 3 mm
Material: Housing	Thermoplastic, black, UL 94V-0

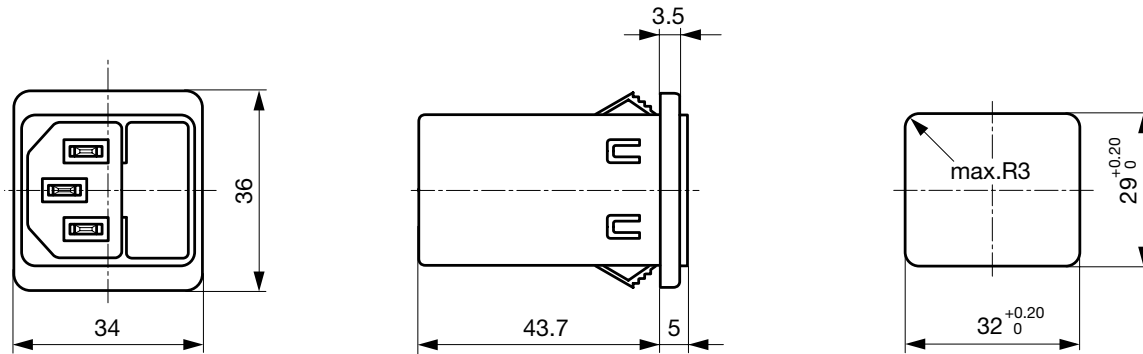
Appliance-Inlet/-Outlet	C14 acc. to IEC/EN 60320-1, UL 498, CSA C22.2 no. 42 (for cold conditions) pin-temperature 70 °C, 10A, Protection class I
Fuseholder	1 pole, Shocksafe category PC2 acc. to IEC 60127-6, for fuse-links 5 x 20 mm
Rated Power Acceptance @ Ta 23 °C	5 x 20: 2W (1 pole)
Power Acceptance @ Ta > 23°C	Admissible power acceptance at higher ambient temperature see derating curves
Line Filter	Standard and Medical Version, IEC 60939, IEC 60601-1, UL 1283, UL 544, EN 133 200, CSA C22.2 no. 8 Technical details
MTBF	> 2'300'000h acc. to MIL-HB-217 F

Dimensions

Screw-on mounting type 5200



Snap-in mounting type 5200



Technical Data of Filter-Components

Rated Current [A]	Filter-Type	Inductances L [mH]	Capacitance CX [nF]	Capacitance CY [nF]	R [MΩ]
1	Standard Version	2 x 11	47	2.2	-
2	Standard Version	2 x 4	47	2.2	-
4	Standard Version	2 x 1.6	47	2.2	-
6	Standard Version	2 x 0.7	47	2.2	-
8	Standard Version	2 x 0.6	47	2.2	-
10	Standard Version	2 x 0.4	47	2.2	-
1	Medical Version (M5)	2 x 11	47	-	1
2	Medical Version (M5)	2 x 4	47	-	1
4	Medical Version (M5)	2 x 1.6	47	-	1
6	Medical Version (M5)	2 x 0.7	47	-	1
8	Medical Version (M5)	2 x 0.6	47	-	1
10	Medical Version (M5)	2 x 0.4	47	-	1

Variants

Socket and fuse-carrier included

Rated Current [A]	Filter-Type	Panel mounting	Fuseholder	Order Number
1	Standard Version	Screw-on	1 pole	5200.0123.1
2	Standard Version	Screw-on	1 pole	5200.0223.1
4	Standard Version	Screw-on	1 pole	5200.0423.1
6	Standard Version	Screw-on	1 pole	5200.0623.1
8	Standard Version	Screw-on	1 pole	5200.0823.1
10	Standard Version	Screw-on	1 pole	5200.1023.1
1	Standard Version	Snap-in	1 pole	5200.0143.1
2	Standard Version	Snap-in	1 pole	5200.0243.1
4	Standard Version	Snap-in	1 pole	5200.0443.1
6	Standard Version	Snap-in	1 pole	5200.0643.1
8	Standard Version	Snap-in	1 pole	5200.0843.1
10	Standard Version	Snap-in	1 pole	5200.1043.1
1	Medical Version (M5)	Screw-on	1 pole	5200.0123.3
2	Medical Version (M5)	Screw-on	1 pole	5200.0223.3
4	Medical Version (M5)	Screw-on	1 pole	5200.0423.3
6	Medical Version (M5)	Screw-on	1 pole	5200.0623.3
8	Medical Version (M5)	Screw-on	1 pole	5200.0823.3
10	Medical Version (M5)	Screw-on	1 pole	5200.1023.3
1	Medical Version (M5)	Snap-in	1 pole	5200.0143.3
2	Medical Version (M5)	Snap-in	1 pole	5200.0243.3
4	Medical Version (M5)	Snap-in	1 pole	5200.0443.3
6	Medical Version (M5)	Snap-in	1 pole	5200.0643.3
8	Medical Version (M5)	Snap-in	1 pole	5200.0843.3
10	Medical Version (M5)	Snap-in	1 pole	5200.1043.3

Packaging unit 10 Pcs

Accessory

Description



Assorted Covers
Rear Cover

0859.0075



Cord retaining kits
Cord retaining strain relieve

Countersunk, B

4700.0002