

Inlet C20 with filter, ECO design, front or rear side mounting

Standard- or Medical-Filter

new

Screw-on or rivet mounting from front or rear side
Screw-On VersionScrew-on mounting from rear side, integrated
thread
Screw-On VersionSnap-in mounting from front side
Snap-In Version

C20



70° C

**Description**

- Panel Mount:
Screw-on version from front or rear side, snap-in version from front side
- 2 Functions:
Appliance Inlet Protection class I, Line filter in standard and medical version
- Quick connect terminals
- Fits to type: [Kabelverbindung/16 A; 4790; 4795 Kabelverbindung/16 A; 0104; 1651; 1652; 1654; 4790; 4795](#)

Approvals

- VDE License Number: 104884
- UL License Number: E72928

Characteristics

- Optimal shielding due to completely closed filter case, unpotted
Suitable for assembly in metal plated plastic housings
- Version with class X1 and X2 (standard version) capacitors
- Universal line filter for standard applications
Designed for standard and medical applications
- Qualified for use in equipment according IEC/EN 60950

Other versions on request

- Solder terminals
- Medical version M80
- Capacity CX 330 nF

References

[General Product Information](#)

Weblinks

[Approvals](#), [RoHS](#), [CHINA-RoHS](#), [e-Store](#), [SCHURTER-Stock-Check](#), [Distributor-Stock-Check](#)

Technical Data

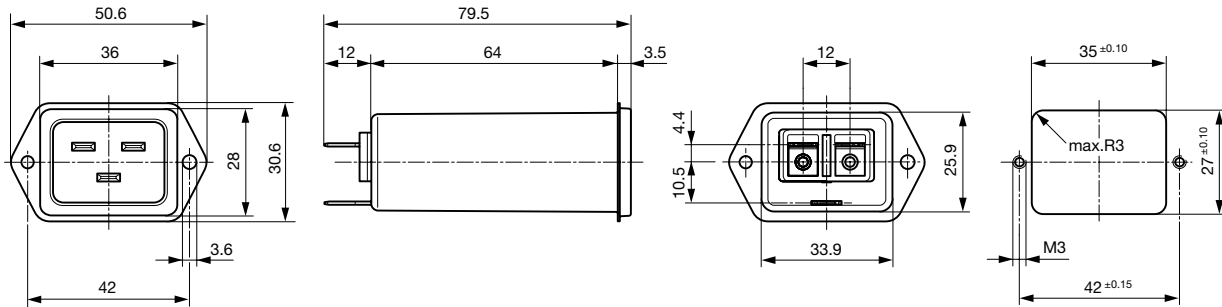
Ratings IEC	16A @ Ta 40 °C / 250VAC; 50Hz
Ratings UL/CSA	20A @ Ta 40 °C / 250VAC; 60Hz
Leakage Current	standard < 0.5mA (250V / 60Hz) medical < 5 µA (250 V / 60 Hz)
Dielectric Strength	> 1.7 kVDC between L-N > 2.7 kVDC between L/N-PE Test voltage (2 sec)
Impulse Withstand Voltage	> 2.5kV between L-N (CX2) > 4 kV between L-N (CX1) > 5kV between L/N-PE (Cy2) voltage (1.2/50 µs)
Allowable Operation Temp.	-25 °C to 85 °C
Climatic Category	25/085/21 acc. to IEC 60068-1
Degree of Protection	from front side IP 40 acc. to IEC 60529
Protection Class	Suitable for appliances with protection class I acc. to IEC 61140
Terminal	Quick connect terminals 6.8 x 0.8 mm
Panel Thickness s	Screw-on: max 8 mm Mounting screw torque max 0.5Nm Snap-in: 0.8mm to 3 mm (all steps with one variant)
Material: Housing	Themoplast / steel tin-plated, black / metallic, UL 94V-0

Appliance-Inlet/-Outlet	C20 acc. to IEC/EN 60320-1, UL 498, CSA C22.2 no. 42 (for cold conditions) pin-temperature 70 °C, 16A, Protection class I
Line Filter	Standard and Medical Version, IEC 60939, IEC 60601-1, UL 1283, UL 544, EN 133 200, CSA C22.2 no. 8 Technical details
MTBF	> 3'000'000h acc. to MIL-HB-217 F

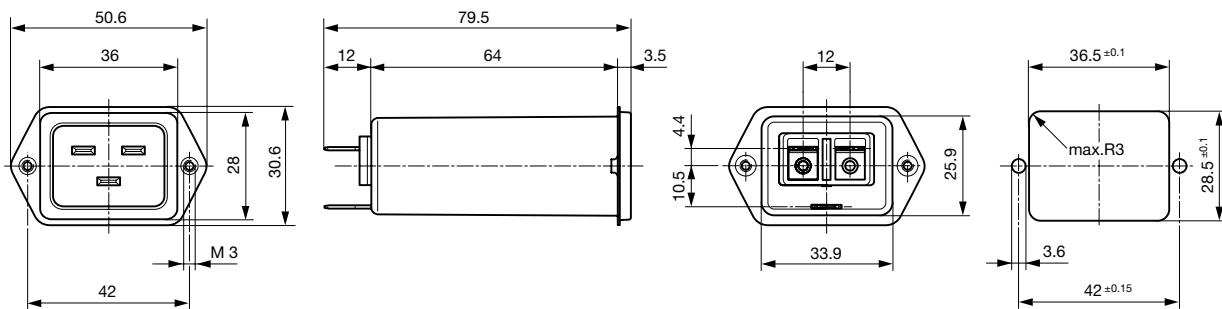
Dimensions

Length  79.5 mm

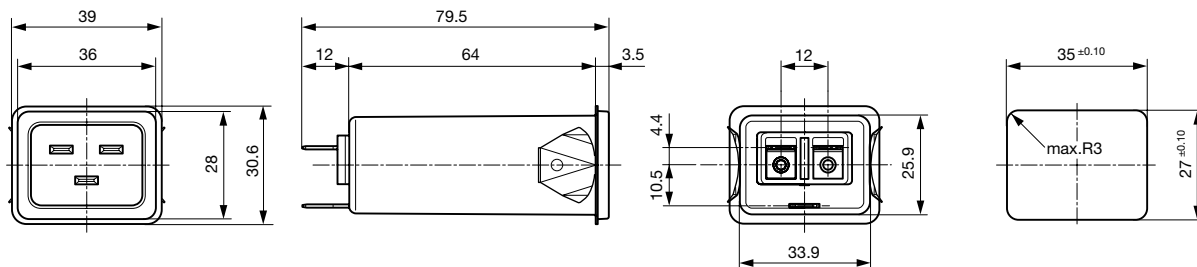
Front or rear side mounting for screws with nuts or blind rivets



Rear side mounting with pre-formed, threaded holes for M3 screws



Snap-in mounting from front side

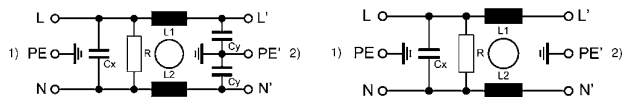


Technical Data of Filter-Components

Rated Current [A]	Filter-Type	Inductances L [mH]	Capacitance CX [nF]	Capacitance CY [nF]	R [MΩ]
16	Standard Version	2 x 0.6	100	2.2	1
20	Standard Version	2 x 0.3	100	2.2	1
16	Medical Version (M5)	2 x 0.6	100	-	1
20	Medical Version (M5)	2 x 0.3	100	-	1

Diagrams

Standard or medical version (M80) Medical version (M5)



1) Line
2) Load

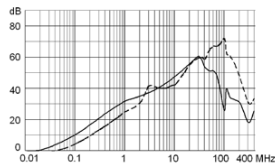
1) Line
2) Load

Attenuation Loss

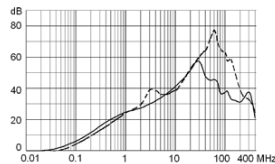
--- differential mode ____ common mode

Standard version

16 A

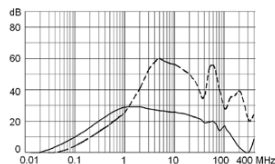


20 A

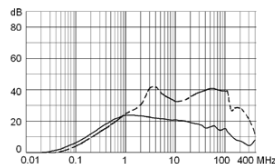


Medical version (M5)

16 A



20 A



Variants

Rated Current IEC [A]	Rated Current UL [A]	Filter-Type	Panel mounting	Mounting side	Terminal	Capacitor	Order Number
16	16	Standard Version	Screw-on/Rivet	Front-Side	Quick connect terminals	X2	5130.0000
16	20	Standard Version	Screw-on/Rivet	Front-Side	Quick connect terminals	X2	5130.0001
16	16	Standard Version	Screw-on/Rivet	Front-Side	Quick connect terminals	X1	5130.0100
16	20	Standard Version	Screw-on/Rivet	Front-Side	Quick connect terminals	X1	5130.0101
16	16	Standard Version	Screw-on	Rear-Side	Quick connect terminals	X2	5130.1000
16	20	Standard Version	Screw-on	Rear-Side	Quick connect terminals	X2	5130.1001
16	16	Standard Version	Screw-on	Rear-Side	Quick connect terminals	X1	5130.1100
16	20	Standard Version	Screw-on	Rear-Side	Quick connect terminals	X1	5130.1101
16	16	Standard Version	Snap-in	Front-Side	Quick connect terminals	X2	5130.2000
16	20	Standard Version	Snap-in	Front-Side	Quick connect terminals	X2	5130.2001
16	16	Standard Version	Snap-in	Front-Side	Quick connect terminals	X1	5130.2100
16	20	Standard Version	Snap-in	Front-Side	Quick connect terminals	X1	5130.2101
16	16	Medical Version (M5)	Screw-on/Rivet	Front-Side	Quick connect terminals	X2	5130.0200
16	20	Medical Version (M5)	Screw-on/Rivet	Front-Side	Quick connect terminals	X2	5130.0201
16	16	Medical Version (M5)	Screw-on/Rivet	Front-Side	Quick connect terminals	X1	5130.0300
16	20	Medical Version (M5)	Screw-on/Rivet	Front-Side	Quick connect terminals	X1	5130.0301

Rated Current IEC [A]	Rated Current UL [A]	Filter-Type	Panel mounting	Mounting side	Terminal	Capacitor	Order Number
16	16	Medical Version (M5)	Screw-on	Rear-Side	Quick connect terminals	X2	5130.1200
16	20	Medical Version (M5)	Screw-on	Rear-Side	Quick connect terminals	X2	5130.1201
16	16	Medical Version (M5)	Screw-on	Rear-Side	Quick connect terminals	X1	5130.1300
16	20	Medical Version (M5)	Screw-on	Rear-Side	Quick connect terminals	X1	5130.1301
16	16	Medical Version (M5)	Snap-in	Front-Side	Quick connect terminals	X2	5130.2200
16	20	Medical Version (M5)	Snap-in	Front-Side	Quick connect terminals	X2	5130.2201
16	16	Medical Version (M5)	Snap-in	Front-Side	Quick connect terminals	X1	5130.2300
16	20	Medical Version (M5)	Snap-in	Front-Side	Quick connect terminals	X1	5130.2301

Type for screw on mounting from rear side has pre-threaded holes for M3 screws

Packaging unit 20 Pcs

Accessory

Description



Assorted Covers
Rear Cover

0859.0047



Cord retaining kits
Cord retaining strain relieve

Flat head, L

4700.0011

Passender Stecker

Category / Description



Connector

IEC connector C19, rewirable, angled

4790

IEC connector C19, rewirable, straight

4795

Power Supply or Interconnection Cord

Kabelverbindung/16 A

Passende Dose



Connector

IEC connector C19, rewirable, straight

0104

IEC connector C19, rewirable, angled

1651

IEC connector C19, rewirable, straight

1652

IEC connector C19, rewirable, angled

4790

IEC connector C19, rewirable, straight

4795