

IEC cord connector C19, rewirable, straight



4795

C19



70° C

**Description**

- Connector: Screw-on
- Outlet, Pin temperature 70 °C, Protection class I
- Cable

Approvals

- VDE License Number: 40009206
- UL License Number: E103791
- CSA License Number: 205419

Characteristics

- Qualified for use in equipment according IEC/EN 60950

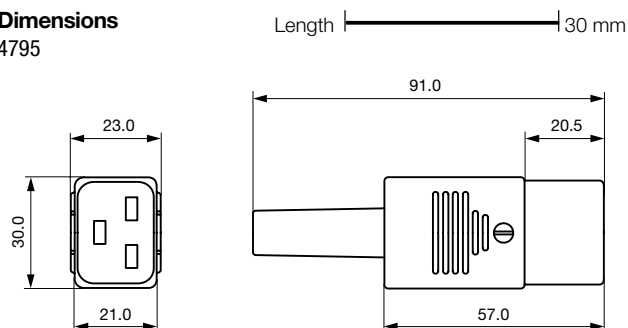
Technical Data

Ratings IEC	16A / 250VAC; 50Hz
Ratings UL/CSA	21A / 250VAC; 60Hz
Dielectric Strength	> 2 kVAC between L-N > 2 kVAC between L/N-PE (1 min/50Hz)
Allowable Operation Temp.	-25 °C to 70 °C
Protection Class	Suitable for appliances with protection class I acc. to IEC 61140
Terminal	Cable
Material: Housing	Thermoplastic, black, UL 94V-0

Appliance-Inlet/-Outlet	C19 acc. to IEC/EN 60320-1, UL 498, CSA C22.2 no. 42 (for cold conditions) pin-temperature 70 °C, 16A, Protection class I
-------------------------	---

Dimensions

4795

**Variants**

Color	Max. cable diameter	Max. wire size	Order Number
black	10.0 mm	3 x 2.1 mm ² / 3 x 14 AWG	4795.0000

Max. torque for screws: Terminal: 0.5 Nm, Cable clamp: 0.3 Nm, Cover: 0.3 Nm

Cord retaining clamp see accessories

Packaging unit 100 Pcs