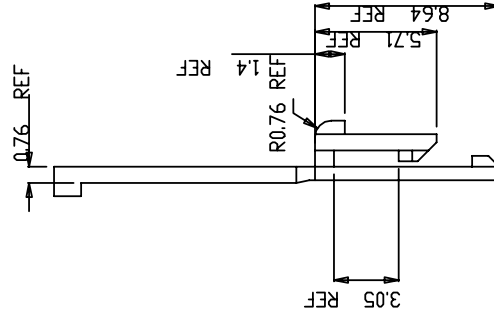
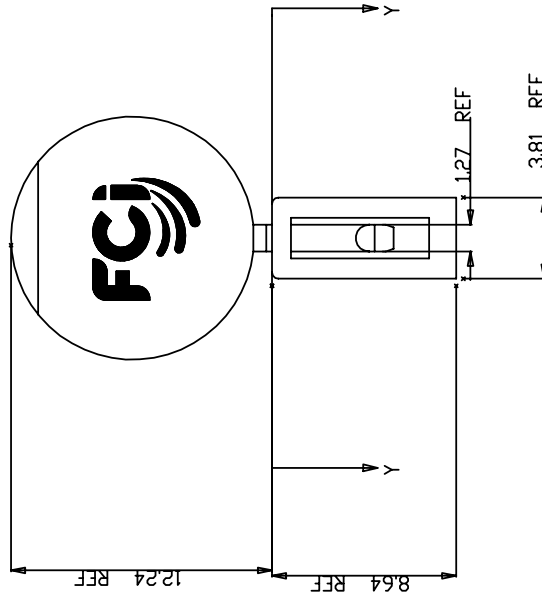
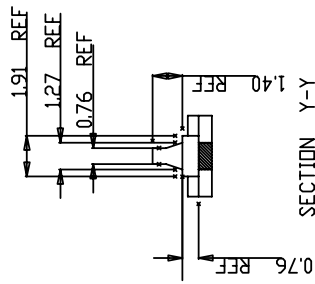




PRODUCT NO
SEE TABLE



NOTES:
1. MAT'L SEE TABLE.
2. COLOR: SEE TABLE.
3. PART NUMBERS WITH LF IN THE END ARE LEAD FREE.

Mark with 66423B REV. in area indicated by X.....		Material -		Spec ref surface -		tolerance		projection	
rev	ecn no	dr	date	Dr	J.M.BAIR	3/2/91	Product family	size	A4
D	V10391	JWB	3/2/91	Eng	M.C.SMYK	3/2/91	QUICKIE	ECN	N06-0282
E	N06-0088	LONG	4/06/06	Chr	M.C.SMYK	3/2/91	Model Name	REL Level	
F	N06-0282	VG	11/8/06	Appr	M.C.SMYK	3/2/91	Model Revision		
TOLERANCES UNLESS OTHERWISE SPECIFIED		0X	±0.3	FCI logo		HEADER POLARIZING KEY		Rev.	F
LINEAR	0XX	±0.10		Prto/E file	66423	CUSTOMER	sheet 1 of 2		
ANGULAR	0°	±0.50		catalog no					
		42°							

STYLE A

A

B

C

D

4

3

2

1

4

3

2

1

