

3M™ PC Card Header

Single Slot, Low Profile, No Ejector, Standard Footprint

MCH Series



- Meets PCMCIA specifications
- Tapered header pins provide easy insertion
- High temperature plastic insulator
- Stand-off height options
- Solder retention clips and plastic pegs for secure hold-down

Date Modified: August 2, 2005

TS-2114-01
Sheet 1 of 3

Physical

Insulation

Material: LCP
Flammability: UL 94V-0
Color: Black

Contact

Material: Copper Alloy (C521)

Plating

Underplating: 50 μ " [1.27 μ m] Nickel
Wiping Area: Gold flash over 27 μ " [.68 μ m] PdNi
Solder Tails: 100 μ " [2.54 μ m] Tin/Lead

Mechanical:

Durability-Office Environment: 10,000 cycles minimum
Insertion Force: 8.8 lbs. (39.2 N) maximum
Extraction Force: 1.5 lbs. (6.67 N) minimum and 8.8 lbs. (39.2 N) maximum

Electrical

Current Rating: 0.5 A
Insulation Resistance: $> 5 \times 10^9 \Omega$ at 500 VDC
Withstanding Voltage: 500 Vrms for 1 Minute

Environmental

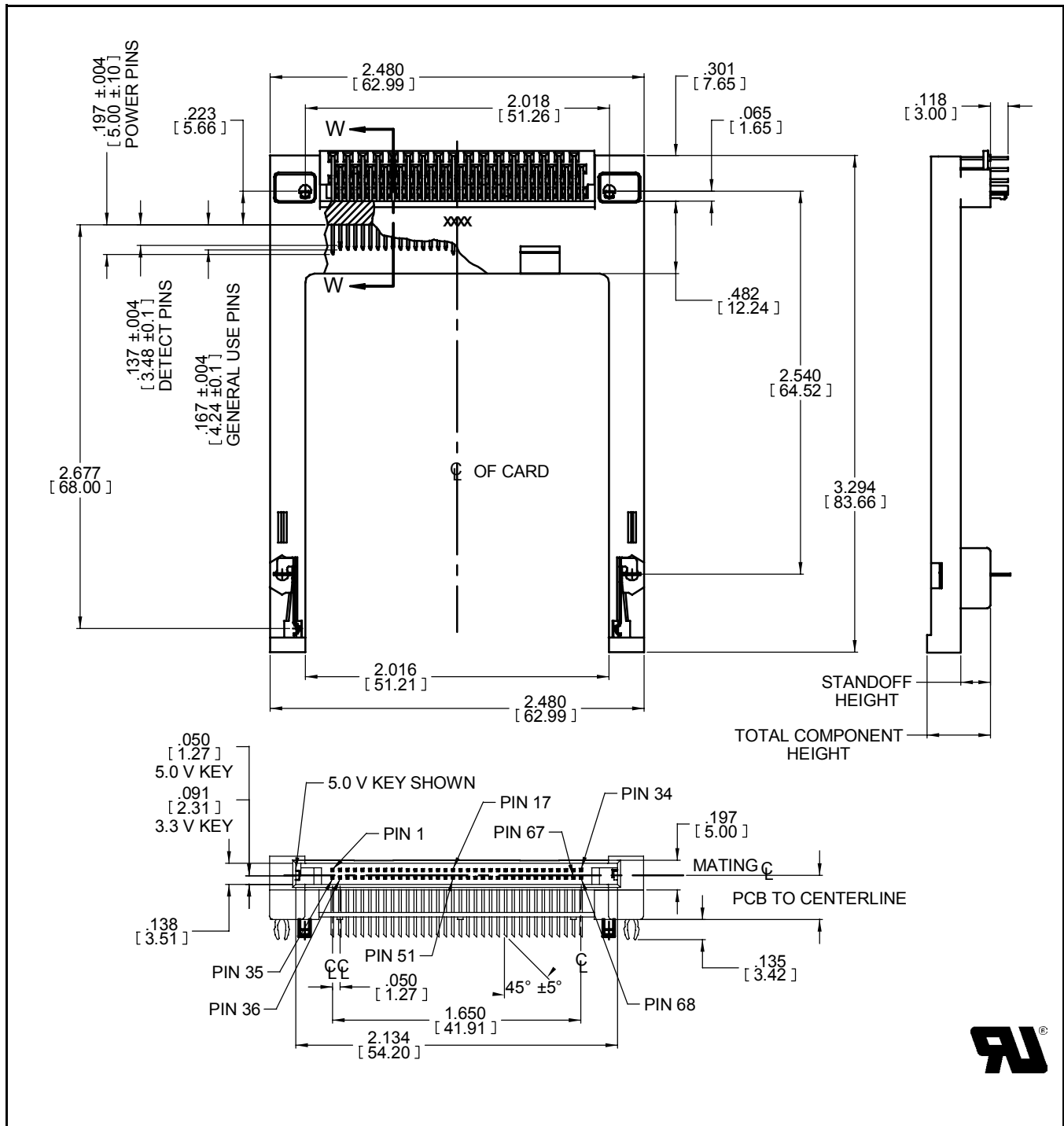
Temperature Rating:
Operating Environment: -20°C to +60°C, 95% RH Non-condensing

UL File No.: E68080

3M™ PC Card Header

Single Slot, Low Profile, No Ejector, Standard Footprint

MCH Series



Ordering Information

MCH - 068TAN - XX LPK X - TR30

Insulator Body Style
 01 = No standoff
 03 = 7.0 mm standoff
 07 = 5.0 mm standoff

ESD/Solder Retention Clips
 K = ESD/Solder Retention Clips, plastic pegs @ 2.018"

Keying
 Blank = 5.0 volt
 03 = 3.3 volt

TS-2114-01
 Sheet 2 of 3

Important Notice

All statements, technical information, and recommendations related to 3M's products are based on information believed to be reliable, but the accuracy or completeness is not guaranteed. Before using this product, you must evaluate it and determine if it is suitable for your intended application. You assume all risks and liability associated with such use. Any statements related to the product which are not contained in 3M's current publications, or any contrary statements contained on your purchase order shall have no force or effect unless expressly agreed upon, in writing, by an authorized officer of 3M.

3M

Electronics

6801 River Place Blvd.
Austin, TX 78726-9000
800/328-1368
www.3M.com/electronics

Warranty; Limited Remedy; Limited Liability.

This product will be free from defects in material and manufacture for a period of one (1) year from the time of purchase. **3M MAKES NO OTHER WARRANTIES INCLUDING, BUT NOT LIMITED TO, ANY IMPLIED WARRANTY OF MERCHANTABILITY OR FITNESS FOR A PARTICULAR PURPOSE.** If this product is defective within the warranty period stated above, your exclusive remedy shall be, at 3M's option, to replace or repair the 3M product or refund the purchase price of the 3M product. **Except where prohibited by law, 3M will not be liable for any indirect, special, incidental or consequential loss or damage arising from this 3M product, regardless of the legal theory asserted.**



Minimum 10%
Post-Consumer Fiber

Printed in USA.

© 3M 2005