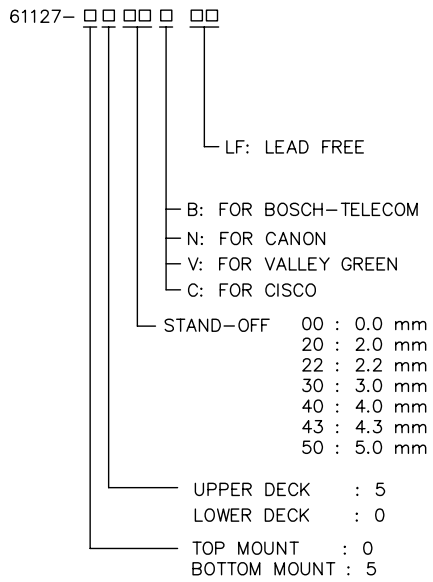
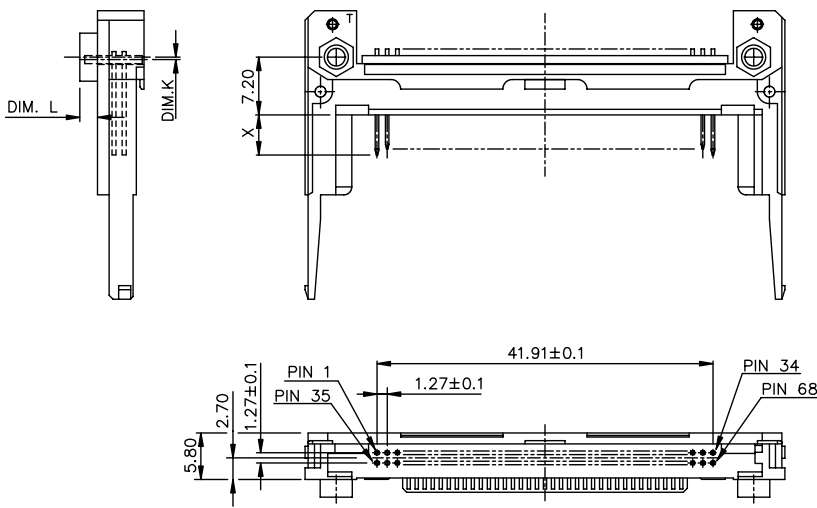


Tous droits strictement réservés. Reproduction ou communication o des tiers int
 procédé de BERG ELECTRONICS sans autorisation écrite du propriétaire.
 Droits de reproduction BERG ELECTRONICS by

All rights strictly reserved. Reproduction or issue to third parties in any for
 procedure without written authority from the proprietor.
 Copyright BERG ELECTRONICS by



61127-0522C/0522CLF	0	6.55
61127-0543C/0543CLF	0	6.55
61127-0550C/0550CLF	0	6.55
61127-0043C/0043CLF	4.3	-0.3
61127-0050C/0050CLF	5	-0.3
61127-0022C/0022CLF	2.2	-0.3
61127-0022B/0022BLF	2.2	-0.3
61127-0022/0022LF	2.2	-0.3
61127-0522/0522LF	0	6.55
61127-0543/0543LF	0	6.55
61127-0550/0550LF	0	6.55
61127-0500/0500LF	0	10.0
61127-0100/0100LF	0	2.15
61127-0050N/0050NLF	5	-0.3
61127-0043/0043LF	4.3	-0.3
61127-0050/0050LF	5	-0.3
61127-0022V/0022VLF	2.2	2.15
PRODUCT NO.	DIM.L	DIM.K±0.20

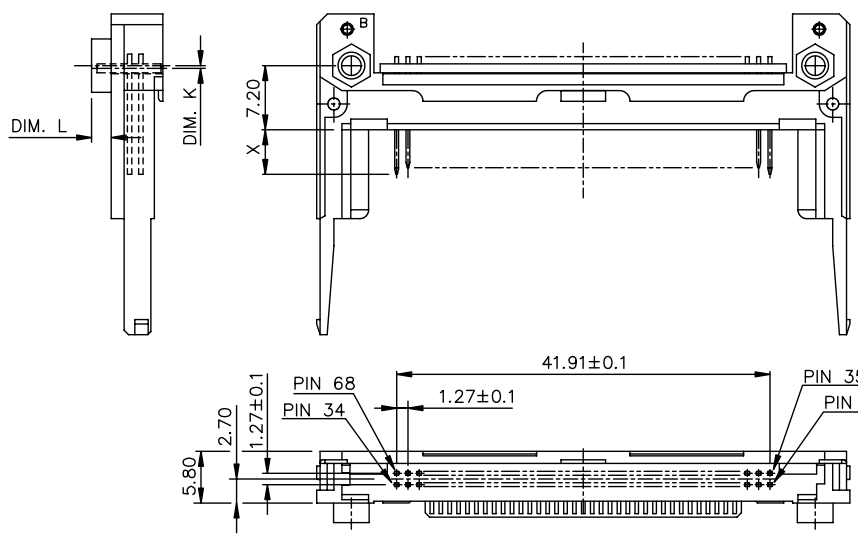
DIM"x"			
PIN NUMBER	4.25±0.1	3.5±0.1	5.0±0.1
	OTHERS	36,67	1,17,34

mat'l code		tolerance unless otherwise specified		CUSTOMER COPY		FCI		www.fciconnect.com				
rev.	ecn no.	dr	date	linear	±0.30	projection	title 3.3V EJECTOR HEADER ASS'Y (ABOVE BOARD)					
J	N04-0030	P	H	07/21/04								
K	N05-0140	W	B	05/31/05								
D	T00131	W	L	05/02/00	angles	± 2°						
E	T10263	W	L	10/16/01	dr	WENDY CHEN	07/11/95	unit	product family	PWGMA	code	
F	T10321	W	L	11/16/01	enrg	L.W. LU	07/11/95	mm/inch	size	dwg no.		
G	T20036	W	L	01/30/02	chr	JOSEPH HSIA	07/11/95	scale	2:1	A3	61127	sheet 1 of 5
H	T03-0216	W	L	06/09/03	appd	JENN TSAO	07/11/95					
sheet	revision	K	J	K	J	J						
index	sheet	1	2	3	4	5						

PDM: Rev:K STATUS: Released Printed: Oct 12, 2010

Tous droits strictement réservés. Reproduction ou communication, o des tiers int
 propreté de BERG ELECTRONICS.
 Droits de reproduction BERG ELECTRONICS by

All rights strictly reserved. Reproduction or issue to third parties in any for
 measure is not permitted without written authority from the proprietor.
 Copyright BERG ELECTRONICS by



DIM"X"			
PIN NUMBER	4.25±0.1	3.5±0.1	5.0±0.1
OTHERS	36,67	1,17,34	35,51,68

61127-5022/5022LF	2.2	-0.3
61127-5522/5522LF	0	6.55
61127-5543/5543LF	0	6.55
61127-5550/5550LF	0	6.55
61127-5500/5500LF	0	10.0
61127-5043/5043LF	4.3	-0.3
61127-5050/5050LF	5	-0.3
PRODUCT NO.	DIM.L	DIM.K±0.20

mat'l code		tolerance unless otherwise specified		CUSTOMER COPY		 www.fciconnect.com		
rev.	ecn no.	dr	date	linear	±0.30	projection	title	
J				angles	± 2°		68PDS. EJECTOR HEADER HEADER ASS'Y	
				dr	WENDY CHEN 10/16/01	unit	product family	
				enrg	MINERVA WANG 10/16/01	mm/inch	PWGMA	
				chr	MINERVA WANG 10/16/01	scale	code	
				appd	JENN TSAO 10/16/01	2:1	61127	
sheet	revision							code
index	sheet							sheet 2 of

PDM: Rev:K STATUS **Released** Printed: Oct 12, 2010

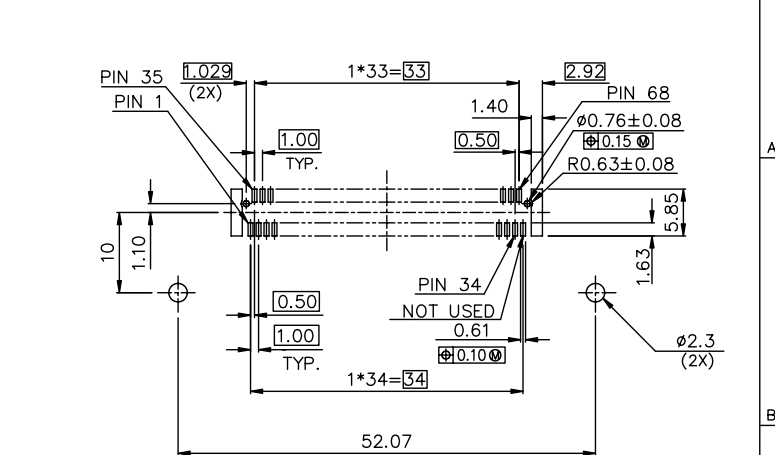
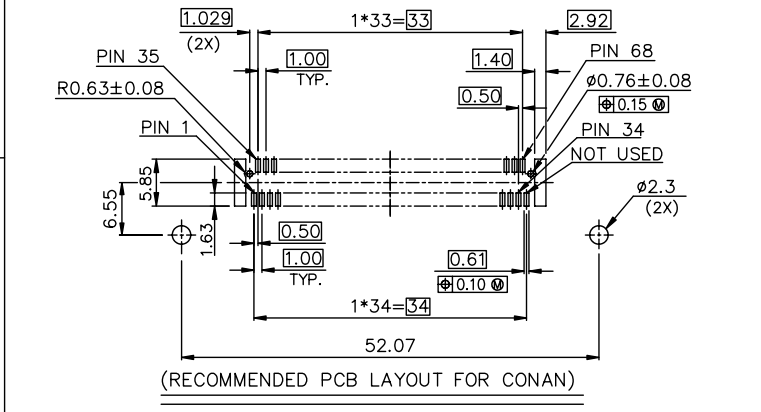
Tous droits strictement réservés. Reproduction ou communication, o des tiers int
 procédé de BERG ELECTRONICS sans autorisation écrite du propriétaire.
 Droits de reproduction BERG ELECTRONICS by

All rights strictly reserved. Reproduction or issue to third parties in any for
 procedure without written authority from the proprietor.
 Copyright BERG ELECTRONICS by

FOR P/N: 61127-0522/0543/0550/0522LF/0543LF/0550LF

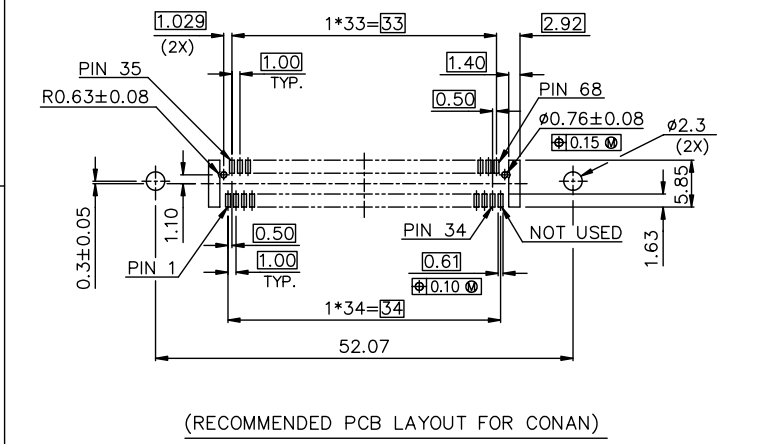
FOR P/N: 61127-0500/0500LF

FOR P/N: 61127-0522C/0543C/0550C/0522CLF/0543CLF/0550CLF



FOR P/N: 61127-0022/0043/0050/0022B/0050N/0022C/0043C/0050C

FOR P/N: 61127-0022LF/0043LF/0050LF/0022BLF/0050NLF/0022CLF/0043C/0050CLF



(RECOMMENDED PCB LAYOUT FOR CONAN)

mat'l code				tolerance unless otherwise specified		CUSTOMER COPY		FCI		www.fciconnect.com	
rev. K	ecn no.	dr	date	linear	±0.10	projection	title 68POS. EJECTOR HEADER HEADER ASS'Y				
				angles	± 2°	product family		code			
				dr	WENDY CHEN 05/02/00	unit	size		dwg no.		sheet 3 of
				enrg	JOSEPH HSIA 05/02/00	mm/inch	A3		61127		
				chr	JOSEPH HSIA 05/02/00	scale	2:1				
				appd	JOSEPH HSIA 05/02/00						
sheet index	revision sheet										

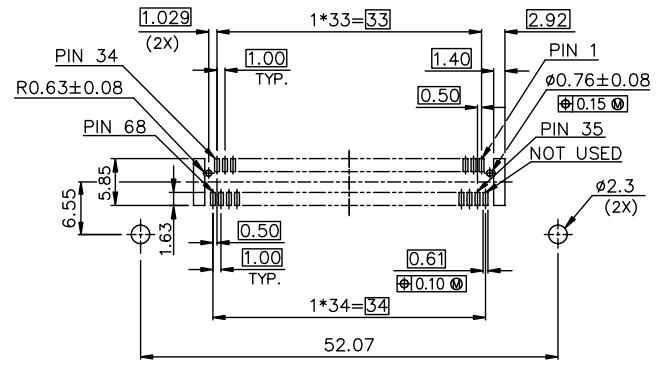
PDM: Rev:K STATUS Released Printed: Oct 12, 2010

Tous droits strictement réservés. Reproduction ou communication, o des tiers int
 proceure de BERG ELECTRONICS. sans autorisation écrite du propriétaire.
 Droits de reproduction BERG ELECTRONICS by

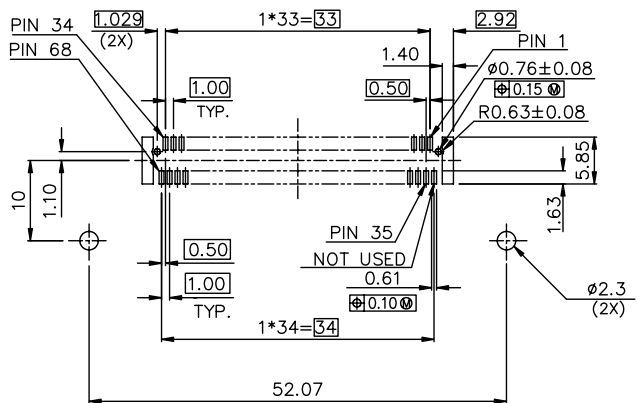
All rights strictly reserved. Reproduction or issue to third parties in any for
 answer is not permitted without written authority from the proprietor.
 Copyright BERG ELECTRONICS by

FOR P/N: 61127-5522/5543/5550/5522LF/5543LF/5550LF

FOR P/N: 61127-5500/5500LF

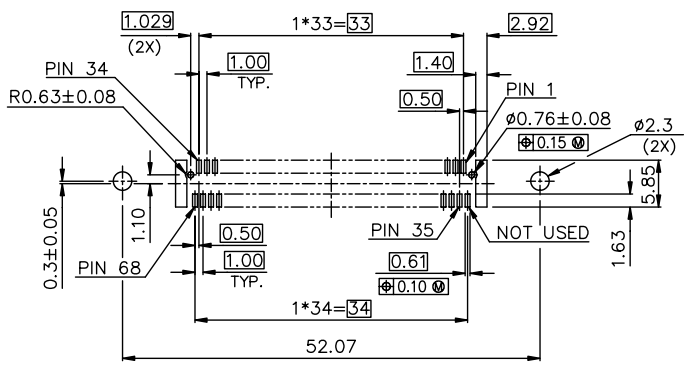


(RECOMMENDED PCB LAYOUT FOR CONAN)



(RECOMMENDED PCB LAYOUT FOR CONAN)

FOR P/N: 61127-5022/5043/5050/5022LF/5043LF/5050LF

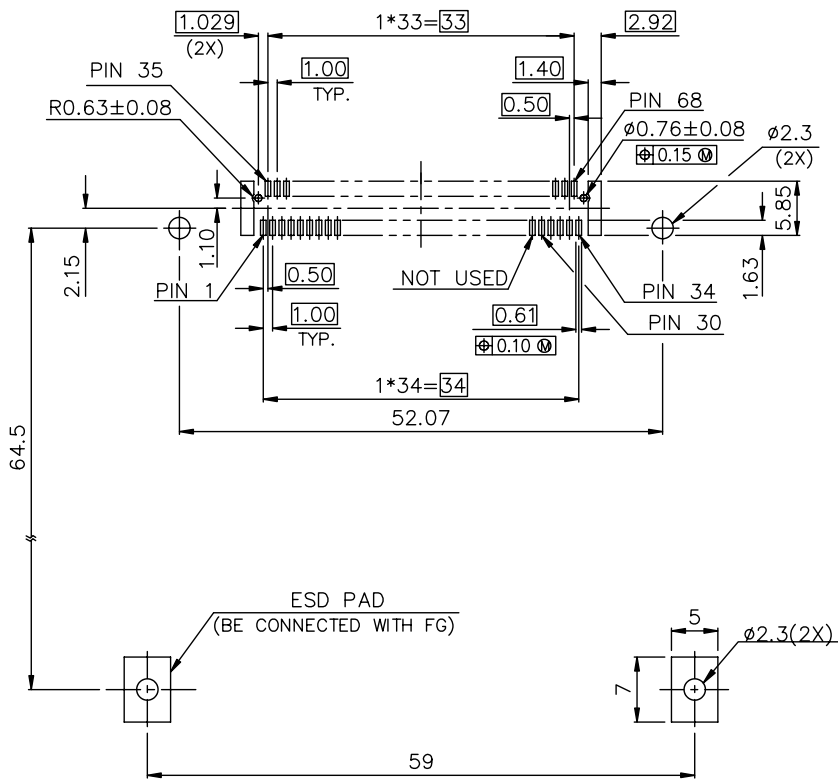


(RECOMMENDED PCB LAYOUT FOR CONAN)

mat'l code		tolerance unless otherwise specified		CUSTOMER COPY		FCI		www.fciconnect.com	
rev.	ecn no.	dr	date	linear	±0.10	projection	title 68POS. EJECTOR HEADER HEADER ASS'Y		
J				angles	± 2°		product family PWSGA code		
				dr	WENDY CHEN/05/02/00	unit	size		dwg no.
				enrg	JOSEPH HSIA/05/02/00	mm/inch	A3		61127
				chr	JOSEPH HSIA/05/02/00	scale	2:1		sheet 4 of
				appd	JOSEPH HSIA/05/02/00				
sheet index	revision sheet								

PDM: Rev:K STATUS: Released Printed: Oct 12, 2010

FOR P/N: 61127-0022V/0022VLF



PDM: Rev:K STATUS: Released Printed: Oct 12, 2010

Tous droits strictement réservés. Reproduction ou communication à des tiers sans autorisation écrite du propriétaire.

All rights strictly reserved. Reproduction or issue to third parties in any form without written authority from the proprietor.