

BASIC PART NUMBER: 83808- X X X X X X X X

CARD TYPE: I
CARD TYPE: II

I/O: CLOSED WITH GROUND CONTACT
I/O: 1 CONNECTOR
I/O: 2 CONNECTORS

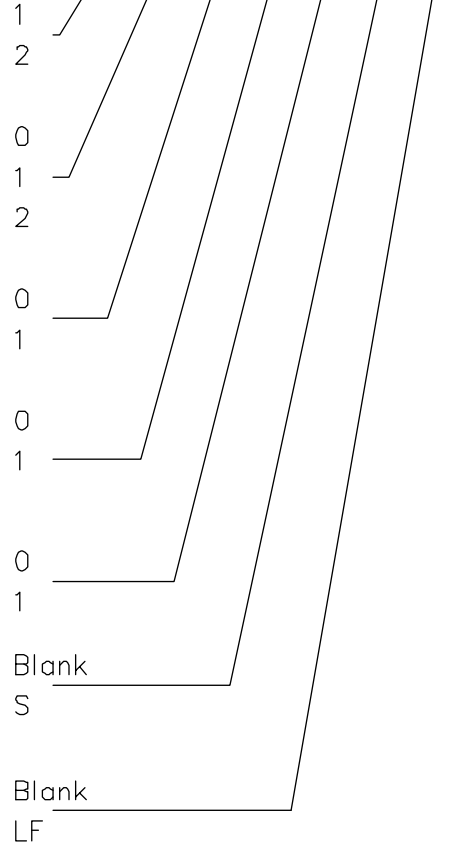
LABEL RECESS: NO
LABEL RECESS: YES

INSULATOR: NO
INSULATOR: YES

CARDBUS: NO
CARDBUS: YES

PACKAGING: 1000Pcs/BOX
PACKAGING: 200Pcs/BOX

ALL PART NUMBER: RoHS COMPLIANT SPECIFICATION



83808-XXXXXX IS SIMILAR TO 83808-XXXXXXLF, THE SUFFIX "LF" IS ADDED FOR LEAD FREE IDENTIFICATION
THIS PRODUCT MEETS EUROPEAN UNION DIRECTIVES AND OTHER COUNTRY REGULATIONS AS PER GS-22-008. PACKAGING SPECIFICATION GS-14-920

PROPERTIES:

CARD SHIELD: STAINLESS STEEL, THICKNESS 0.2mm
SURFACE FINISH: MATTE
FRAME BAR: PPO, COLOR BLACK, UL94V-0
INSULATOR: DIELECTRIC STRENGTH 2500V

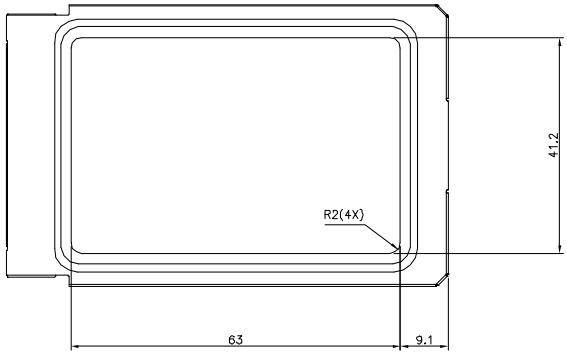
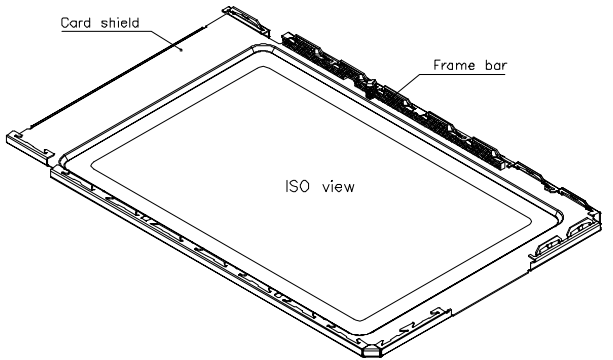
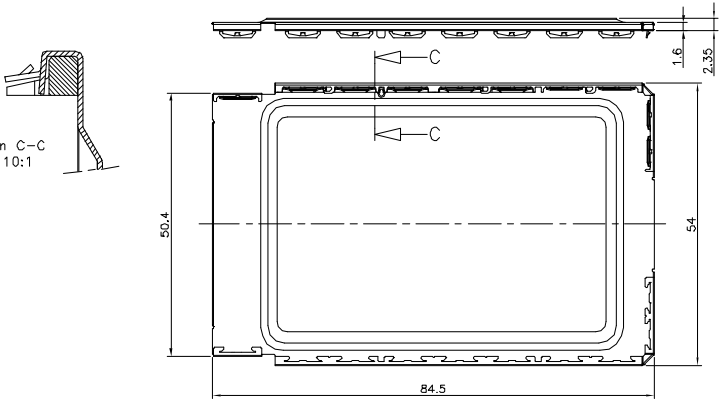
mat'l. code				surface ISO 1302 <input checked="" type="checkbox"/>		tolerance ISO 406 ISO 1101		projection 		product family PCMCIA							
ltr ecn no dr date				tolerances unless otherwise specified		angles linear		mm 		title ROCARD SHIELD							
H F10514 DLE 01.09.07								scale 1:1									
J F05-0254 DLE 05.09.26																	
K F06-0138 DLE 06.02.27																	
L F06-0138 DLE 06.02.27				dr		D LEGRAND		01.09.07		dwg no sheet 1 of 10 size							
M F06-0248 DLE 06.07.28				engr		F HAUTIER		99.04.29		83808 A4							
				chr		D LEGRAND		99.04.29									
G F00439 DLE 00.06.19				appd		F HAUTIER		99.04.29		type CUSTOMER Drawing							
sheet index		revision sheet		M	G	G	G	G	F	F	F	F					
				1	2	3	4	5	6	7	8	9	10				



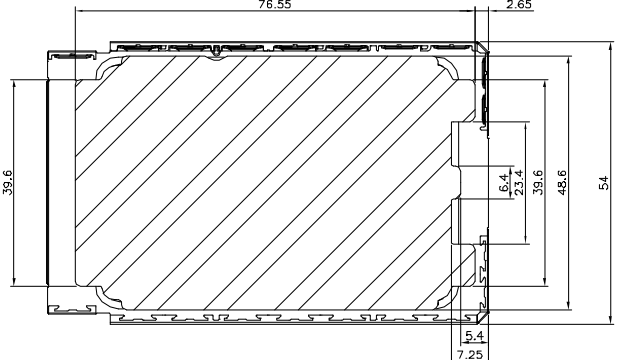
Copyright FCI

Product number	Insulator	Label recess	Product number	Packaging
83808-2100LF	no	no	83808-xxxxLF	1000 Rocard Shield/Box
83808-2101LF	yes	no	83808-xxxxSLF	200 Rocard Shield/Box
83808-2110LF	no	yes		
83808-2111LF	yes	yes		

Section C-C
Scale 10:1



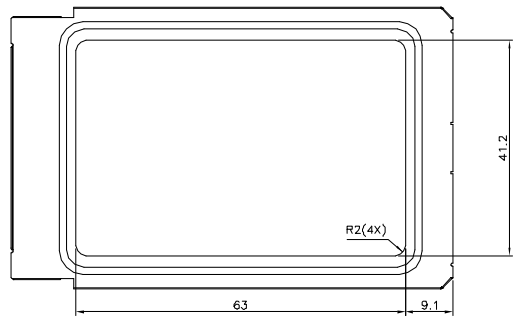
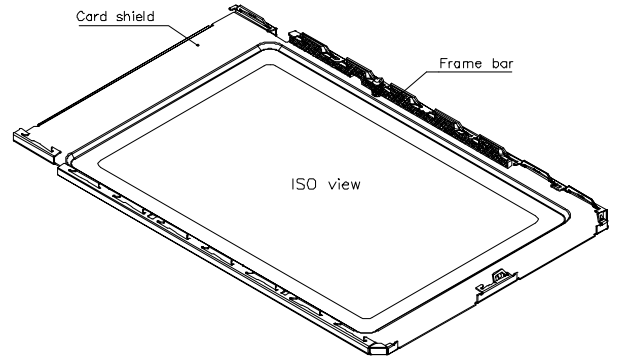
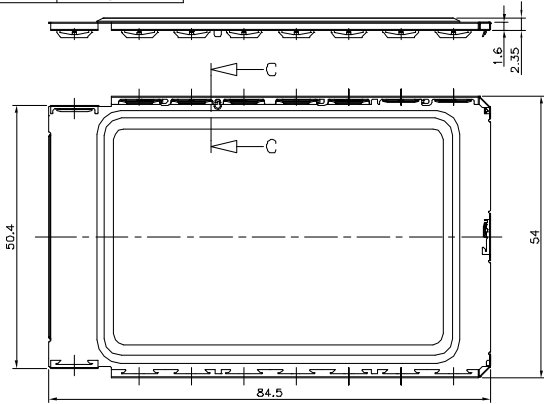
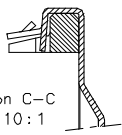
Version: Label recess
(maximum label thickness 0.07 mm)



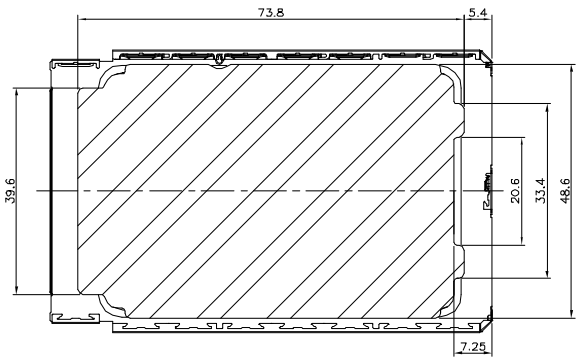
Version: Insulator
(thickness 0.07 mm)

MatL code	surface	tolerance	projection	product family
litr	iso 1802	iso 446	iso 10	PCMCIA
ecm no	date	tolerance unless otherwise specified	mm	title
A H80049	00A 98.02.12	Linear	scale 2:1	ROCARD SHIELD
B F80195	00A 98.04.08			TYPE II, 1x1/0
C F90323	00A 99.05.04			FCI
D F10514	01A 01.09.07	H VEREUKEN	06.02.12	dwg no
E F05-0254	02A 09.26	F HAUTER	99.05.04	83808
F F05-0158	02A 02.27	D LORIANO	99.05.04	sheet
G F05-0248	04A 07.28	F HAUTER	99.05.04	revision
sheet	revision			type
index	sheet			CUSTOMER Drawing

Product number	Insulator	Label recess	Product number	Packaging
83808-22000LF	no	no	83808-xxxxLF	1000 Rocard Shield/Box
83808-22010LF	yes	no	83808-xxxxSLF	200 Rocard Shield/Box
83808-22100LF	no	yes		
83808-22110LF	yes	yes		



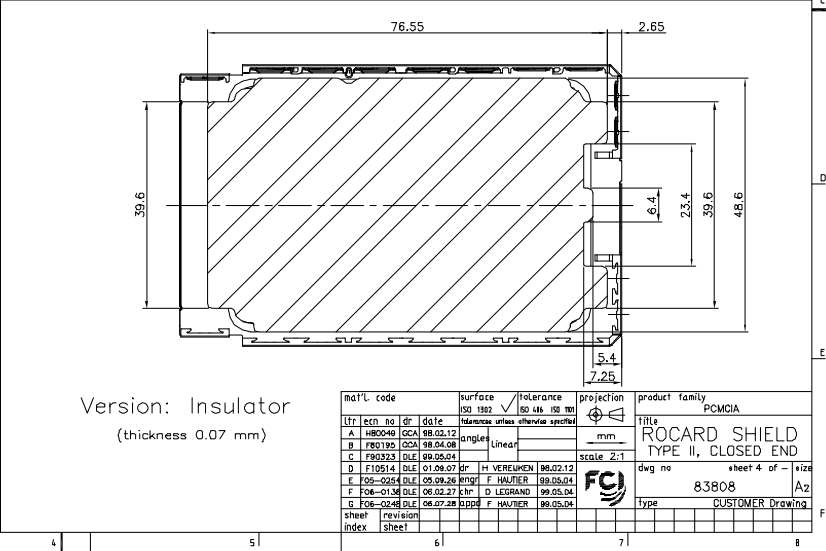
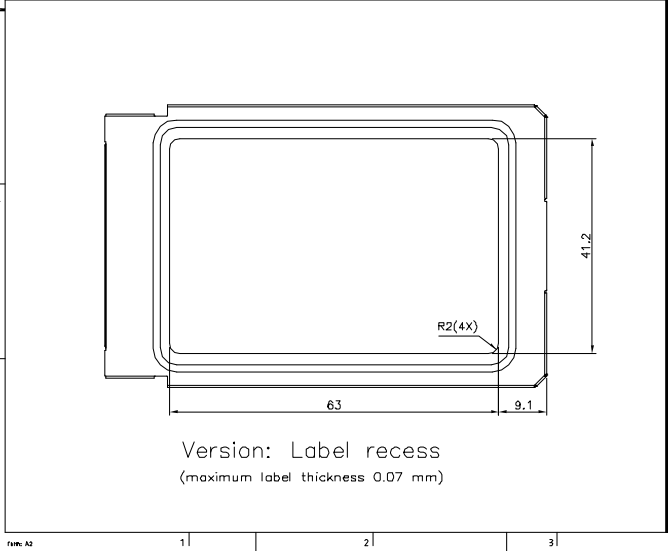
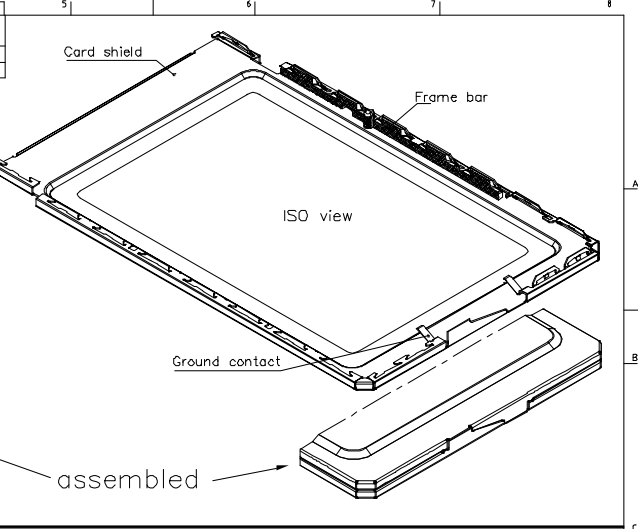
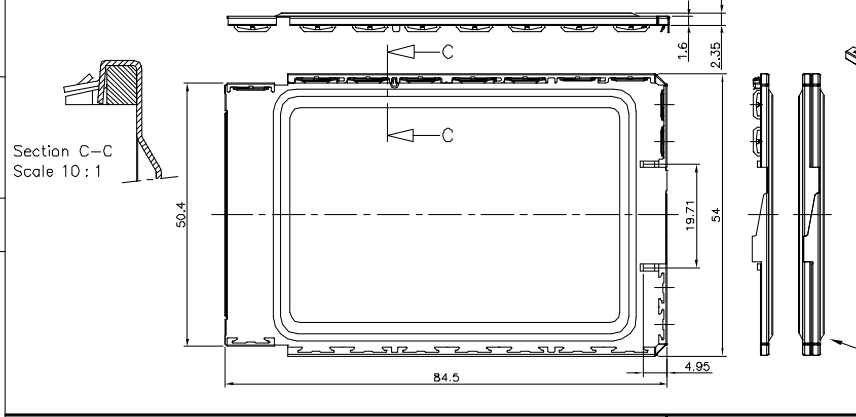
Version: Label recess
(maximum label thickness 0.07 mm)



Version: Insulator
(thickness 0.07 mm)

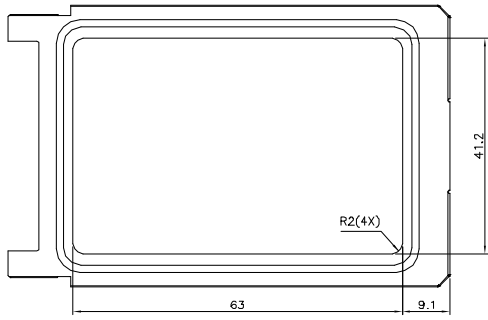
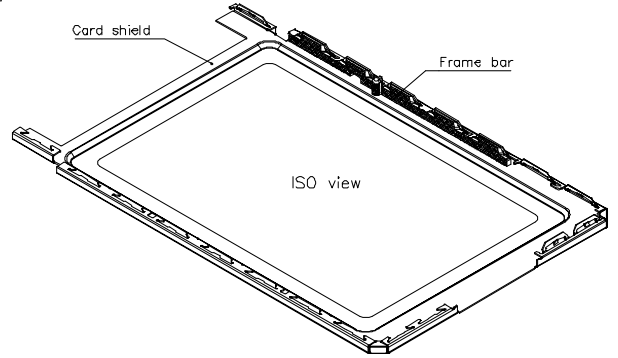
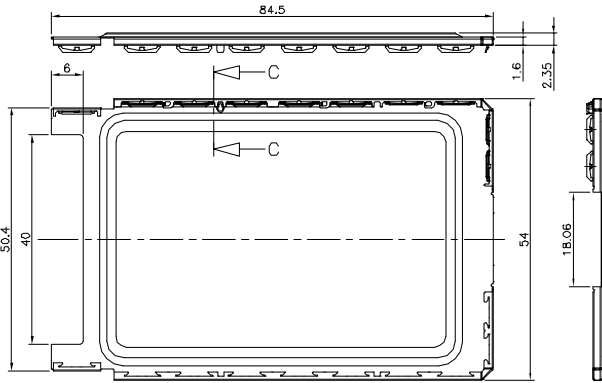
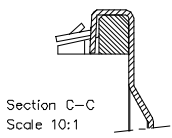
MatL code	surface	tolerance	projection	product family
litr	iso 1802	iso 446	iso 10	PCMCIA
ecm no	date	tolerance unless otherwise specified	mm	ROCARD SHIELD
A	08.02.12	Linear	scale 2:1	TYPE II, 2xl/0
B	08.04.08			dwg no 83808
C	09.05.04			sheet 3 of - size Az
D	01.09.07	H VEREUKEN	06.02.12	type CUSTOMER Drawing
E	05.09.26	F HAUTER	09.05.04	
F	06.02.27	D LESIRANO	09.05.04	
G	04.07.28	F HAUTER	09.05.04	
sheet	revision			
index	sheet			

Product number	Insulator	Label recess	Product number	Packaging
83808-20000LF	no	no	83808-xxxxLF	1000 Rocard Shield/Box
83808-20010LF	yes	no	83808-xxxxSLF	200 Rocard Shield/Box
83808-20100LF	no	yes		
83808-20110LF	yes	yes		

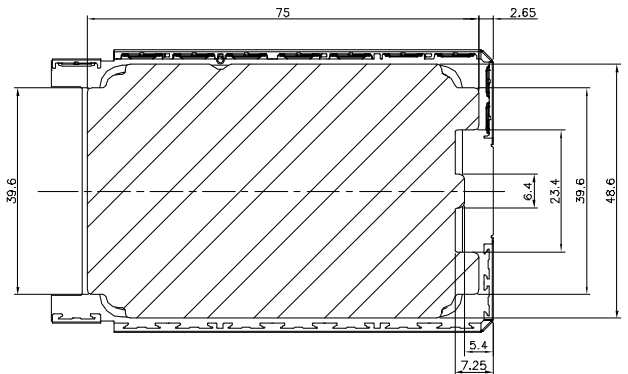


MatL code	surface	tolerance	projection	product family
ltr	ecm	no	dr	date
A	H80049	CCA	98.02.12	angle
B	F80195	CCA	98.04.08	Linear
C	F90323	DLE	99.05.04	scale 2:1
D	F10514	DLE	01.09.07	dr
E	F05-0254	DLE	02.09.26	EMAT
F	F08-0158	DLE	06.02.27	EMAT
G	F08-0248	DLE	04.07.28	EMAT
sheet	revision			
index	sheet			

Product number	Insulator	Label recess	Product number	Packaging
83808-21001LF	no	no	83808-xxxxLF	1000 Rocard Shield/Box
83808-21011LF	yes	no	83808-xxxxSLF	200 Rocard Shield/Box
83808-21101LF	no	yes		
83808-21111LF	yes	yes		



Version: Label recess
(maximum label thickness 0.07 mm)



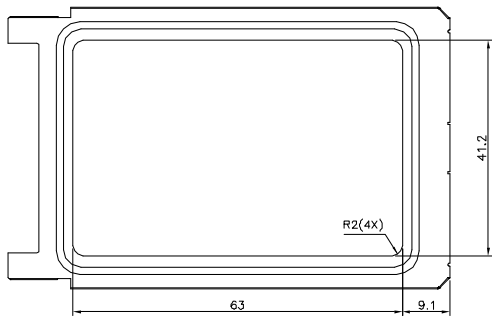
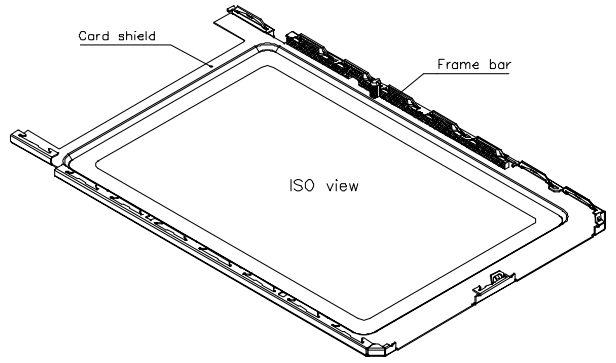
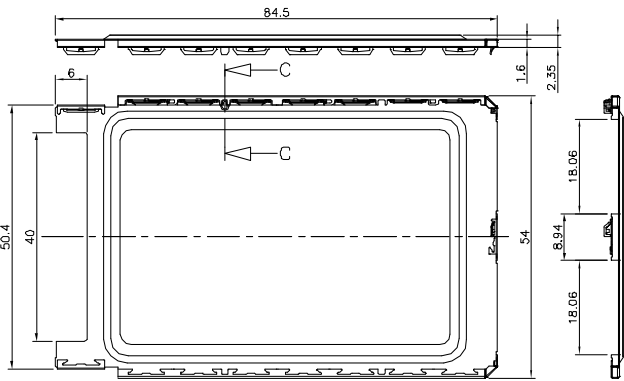
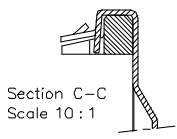
Version: Insulator
(thickness 0.07 mm)

MatL code	surface	tolerance	projection	product family
itr	ecm	no	dr	date
A	H80049	CCA	98.02.12	
B	F80195	CCA	98.04.08	
C	F80323	DLE	99.05.04	
D	F10514	DLE	01.09.07	dr
E	F05-0254	DLE	02.09.26	enat
F	F05-0158	DLE	06.02.27	kn
G	F05-0248	DLE	04.07.28	rippe
sheet	revision			
index	sheet			

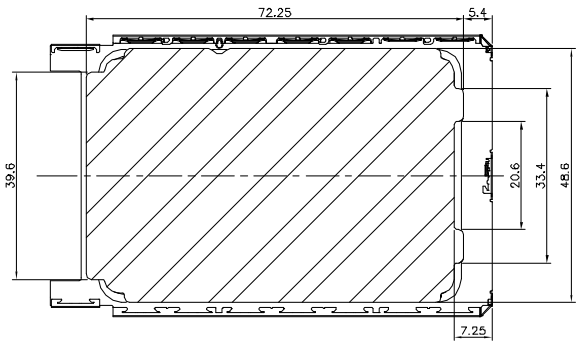
tolerance	ISO 1802	unles	otherwise	specified
mm				
scale	2:1			

title	product family
ROCARD SHIELD TYPEII,1XI/D,CARDBUS	PCMCIA
dwg no	sheet 5 of - size
83808	Az
type	CUSTOMER Drawing

Product number	Insulator	Label recess	Product number	Packaging
83808-22001LF	no	no	83808-xxxxLF	1000 Rocard Shield/Box
83808-22011LF	yes	no	83808-xxxxSLF	200 Rocard Shield/Box
83808-22101LF	no	yes		
83808-22111LF	yes	yes		



Version: Label recess
(maximum label thickness 0.07 mm)

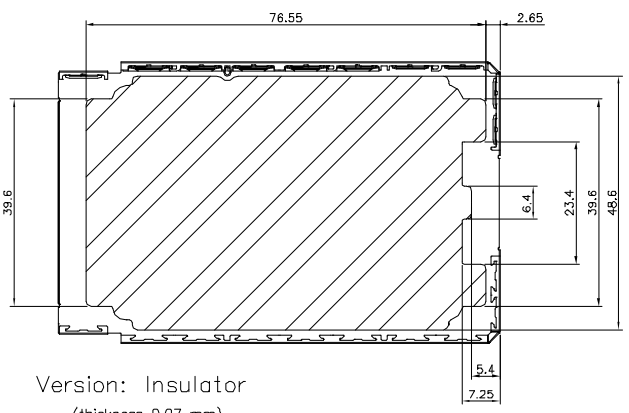
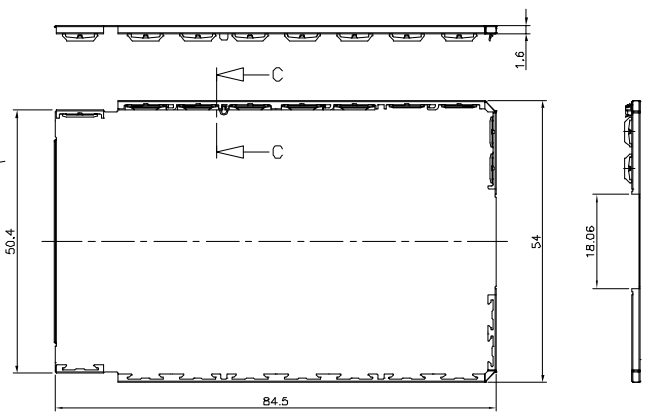


Version: Insulator
(thickness 0.07 mm)

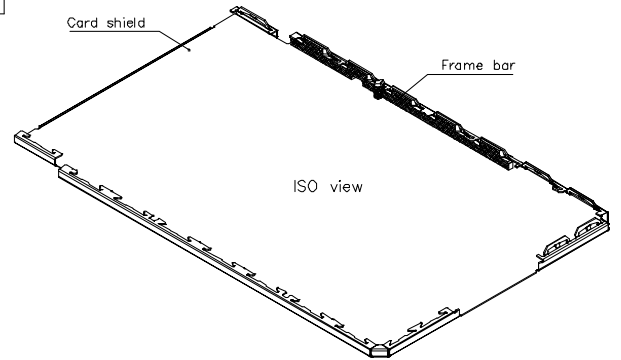
MatL code	surface	tolerance	projection	product family
litr	no	iso 1802	mm	PCMCIA
no	dr	tolerance unless otherwise specified	mm	ROCARD SHIELD
date	angle		scale 2:1	TYPE II,2xI/O,CARDBUS
				dwg no 83808
				sheet 5 of 5
				size Az
				type CUSTOMER Drawing
sheet	revision			
index	sheet			

Product number	Insulator	Product number	Packaging
83808-11000LF	no	83808-xxxxLF	1000 Rocard Shield/Box
83808-11010LF	yes	83808-xxxxSLF	200 Rocard Shield/Box

Section C-C
Scale 10:1



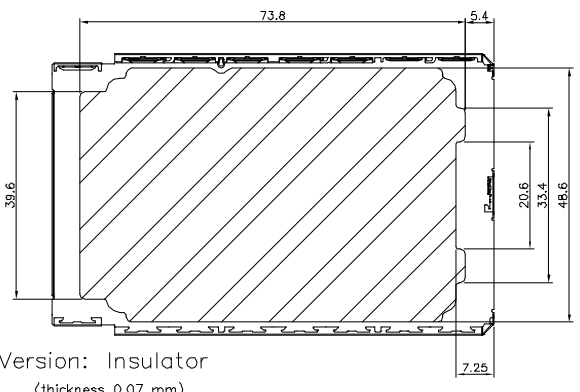
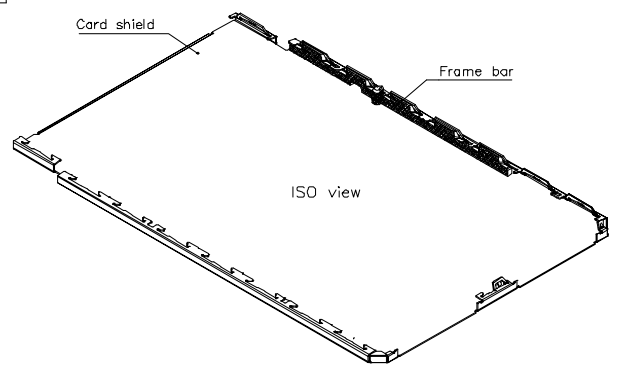
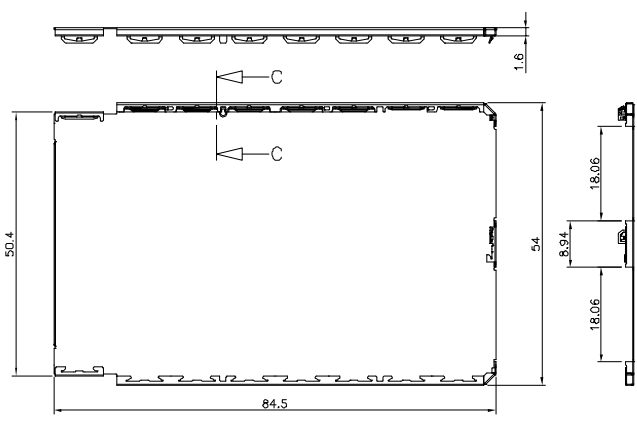
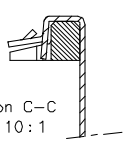
Version: Insulator
(thickness 0.07 mm)



MatL code	surface	tolerance	projection	product family
ISO 1802	ISO 46	ISO 10	1st angle	PCMCIA
tolerance unless otherwise specified	mm	mm	scale 2:1	title
litr	ecm	no	dr	date
A	F80195	OCA	88.04.08	
B	F90203	DLE	99.05.04	
C	F10914	DLE	01.09.07	
D	F05-024	DLE	05.09.26	dr
E	F08-0136	DLE	06.02.27	enat
F	F08-0248	DLE	06.07.28	enr
sheet	revision	sheet	index	

ROCARD SHIELD
TYPE 1, 1x1/0
dwg no 83808
sheet 7 of - size Az
type CUSTOMER Drawing

Product number	Insulator	Product number	Packaging
83808-12000LF	no	83808-xxxxLF	1000 Rocard Shield/Box
83808-12010LF	yes	83808-xxxxLFS	200 Rocard Shield/Box

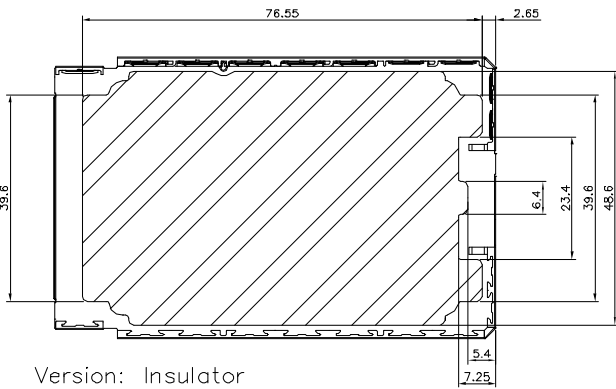
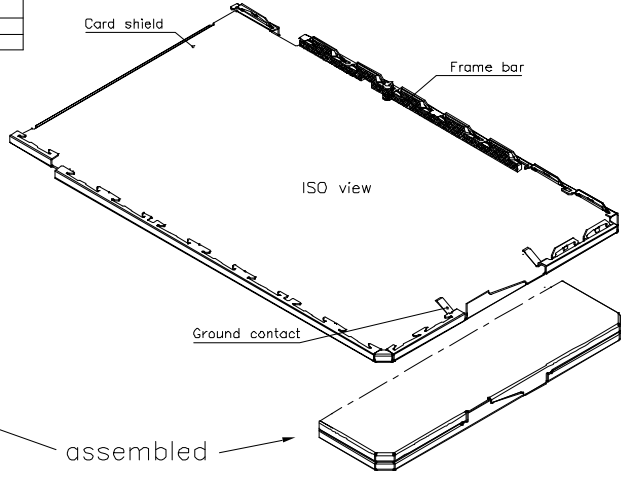
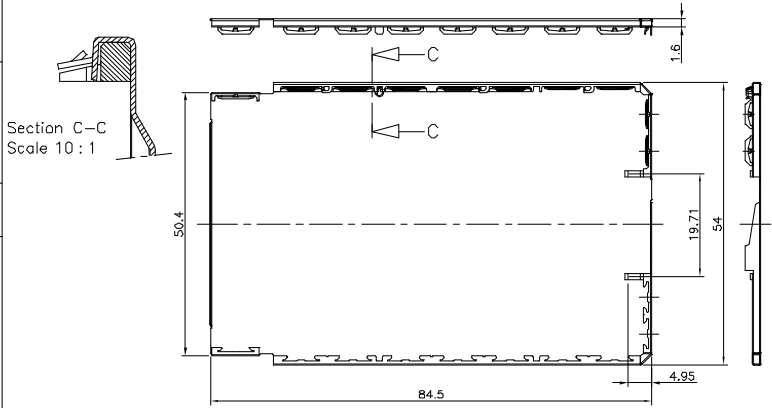


Version: Insulator
(thickness 0.07 mm)

MatL code	surface	tolerance	projection	product family
litr	iso 1802	iso 446	iso 1011	PCMCIA
ecm no	date	tolerance unless otherwise specified	angle	title
A F80195	06.04.08			ROCARD SHIELD
B F90233	09.08.04	Linear	mm	TYPE 1, 2x1/0
C F10814	01.09.07		scale 2:1	
D F05-024	06.09.26	dr		dwg no
E F08-0136	06.02.27	enat		83808
F F08-0248	06.07.28	enr		sheet 8 of - size
		rippe		Az
sheet	revision	type		CUSTOMER Drawing
index	sheet			

Product number	Insulator
83808-1000LF	no
83808-10010LF	yes

Product number	Packaging
83808-xxxxLF	1000 Rocard Shield/Box
83808-xxxxSLF	200 Rocard Shield/Box



Version: Insulator
(thickness 0.07 mm)

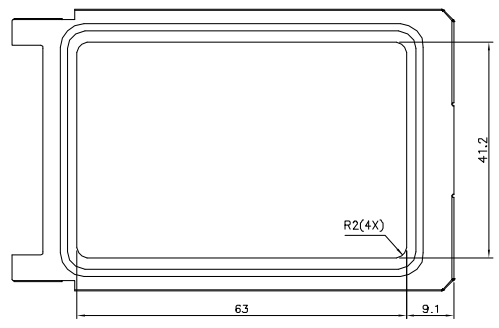
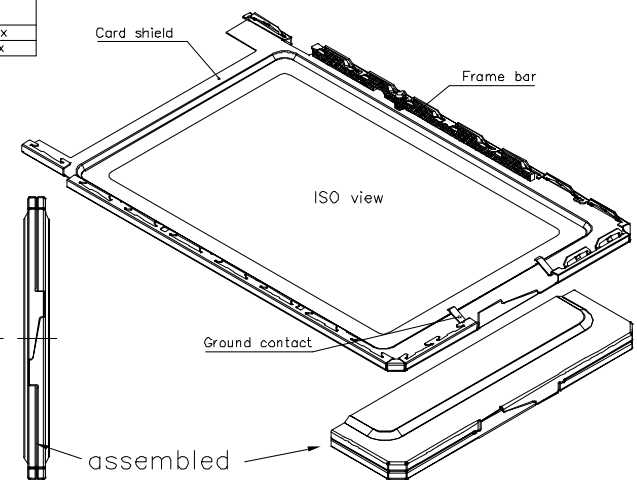
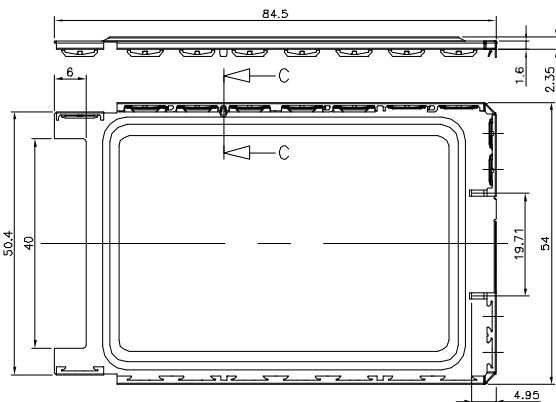
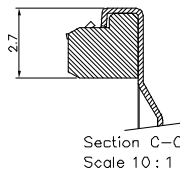
matl code	surface	tolerance	projection	product family
	ISO 1802	ISO 46	ISO 10	PCMCIA
lfr	ecm	no	dr	date
A	F80195	OCA	88.04.08	
B	F90233	DLE	99.05.04	
C	F10914	DLE	01.09.07	
D	F05-024	DLE	05.09.26	dr
E	F08-0136	DLE	06.02.27	enat
F	F08-0248	DLE	06.07.28	enr
sheet	revision			
index	sheet			

title
ROCARD SHIELD
TYPE I, CLOSED END

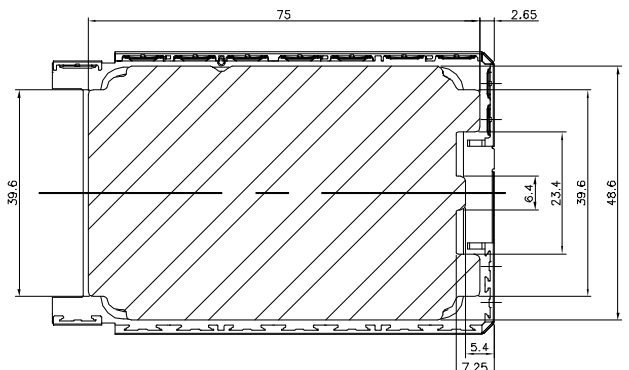
dwg no 83808
sheet 9 of - size Az

type CUSTOMER Drawing

Product number	Insulator	Label recess	Product number	Packaging
83808-20001LF	no	no	83808-xxxxLF	1000 Rocard Shield/Box
83808-20011LF	yes	no	83808-xxxxSLF	200 Rocard Shield/Box
83808-20101LF	no	yes		
83808-20111LF	yes	yes		



Version: Label recess
(maximum label thickness 0.07 mm)



Version: Insulator
(thickness 0.07 mm)

MatL code	surface	tolerance	projection	product family
litr	iso 1802	iso 446	iso 446	PCMCIA
ecm	no	no	no	
no	date	tolerance unless otherwise specified	mm	title
A	09.05.25			ROCARD SHIELD
B	09.10.25	Linear	scale 2:1	TYPE II, CLOSED, CARBUS
C	01.09.07			dwg no 83808
D	06.09.26	D LEGRAND	06.10.25	sheet 10 of - size Az
E	06.09.27	F HAUTER	09.10.25	type CUSTOMER Drawing
F	06.07.28	KOCHSCHNEIDER	09.10.25	
G		F HAUTER	06.10.25	
sheet	revision			
index	sheet			