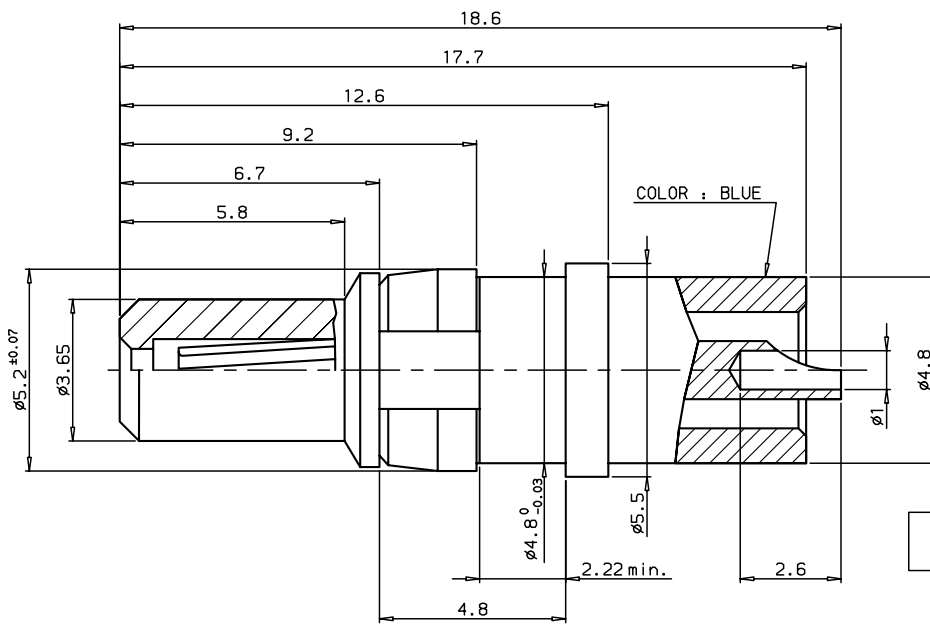


MATERIAL and Plating
 Body:blue PTFE
 Center contact:phosphor bronze gold plated
 extraction force>0.20 N with gauge 0.99
 Clip:beryllium,nickel pated
 ELECTRICAL DATA
 Contact resistance:<3mΩ
 Contact current:1.5A
 Test voltage:3800V rms
 Working voltage:2800V rms
 MECHANICAL DATA:> 100
 TEMPERATURE RANGE:-55°C to +125°C
 PACKAGING:per 100 pieces



PART NUMBER 86382000LF

IND	DESIGNATION
C	ADD CHARACTERISTICS AND SHOW INNER CONTACT

European Views

www.fciconnect.com		surface ISO 1302	tolerance std ISO 406 ISO 1101	projection A3	mm
TOLERANCES UNLESS OTHERWISE SPECIFIED					
Dr	M. PESSON	2006/03/11	ANGULAR	0.X	±0.1
Eng	M. PESSON	2006/03/11	LINEAR	0.XX	±0.1
Chr	LEGARRE	2006/03/11	0.XX	0.XXX	±0.1
Appr	LEGARRE	2006/03/11	Product family		D-SUB
FCI				title	Rev.
HIGH VOLTAGE CONTACT MALE				catg no	C
catalog no				01-8638-0359	CUSTOMER sheet 1 of 1

rev	ecn no	dr	date
A	LS06-0022	MPE	2006/03/11
B	LS06-0095	LGO	2006/07/19
C	LS07-0287	MPE	2007/11/09
-	-	-	-
-	-	-	-
-	-	-	-

REV F - 2006-04-17

PDM: Rev:C STATUS:Released Printed: Oct 01, 2010