

7312P022XA13LF

DESCRIPTION

Connector especially designed for SMT technology
EMV compatible and in accordance with ISO 7816-2

MECHANICAL

Contacts force : between 0.2N-0.5N
Insertion force : 10 N max
Extraction force : 1 N min

ELECTRICAL

Insulation resistance : 1000MΩms
Dielectric withstand voltage between card contacts and detection switch : 1000 Vrms
Contact resistance: 100 milliohms
Current carrying : min 10 micro A max 1A

SWITCH

Contact closed : contact resistance 100mΩms
Open contact : voltage proof 300Vms

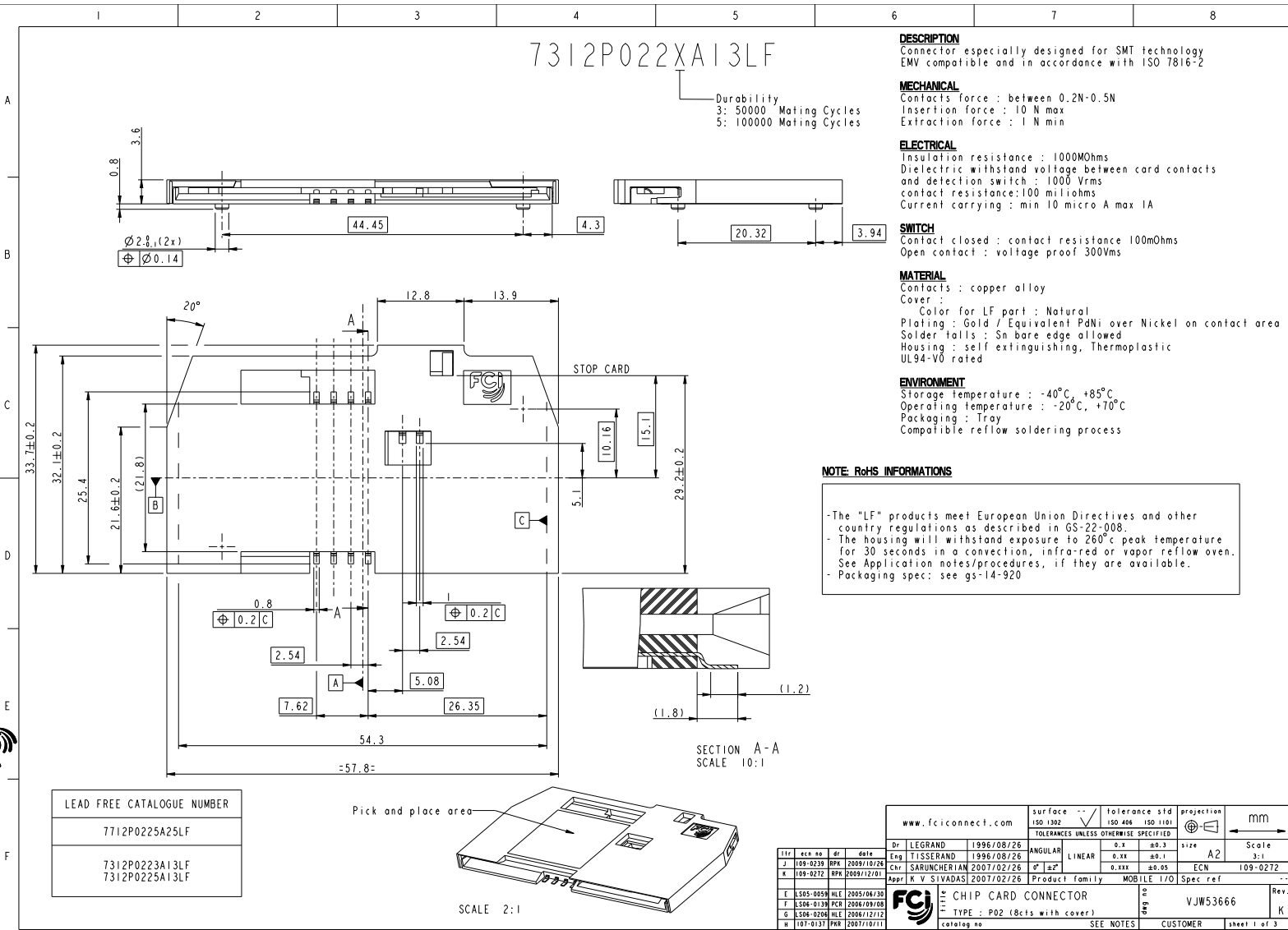
MATERIAL

Contacts : copper alloy
Cover :
Color for LF part : Natural
Plating : Gold / Equivalent PdNi over Nickel on contact area
Solder falls : Sn bare edge allowed
Housing : self extinguishing, Thermoplastic
UL94-V0 rated

ENVIRONMENT

Storage temperature : -40°C, +85°C
Operating temperature : -20°C, +70°C
Packaging : Tray
Compatible reflow soldering process

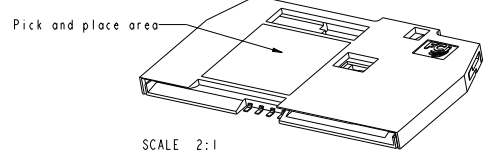
Durability
3: 50000 Mating Cycles
5: 100000 Mating Cycles



NOTE: RoHS INFORMATIONS

- The "LF" products meet European Union Directives and other country regulations as described in GS-22-008.
- The housing will withstand exposure to 260°C peak temperature for 30 seconds in a convection, infra-red or vapor reflow oven. See Application notes/procedures, if they are available.
- Packaging spec: see GS-14-920

LEAD FREE CATALOGUE NUMBER
7712P0225A25LF
7312P0223A13LF
7312P0225A13LF

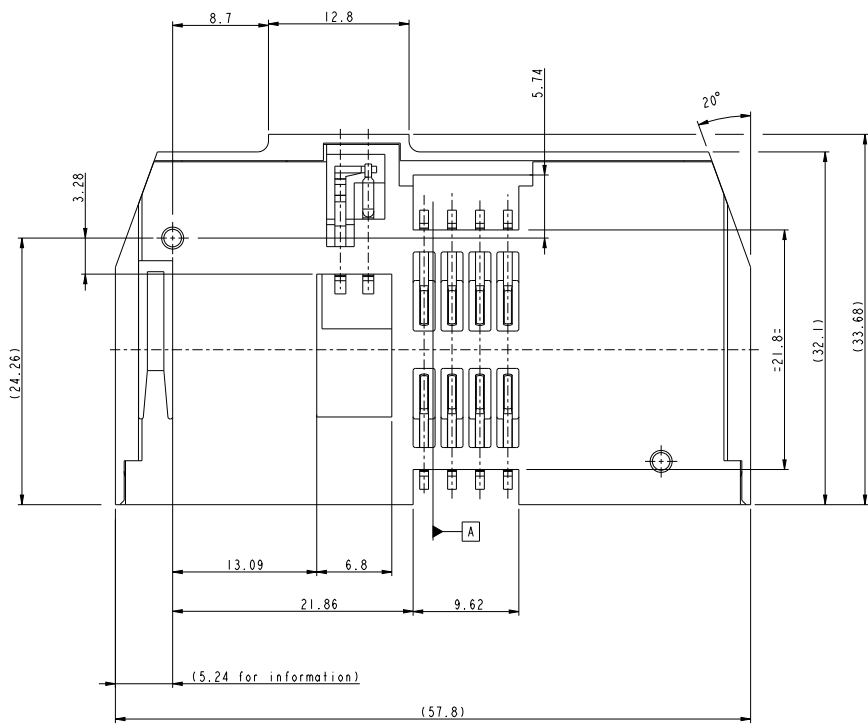


SCALE 2:1

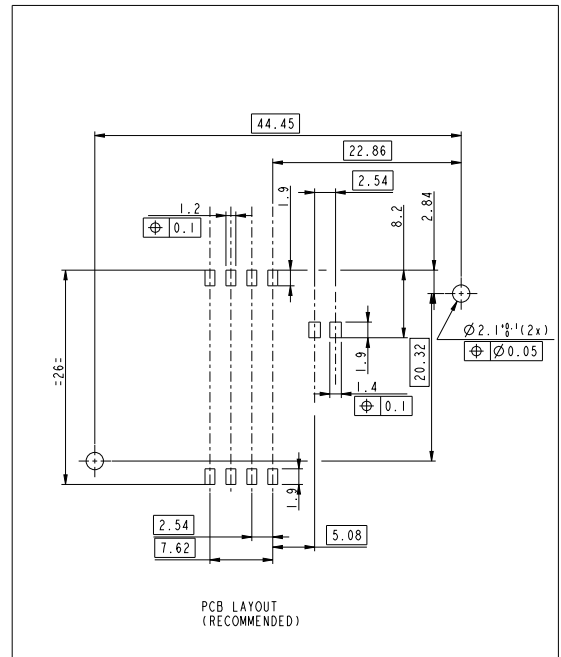
www.fciconnect.com		surface 150 1302	tolerance std 150 406 150 1101	projection	mm
		TOLERANCES UNLESS OTHERWISE SPECIFIED			
Dr	LEGRAND	1996/08/26	ANGULAR	0.xx	±0.3
Eng	TISSERAND	1996/08/26	LINEAR	0.xxx	±0.1
Chr	SARUNCHERIAN	2007/02/26	0° ±2°	0.xxx	±0.05
Appr	K V SIVADAS	2007/02/26			
		Product family	MOBILE I/O	Spec ref	
		FCI CHIP CARD CONNECTOR		2	Rev.
		TYPE : P02 (8cts with cover)		VJW53666	C K
		catalogue no	SEE NOTES	CUSTOMER	sheet 1 of 3

lit	acc no	dr	date
J	109-0239	RPK	2009/10/24
K	109-0212	RPK	2009/12/01
E	LS05-0059	HLE	2005/06/30
F	LS06-0139	PCR	2006/09/08
G	LS06-0206	HLE	2006/12/12
H	103-0131	PKR	2007/10/11

LEAD FREE CATALOGUE NUMBER	
7712P0225A25LF	
7312P0223A13LF 7312P0225A13LF	



LAYOUT FOR KEEP OUT ZONE
(CONNECTOR SIDE)

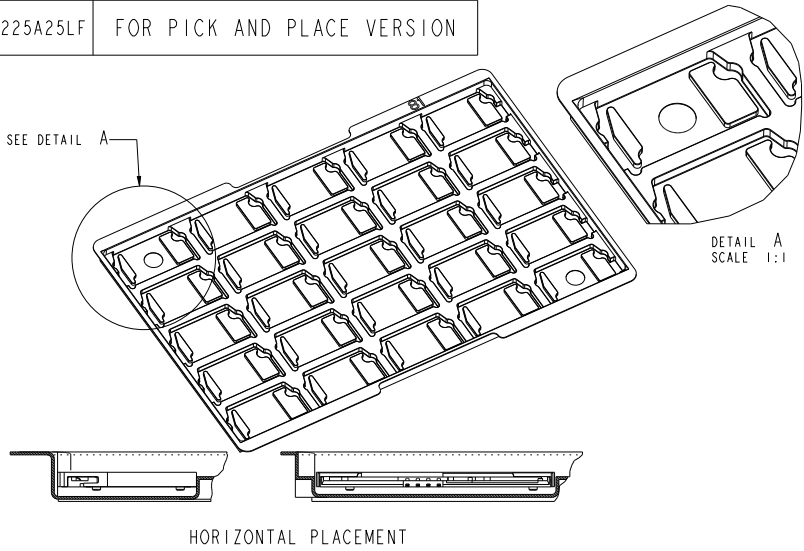


www.fciconnect.com		surface --	tolerance std	projection	mm
		150 1302	150 406	150 1101	
TOLERANCES UNLESS OTHERWISE SPECIFIED					
Dr	LEGRAND	1996/08/26	ANGULAR	0.x	±0.3
Eng	TISSERAND	1996/08/26	LINEAR	0.xxx	±0.1
Chr	SARUNCHERIAN	2007/02/26	°	±2°	
Appr	K V SIVADAS	2007/02/26	Product family	MOBILE I/O	Spec ref
FCI		CHIP CARD CONNECTOR		2	Rev.
TYPE : P02 (8cts with cover)		VJW53666		K	
catalog no		SEE NOTES		CUSTOMER	

PDM: Rev:K STATUS Released 8 Printed: Jan 28, 2010

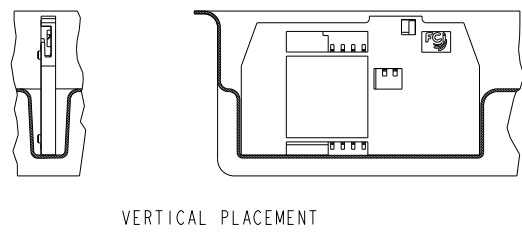
Copyright FCI

7712P0225A25LF FOR PICK AND PLACE VERSION



PACKAGING		
P/N	Quantity by Tray	Trays Material Detail
7712P0225A25LF	25 Horizontal Placement	Antistatic
7312P0223A13LF 7312P0225A13LF	100 Vertical Placement	No Antistatic

7312P0223A13LF
7312P0225A13LF STANDARD VERSION



www.fciconnect.com		surface --	tolerance std	projection	mm
		150 1302	150 406	150 1101	
TOLERANCES UNLESS OTHERWISE SPECIFIED					
Dr	LEGRAND	1996/08/26	ANGULAR	0.x	±0.3
Eng	TISSERAND	1996/08/26	LINEAR	0.xxx	±0.1
Chr	SARUNCHERIAN	2007/02/26	°	±2°	
Appr	K V SIVADAS	2007/02/26	Product family	MOBILE I/O	Spec ref
FCI CHIP CARD CONNECTOR			2	VJW53666	Rev.
TYPE : P02 (8cts with cover)			customer		K
catalog no			SEE NOTES	CUSTOMER	sheet 3 of 3

Copyright FCI