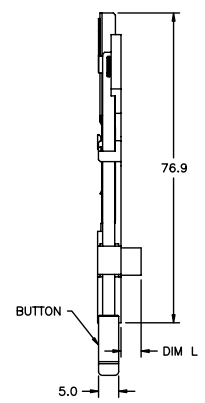
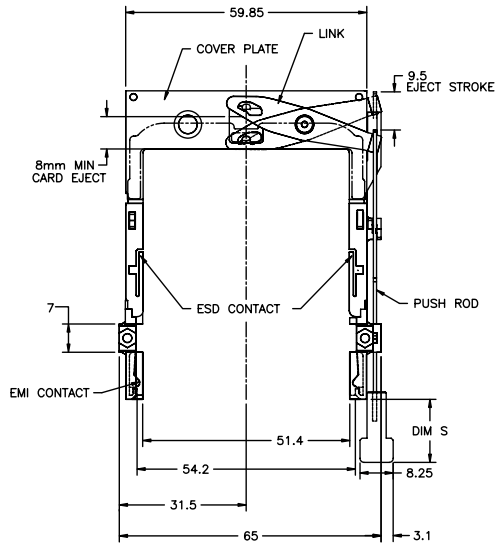


FCI CONFIDENTIAL

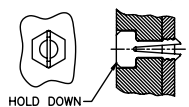
FCI

This document is the property of and embodies CONFIDENTIAL and PROPRIETARY information of FCI. No part of this information shall be disclosed, copied, reproduced, or transmitted in any form or by any means without the written consent of FCI. Copyright FCI.

| PRODUCT NO. NOTE ⑤ | STAND-OFF DIM L | DIM S | BUTTON COLOR |
|-----------------------|--------------------|-------|--------------|
| 95079-00CA | 0 | 13 | BLACK |
| 95079-02CA | 2 | | |
| 95079-02CALF | 2 | | |
| 95079-04CA | 4 | | |
| 95079-05CA | 5 | 15.6 | BLACK |
| 95079-00DA | 0 | | |
| 95079-02DA | 2 | | |
| 95079-04DA | 4 | | |
| 95079-05DA | 5 | 21 | BLACK |
| 95079-00FA | 0 | | |
| 95079-02FA | 2 | | |
| 95079-04FA | 4 | | |
| 95079-05FA | 5 | 13 | NATURAL |
| 95079-00CH | 0 | | |
| 95079-02CH | 2 | | |
| 95079-04CH | 4 | | |
| 95079-05CH | 5 | 15.6 | NATURAL |
| 95079-00DH | 0 | | |
| 95079-02DH | 2 | | |
| 95079-04DH | 4 | | |
| 95079-05DH | 5 | 21 | NATURAL |
| 95079-00FH | 0 | | |
| 95079-02FH | 2 | | |
| 95079-04FH | 4 | | |
| 95079-05FH | 5 | | |



- NOTES:
- EJECT PLATE TO MOVE ALONG INSIDE WALL OF COVER PLATE SMOOTHLY AFTER ASSEMBLING WITH HEADER.
 - MATERIAL:
 PLASTIC GUIDES: POLYPHTHARAMIDE UL94V-0 BLACK
 COVER PLATE: STAINLESS STEEL
 EMI CONTACT: PHOSPHOR BRONZE
 - FINISH:
 EMI CONTACT:
 CONTACT AREA: 0.5um Au
 UNDER PLATING: 2.0um Ni
 - ADD "H" TO PART NUMBER FOR OPTIONAL HOLD-DOWN (2 PER ASSEMBLY).



- RECOMMENDED SCREW TORQUE: 1.0 TO 1.5 MAX in-lbs. (1.2-1.7 cm-kgs).

| mat'l. code | | surface | | tolerance | projection | product family |
|-------------|----------|---------|-----------|---------------------------------------|------------|--|
| F | V91417 | CGC | 7/2/99 | | | |
| G | V03-0522 | WL | 05/29/03 | tolerances unless otherwise specified | MM | title |
| H | T03-0485 | WL | 11/03/03 | ±0.15 | scale | NARROW BODY FRONT EJECT TYPE 123 MECHANISM ASS'Y |
| J | N06-0034 | M Z | 02/13/06 | angles | | dwg no |
| K | N06-0135 | M Z | 05/25/06 | linear | | sheet 1 of 3 size |
| L | N06-0110 | M Z | 06/29/06 | ±2' | | 95079 A4 |
| | | appd | Qin David | 05/25/06 | | type CUSTOMER Drawing |
| sheet | revision | L | K | A | | |
| index | sheet | 1 | 2 | 3 | | |

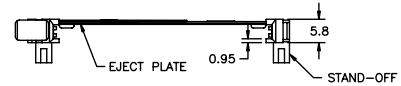
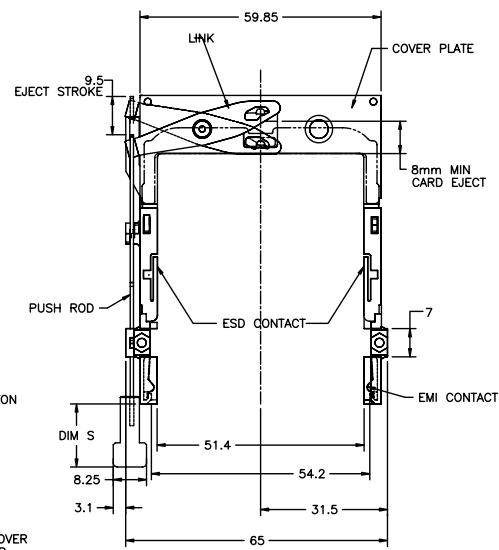
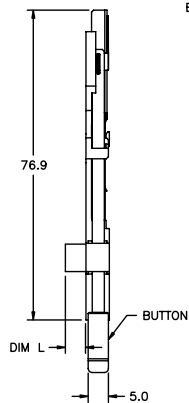
FCI CONFIDENTIAL

FCI

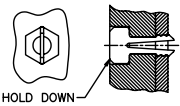
FCI

D

| PRODUCT NO. NOTE ③ | STAND-OFF DIM L | DIM S | BUTTON COLOR |
|-----------------------|--------------------|-------|--------------|
| 95079-10CA | 0 | 13 | BLACK |
| 95079-10CALF | 0 | | |
| 95079-12CA | 2 | | |
| 95079-14CA | 4 | | |
| 95079-15CA | 5 | | |
| 95079-15CAH | 5 | 15.6 | BLACK |
| 95079-10DA | 0 | | |
| 95079-12DA | 2 | | |
| 95079-14DA | 4 | | |
| 95079-15DA | 5 | | |
| 95079-10FA | 0 | 21 | BLACK |
| 95079-12FA | 2 | | |
| 95079-14FA | 4 | | |
| 95079-15FA | 5 | | |
| 95079-10CH | 0 | | |
| 95079-12CH | 2 | | |
| 95079-14CH | 4 | | |
| 95079-15CH | 5 | | |
| 95079-10DH | 0 | 15.6 | NATURAL |
| 95079-12DH | 2 | | |
| 95079-14DH | 4 | | |
| 95079-15DH | 5 | | |
| 95079-10FH | 0 | | |
| 95079-12FH | 2 | | |
| 95079-14FH | 4 | | |
| 95079-15FH | 5 | | |



- NOTES:
- EJECT PLATE TO MOVE ALONG INSIDE WALL OF COVER PLATE SMOOTHLY AFTER ASSEMBLING WITH HEADER.
 - MATERIAL:
PLASTIC GUIDES: POLYPHTHARAMIDE UL94V-0 BLACK
COVER PLATE: STAINLESS STEEL
EMI CONTACT: PHOSPHOR BRONZE
 - FINISH:
EMI CONTACT:
CONTACT AREA: 0.5um Au
UNDER PLATING: 2.0um Ni
 - ADD "H" TO PART NUMBER FOR OPTIONAL HOLD DOWN (2 PER ASSEMBLY).



HOLD DOWN

- RECOMMENDED SCREW TORQUE: 1.0 TO 1.5 MAX in-lbs. (1.2-1.7 cm-kgs).

| mat'l. code | surface | tolerance | projection | product family |
|---------------------------------------|-----------|-----------|------------|--|
| ltr | ecr | no | dr | date |
| tolerances unless otherwise specified | | | | title |
| K | angles | linear | ±0.15 | NARROW BODY FRONT EJECT TYPE 123 MECHANISM ASS'Y |
| | ±2' | scale | MM | |
| dir | Mike Zhou | 05/28/06 | | dwg no |
| engr | Mike Zhou | 05/28/06 | | 95079 |
| chr | Mike Zhou | 05/28/06 | | sheet 2 of 3 |
| appd | Qin David | 05/28/06 | | A4 |
| sheet | revision | | | type CUSTOMER |
| index | sheet | | | Drawing |

PDM: Rev:L STATUS Released Printed: Oct 12, 2010 6

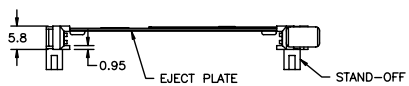
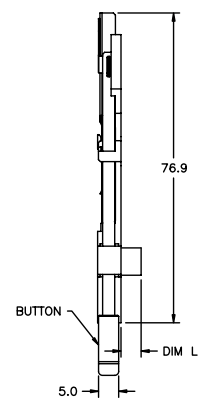
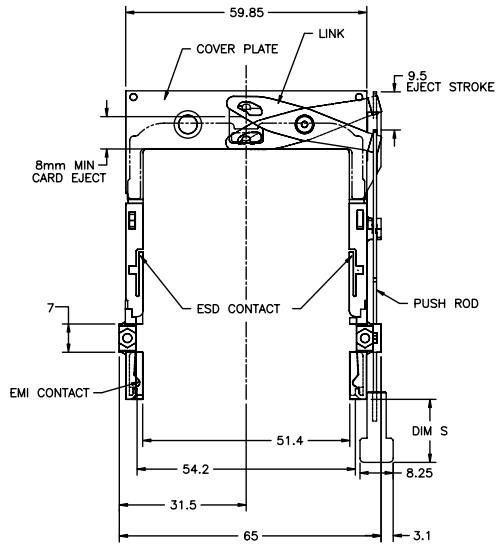
FCI CONFIDENTIAL



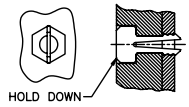
FCIconnect.com

Copyright FCI

| PRODUCT NO. NOTE ⑤ | STAND-OFF DIM L | DIM S | BUTTON COLOR |
|-----------------------|--------------------|-------|--------------|
| 95079-00MCA | 0 | 13 | BLACK |



- NOTES:
- EJECT PLATE TO MOVE ALONG INSIDE WALL OF COVER PLATE SMOOTHLY AFTER ASSEMBLING WITH HEADER.
 - MATERIAL:
PLASTIC GUIDES: POLYPHTHARAMIDE UL94V-0 BLACK
COVER PLATE: STAINLESS STEEL
EMI CONTACT: PHOSPHOR BRONZE
 - FINISH:
EMI CONTACT:
CONTACT AREA: 0.5um Au
UNDER PLATING: 2.0um Ni
 - ADD "H" TO PART NUMBER FOR OPTIONAL HOLD DOWN (2 PER ASSEMBLY).



- RECOMMENDED SCREW TORQUE: 1.0 TO 1.5 MAX in-lbs. (1.2-1.7 cm-kgs).

| | | | | |
|--------------------|---------------------------------------|-----------|------------|--|
| mat'l. code | surface | tolerance | projection | product family |
| ltr ecn no dr date | tolerances unless otherwise specified | ±0.15 | MM | title |
| A | angles linear | ±2' | scale | NARROW BODY FRONT EJECT TYPE 123 MECHANISM ASS'Y |
| | dr: Mike Zhou 05/25/06 | | | dwg no 95079 sheet 3 of 3 size A4 |
| | engr: Mike Zhou 05/25/06 | | | type CUSTOMER Drawing |
| | chr: Mike Zhou 05/25/06 | | | |
| | appd: Qin David 05/25/06 | | | |
| sheet index | revision sheet | | | |

PDM: Rev:L STATUS Released Printed: Oct 12, 2010 6