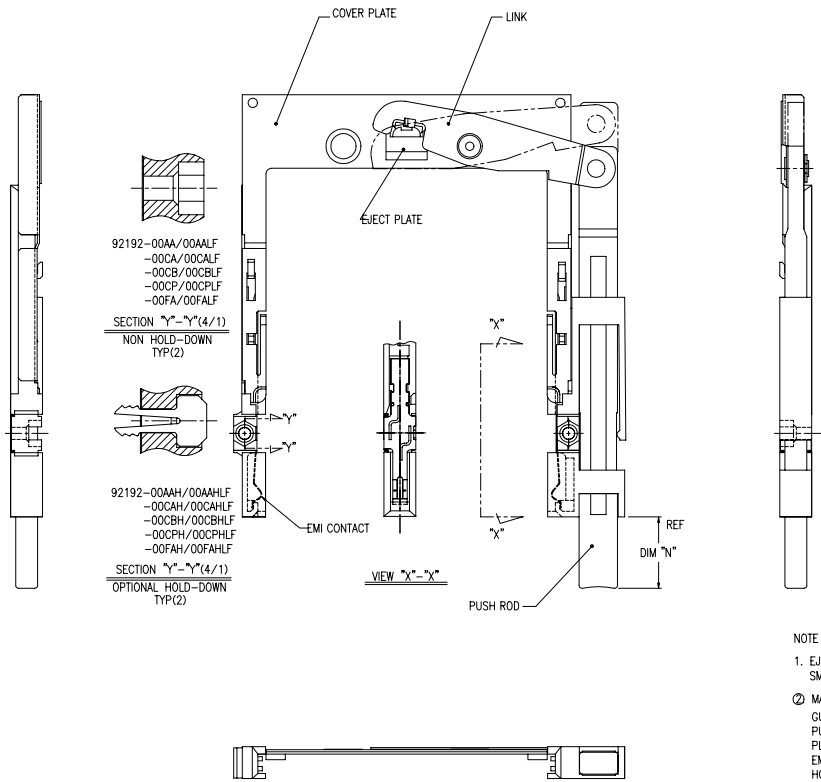


PRODUCT NO.	
92192-00AA/00AALF	△
92192-00AH/00AHLF	△
92192-00CA/00CALF	△
92192-00CH/00CHLF	△
92192-00CB/00CBLF	△
92192-00CBH/00CBHLF	△
92192-00CP/00CPLF	△
92192-00CPH/00CPHLF	△
92192-00FA/00FALF	△
92192-00FAH/00FAHLF	△

REVISIONS				
REV	DESCRIPTION	ECN	BY	DATE
A	RELEASED	J30263	N.T	2/17/93
B	REVISED	J40163	M.K	5/26/94
C	REVISED	V40646	M.K	6/24/94
D	REVISED	V40840	M.K	7/ 5/94
E	REVISED	J40198	M.K	7/19/94
F	REVISED	V32113	M.K	12/21/94
G	REVISED	J40349	M.K	1/9/94
H	REVISED	N5-0280	M.Z	11/09/05
N				



NOTE

1. EJECT PLATE MOVE ALONG INSIDE WALL OF COVER PLATE SMOOTHLY AFTER ASSEMBLING WITH HDR ASSY.

② MATERIAL

- GUIDE : POLYPHTHARAMID UL94V-0 BLACK
- PUSH ROD : FLAME RETARDANT UL94V-0 BLACK/BLUE
- PLATE : STAINLESS
- EMI CONTACT : PHOSPHOR BRONZE
- HOLD-DOWN : BRASS

③ FINISH

- EMI CONTACT UNDER PLATING : 2.0µm MIN. Ni
- CONTACT AREA : 0.5µm MIN. Au

4. RECOMMENDED PCB HOLE (OPTIONAL HOLD-DOWN) : 2.3±0.1

SHEET INDEX	ISSUE SH. NO.	TOLERANCES UNLESS OTHERWISE SPECIFIED	MAT	SEE NOTE	DR	ENGR	DATE	CUSTOMER COPY
					J. Omata	M. Kajiwara	11/11/11	
LINEAR								
ANGLES								



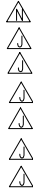
TITLE: 68P EJECTOR HEADER TYPE 1 1/1
MECHANISM ASSY

PDM: Rev:N

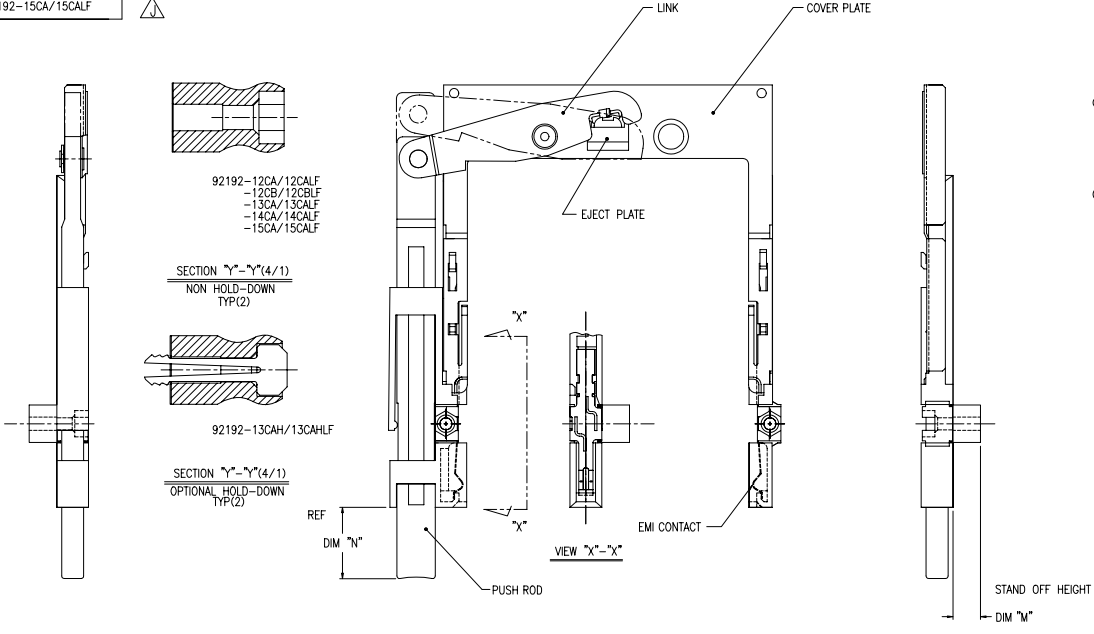
STATUS: Released

Printed: Oct 12, 2010

PRODUCT NO.
92192-12CAH/12CAHLF
92192-12CB/12CBLF
92192-12FA/12FALF
92192-13CA/13CALF
92192-13CAH/12CAHLF
92192-14CA/14CALF
92192-15CA/15CALF



REVISIONS				
REV	DESCRIPTION	ECN	BY	DATE
A	RELEASED	J33263	N.T	2/17/93
B	REVISED	J40163	M.K	5/26/94
C	REVISED	V46840	M.K	7/ 5/94
D	REVISED	J40198	M.K	7/19/94
E	REVISED	V32113	M.K	12/20/94
F	REVISED	J40349	M.K	1/9/95
G	REVISED (ADDED -13CA -13CAH)	J70134	K.S	8/8/97
H	REVISED (ADDED -12FA)	N90076	M.K	7/22/99
J	REVISED (ADDED "LF")	N05-0360	MZ	11/09/05
N				



SHEET INDEX	ISSUE	SH NO.	MAT	DATE	CUSTOMER

FCJ

TOLERANCES UNLESS OTHERWISE SPECIFIED

DATE: 7/22/99

CUSTOMER COPY

DR: *M. Nagano*

CHK: *M. Nagano*

DATE: 7/22/99

THRO ANGLE PRO

UNIT: $\frac{mm}{1000}$

SCALE: 2/1

SIZE: C

DWG. NO.: 92192

REV: N

SHEET: 5 of 5

TITLE: 68P EJECTOR HEADER TYPE I / II / III MECHANISM ASSY

DF-003A REV. D
DO NOT SCALE PRINT THIS INFORMATION IS CONFIDENTIAL AND IS OBLIGED TO YOU ON CONDITION THAT NO FURTHER DISCLOSURE IS MADE BY YOU TO OTHER THAN FCJ PERSONNEL WITHOUT WRITTEN AUTHORIZATION FROM FCJ JAPAN K.K.