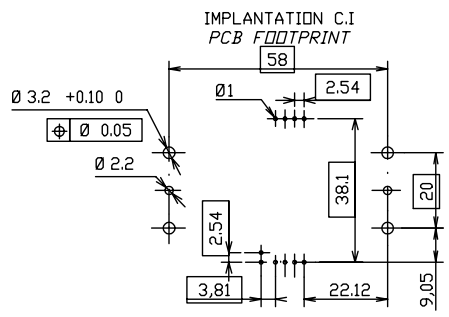
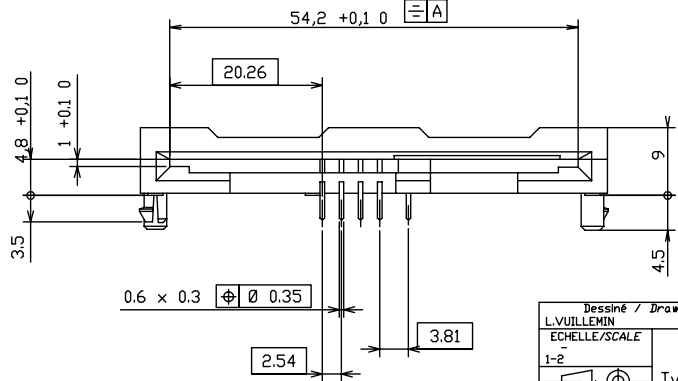
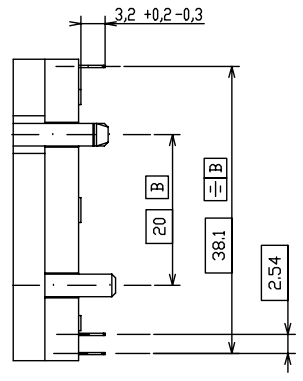
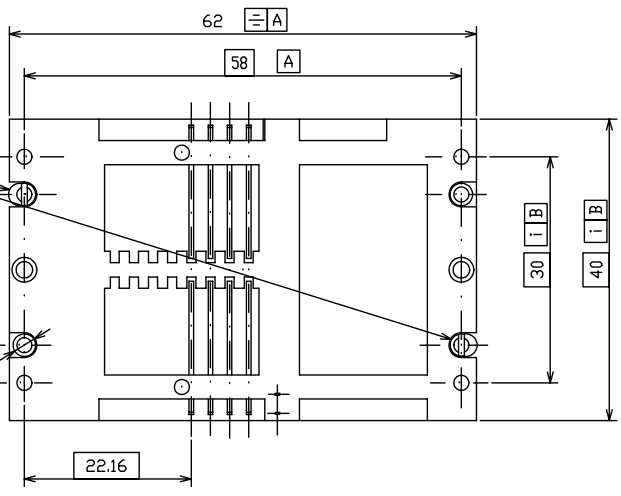


CATALOGUE NUMBER
7434L0422F01
7434L0423F01
7434L0425F01

Clips de fixation pour circuit ép:1.6mm
 \emptyset de perçage=3.2 \pm 0.05

Crimping part to use with a thickness PCB of 1.6 holes \emptyset =3.2 \pm 0.05

\emptyset 3.0 -0.10 \pm 0.05



Tol.Gén: 0mm a 10mm \pm 0.1mm
 10 a 30mm \pm 0.15mm
 30 a 60mm \pm 0.2mm
 60mm et plus \pm 0.3mm

Dessiné / Drawn L.VUILLEMIN	Vérifié / Checked D.PERRIN	Approuvé / Approved E.DDIE	-	-
ECHELLE/SCALE 1-2	Dossier / File: VXX 27528		-	-
Type: L04			1	
FRAMATOME CONNECTORS PONTARLIER Rue Claude CHAPPE BP19 25301 PONTARLIER CEDEX - FRANCE			06	21-12-99
FCI ELECTRONICS			05	11-12-97
PAGE/PAGE VJW 12031			04	26-02-97
EDITION/ISSUE			03	08-04-94
			02	07-06-91
			01	28-08-90