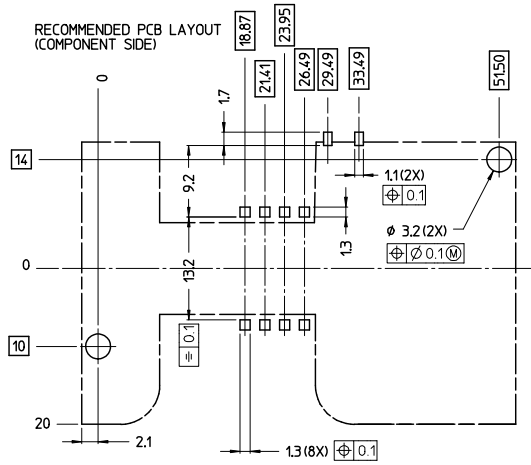
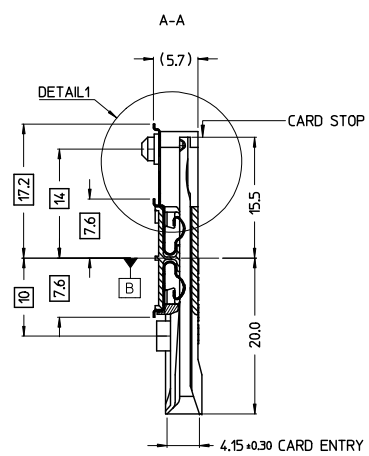
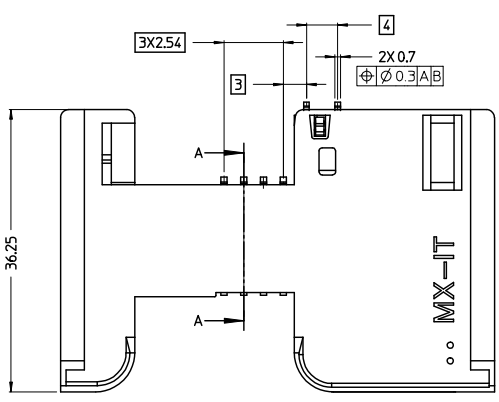
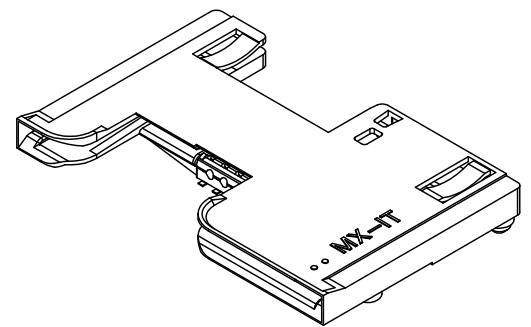
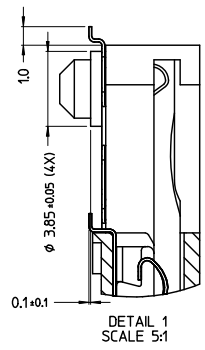
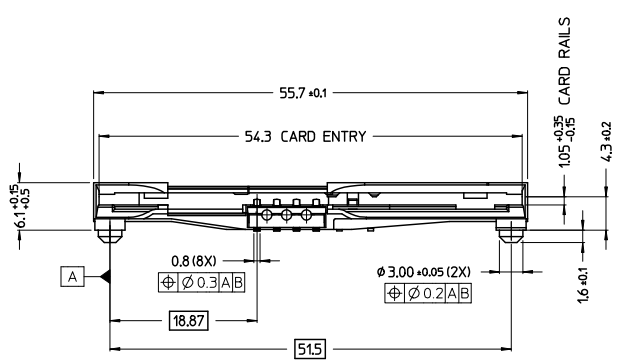


10 9 8 7 6 5 4 3 2 1



MATERIALS:
 HOUSING - LCP GLASS FILLED BLACK COLOR
 TERMINALS - PbZn CuSn8 (C521) 0.15mm THICK
 PLATING:
 CONTACT AREA - 127um Au MIN OVER 2-4.5um Ni
 SOLDERING AREA - 3.8um Sn MIN OVER 2-4.5um Ni
 PACKAGING: TRAYS IN BOX (SEE DRW PK-94304-010)

NOTES:
 - REFLOW SOLDERING PROFILE ACCORDING TO CECC0802
 - COPLANARITY OF METAL SOLDERING SURFACES 0.15mm
 - THE GUIDE IS COMPATIBLE WITH ISO/IEC 7816-2 (identification cards - Integrated circuit(s) cards with contacts)
 - OTHER PRODUCT CHARACTERISTICS ACCORDING TO PS-94304-010

STD. DESCR.: 'SMART CARD CONN SMT 8 CKT W/SW N.O.'

EIC NO: Z2009-0136 DRWNGZJUN 2009/05/25 CHYKHI SANI ESSO 2009/06/04 APPR:FBI SELLO 2009/06/09	QUALITY SYMBOLS ▽=0 ▽=0	GENERAL TOLERANCES (UNLESS SPECIFIED)		DIMENSION STYLE MM ONLY		SCALE 2:1	DESIGN UNITS METRIC	FIRST ANGLE PROJECTION
		4 PLACES ± --- ± --- 3 PLACES ± --- ± --- 2 PLACES ± 0.05 ± --- 1 PLACE ± 0.15 ± --- ANGULAR ± 2°	mm INCH	DRAWN BY GZUIN	DATE 2005/05/13	TITLE SMART CARD CONNECTOR 8 CKT W/SWITCH N.O.		
REV A1	DRAFT WHERE APPLICABLE MUST REMAIN WITHIN DIMENSIONS	MATERIAL NO. 94304-0108		DOCUMENT NO. SD-94304-010		SHEET NO. 1 OF 1		THIS DRAWING CONTAINS INFORMATION THAT IS PROPRIETARY TO MOLEX INCORPORATED AND SHOULD NOT BE USED WITHOUT WRITTEN PERMISSION
		APPROVED BY FBI SELLO		DATE 2005/05/13		MOLEX INCORPORATED		

9 8 7 6 5 4 3 2 1