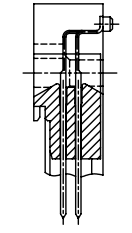
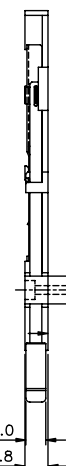
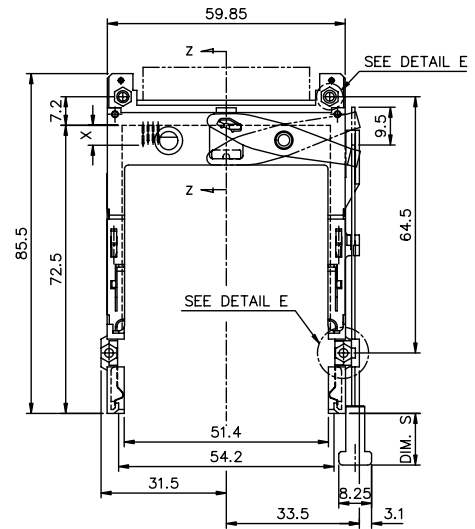
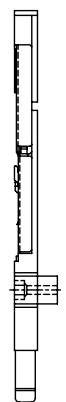
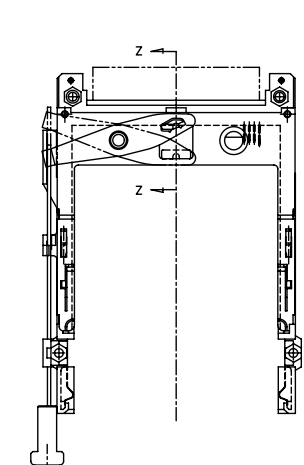


FCI CONFIDENTIAL

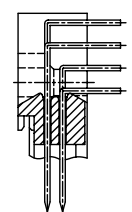
FCI

This document is the property of and includes CONFIDENTIAL and PROPRIETARY information of FCI. No part of the information herein may be used in any way or disclosed to other parties without the written consent of FCI. Copyright FCI.

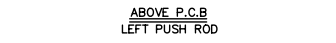
PRODUCT NO.
61126-****/****LF



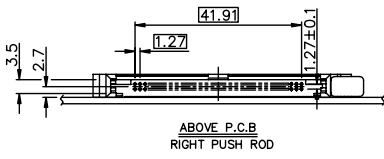
SMT IN LIN



RIGHT ANGLE



ABOVE P.C.B
LEFT PUSH ROD



ABOVE P.C.B
RIGHT PUSH ROD



BELOW P.C.B
RIGHT PUSH ROD



BELOW P.C.B
LEFT PUSH ROD

DETAIL E
FOR 61126-****H/****HLF ONLY

<SEC. Z-Z>

| | | | | | |
|--|----------|---------|-----------|---------------------------------------|---|
| mat'l. code | | surface | tolerance | projection | product family |
| ltr | ecn no | dr | date | ISO 1302 | ISO 406 |
| F | V11056 | W L | 03/20/01 | ISO 101 | 101 |
| F | V12191 | W L | 09/20/01 | tolerances unless otherwise specified | title |
| G | T10287 | W L | 10/19/01 | linear | ±0.30 |
| H | N05-0063 | WB | 03/04/05 | angles | ±2° |
| J | N08-0029 | MZ | 02/26/08 | linear | ±0.30 |
| | | | | scale | 1:1 |
| dr WENDY CHEN 07/12/95 engr L.W. LU 07/12/95 chr JOSEPH HSIA 07/12/95 appd JENN TSAO 07/12/95 | | | | | product family NARROW BODY EJ HEADER ASS'Y 68POS. |
| sheet index 1 2 3 4 | | | | | dwg no 61126 |
| revision 1 2 3 4 | | | | | sheet 1 of 4 size A4 |
| type CUSTOMER Drawing | | | | | |

PDM: Rev:J STATUS Released Printed: Oct 12, 2010 6

form: A3

FCI CONFIDENTIAL

FCI

This document is the property of and includes CONFIDENTIAL and PROPRIETARY information of FCI. No part of the information shown on this document may be used in any way or disclosed to other parties without the written consent of FCI. Copyright FCI.

PRODUCT NO.
61126-****

| | | | | | | | | |
|---------------------|------------|-------------|------------------|---------------------------------|--------------------|---------------------|-------------------|-----------------------|
| LEFT | BELOW | SMT-IL | NONE | 61126-602XY | 94898-502 | 95079-00XY | NONE | LAYOUT 2 |
| RIGHT | BELOW | SMT-IL | NONE | 61126-502XY | 94898-502 | 95079-10XY | | |
| LEFT | ABOVE | SMT-IL | NONE | 61126-102XY | 94898-002 | 95079-10XY | NONE | LAYOUT 1 |
| RIGHT | ABOVE | SMT-IL | NONE | 61126-002XY | 94898-002 | 95079-00XY | | |
| RIGHT | ABOVE | SMT-IL | NONE | 61126-002XYH ④ | 94898-002 | 95079-00XY | 93925-001 | LAYOUT 4 |
| LEFT | BELOW | R/A | 5 | 61126-650XY | 94898-520 | 95079-05XY | NONE | |
| RIGHT | BELOW | R/A | 5 | 61126-550XY | 94898-520 | 95079-15XY | | |
| LEFT | ABOVE | R/A | 5 | 61126-150XY | 94898-020 | 95079-15XY | | |
| LEFT | ABOVE | R/A | 5 | 61126-150XYH ④ | 94898-020 | 95079-15XY | 93925-004 | LAYOUT 3 |
| RIGHT | ABOVE | R/A | 5 | 61126-050XYH ④ | 94898-020 | 95079-05XY | 93925-004 | |
| RIGHT | ABOVE | R/A | 5 | 61126-050XY | 94898-020 | 95079-05XY | NONE | LAYOUT 4 |
| LEFT | BELOW | R/A | 4 | 61126-640XY | 94898-510 | 95079-04XY | | |
| RIGHT | BELOW | R/A | 4 | 61126-540XY | 94898-510 | 95079-14XY | NONE | LAYOUT 3 |
| LEFT | ABOVE | R/A | 4 | 61126-140XY | 94898-010 | 95079-14XY | | |
| RIGHT | ABOVE | R/A | 4 | 61126-040XY | 94898-010 | 95079-04XY | NONE | LAYOUT 4 |
| LEFT | BELOW | R/A | 2 | 61126-620XY | 94898-540 | 95079-02XY | | |
| RIGHT | BELOW | R/A | 2 | 61126-520XY | 94898-540 | 95079-12XY | NONE | LAYOUT 3 |
| LEFT | ABOVE | R/A | 2 | 61126-120XY | 94898-040 | 95079-12XY | | |
| RIGHT | ABOVE | R/A | 2 | 61126-020XY | 94898-040 | 95079-02XY | NONE | LAYOUT 4 |
| LEFT | BELOW | R/A | NONE | 61126-600XY | 94898-500 | 95079-00XY | | |
| RIGHT | BELOW | R/A | NONE | 61126-500XY | 94898-500 | 95079-10XY | NONE | LAYOUT 3 |
| LEFT | ABOVE | R/A | NONE | 61126-100XY | 94898-000 | 95079-10XY | | |
| LEFT | ABOVE | R/A | NONE | 61126-100XYH ④ | 94898-000 | 95079-10XY | 93925-001 | LAYOUT 3 |
| RIGHT | ABOVE | R/A | NONE | 61126-000XYH ④ | 94898-000 | 95079-00XY | 93925-001 | |
| RIGHT | ABOVE | R/A | NONE | 61126-000XY | 94898-000 | 95079-00XY | NONE | |
| ① PUSH ROD LOCATION | ② PCB SIDE | SOLDER TAIL | DIM. L STAND-OFF | TO MAKE FINAL ASS'Y PART NUMBER | HEADER PART NUMBER | MECHANISM ASS'Y P/N | HOLD-DOWN (4 PCS) | PCB LAYOUT SEE PAGE 3 |

NOTE : (CONTIOUS ON SHEET 3)

- ① PUSH ROD LOCATION AND PCB SIDE ARE AS APPEARS INSTALLED.
- ② SOLDER TAIL KEY:
R/A = RIGHT ANGLE PIN-THROUGH-HOLE
SMT-IL = SURFACE MOUNT IN-LINE(SINGLE ROW)
- 3. X = PUSH ROD LENGTH FROM END OF GUIDERAIL

DIM. S C : 13.0 mm
 D : 15.6 mm
 F : 21.0 mm

Y = PUSH ROD COLOR
A : BLACK
H : NATURAL

④ INCLUDES 4 HOLD DOWNS.

⑤ "M" SHOW IT IS LOW COST VERSION, IT IS OPTIONAL, SUCH AS 61126-100CAHLF IS LOW COST VERSION 61126-100CAHLF IS NOT LOW COST VERSION

| | | | | | | |
|-------------|----------------|------------------|---------------------------|---------------------------------------|------------------------------------|----------------------|
| mat'l. code | | surface ISO 1302 | tolerance ISO 406 ISO 101 | projection 101 | product family | |
| ltr | ecn no | dr | date | tolerances unless otherwise specified | title | |
| J | | | | angles linear ±0.30 | NARROW BODY EJ HEADER ASS'Y 68POS. | |
| | | | | ±2' | | |
| | | | | scale 1:1 | | |
| | | dr | WENDY CHEN 07/12/95 | FCI | dwg no | |
| | | enrg | L.W. LU 07/12/95 | | 61126 | sheet 2 of 4 size A4 |
| | | chr | JOSEPH HSIA 07/12/95 | | | |
| | | pppd | JENN TSAO 07/12/95 | | type CUSTOMER Drawing | |
| sheet index | revision sheet | | | | | |

PDM: Rev:J STATUS Released Printed: Oct 12, 2010 6

form: A3

FCI CONFIDENTIAL

FCI

This document is the property of and contains CONFIDENTIAL and PROPRIETARY information of FCI. No part of the information shown on this document may be used in any way or disclosed to others without the written consent of FCI. Copyright © FCI.

form: A3

PRODUCT NO.
61126-****LF

| | | | | | | | | |
|---------------------|------------|-------------|------------------|---------------------------------|--------------------|---------------------|-------------------|-----------------------|
| LEFT | BELOW | SMT-IL | NONE | 61126-602XYLF | 94898-502LF | 95079-00XY | NONE | LAYOUT 2 |
| RIGHT | BELOW | SMT-IL | NONE | 61126-502XYLF | 94898-502LF | 95079-10XY | NONE | LAYOUT 1 |
| LEFT | ABOVE | SMT-IL | NONE | 61126-102XYLF | 94898-002LF | 95079-10XY | NONE | LAYOUT 4 |
| RIGHT | ABOVE | SMT-IL | NONE | 61126-002XYLF | 94898-002LF | 95079-00XY | 93925-001 | LAYOUT 3 |
| RIGHT | ABOVE | SMT-IL | NONE | 61126-002XYHLF④ | 94898-002LF | 95079-00XY | 93925-004 | LAYOUT 3 |
| LEFT | BELOW | R/A | 5 | 61126-650XYLF | 94898-520LF | 95079-05XY | NONE | LAYOUT 4 |
| RIGHT | BELOW | R/A | 5 | 61126-550XYLF | 94898-520LF | 95079-15XY | NONE | LAYOUT 3 |
| LEFT | ABOVE | R/A | 5 | 61126-150XYLF | 94898-020LF | 95079-15XY | NONE | LAYOUT 4 |
| LEFT | ABOVE | R/A | 5 | 61126-150XYHLF④ | 94898-020LF | 95079-15XY | 93925-004 | LAYOUT 3 |
| RIGHT | ABOVE | R/A | 7.7 | 61126-070XYLF ⚠ | 94898-077MLF | 95079-07XY | NONE | LAYOUT 3 |
| RIGHT | ABOVE | R/A | 5 | 61126-050XYHLF④ | 94898-020MLF | 95079-05XY | 93925-004 | LAYOUT 3 |
| RIGHT | ABOVE | R/A | 5 | 61126-050XYLF | 94898-020LF | 95079-05XY | NONE | LAYOUT 4 |
| LEFT | BELOW | R/A | 4 | 61126-640XYLF | 94898-510LF | 95079-04XY | NONE | LAYOUT 3 |
| RIGHT | BELOW | R/A | 4 | 61126-540XYLF | 94898-510LF | 95079-14XY | NONE | LAYOUT 4 |
| LEFT | ABOVE | R/A | 4 | 61126-140XYLF | 94898-010LF | 95079-14XY | NONE | LAYOUT 3 |
| RIGHT | ABOVE | R/A | 4 | 61126-040XYLF | 94898-010LF | 95079-04XY | NONE | LAYOUT 4 |
| LEFT | BELOW | R/A | 2 | 61126-620XYLF | 94898-540LF | 95079-02XY | NONE | LAYOUT 3 |
| RIGHT | BELOW | R/A | 2 | 61126-520XYLF | 94898-540LF | 95079-12XY | NONE | LAYOUT 4 |
| LEFT | ABOVE | R/A | 2 | 61126-120XYLF | 94898-040LF | 95079-12XY | NONE | LAYOUT 3 |
| RIGHT | ABOVE | R/A | 2 | 61126-020XYLF | 94898-040LF | 95079-02XY | NONE | LAYOUT 4 |
| LEFT | BELOW | R/A | NONE | 61126-600XYLF | 94898-500LF | 95079-00XY | NONE | LAYOUT 3 |
| RIGHT | BELOW | R/A | NONE | 61126-500XYLF | 94898-500LF | 95079-10XY | NONE | LAYOUT 4 |
| LEFT | ABOVE | R/A | NONE | 61126-100XYLF | 94898-000LF | 95079-10XY | NONE | LAYOUT 3 |
| LEFT | ABOVE | R/A | NONE | 61126-100XYHLF④ | 94898-000LF | 95079-10XY | 93925-001 | LAYOUT 4 |
| RIGHT | ABOVE | R/A | NONE | 61126-000XYHLF④ | 94898-000LF | 95079-00XY | 93925-001 | LAYOUT 3 |
| RIGHT | ABOVE | R/A | NONE | 61126-000XYLF | 94898-000LF | 95079-00XY | NONE | LAYOUT 4 |
| ① PUSH ROD LOCATION | ② PCB SIDE | SOLDER TAIL | DIM. L STAND-OFF | TO MAKE FINAL ASS'Y PART NUMBER | HEADER PART NUMBER | MECHANISM ASS'Y P/N | HOLD-DOWN (4 PCS) | PCB LAYOUT SEE PAGE 3 |

NOTE: (CONTIONOUS FROM SHEET 2)

- 6. IF LEAD FREE P/N. THE HOUSING WILL WITHSTAND EXPOSURE TO 260°C PEAK TEMPERATURE
SOLDER TAIL : SMT-IL, SMT-STG CAN RESIST 40 SECONDS IN A CONVECTION, INFRA-RED OR VAPOR PHASE REFLOW OVEN.
SOLDER TAIL : R/A CAN RESIST 10 SECONDS IN A WAVE SOLDER APPLICATION WITH A 1.00MM MINIMUM THICK CIRCUIT BOARD.
- 7. IF LEAD FREE P/N.THE PRODUCT MEETS EUROPEAN UNION DIRECTIVES AND OTHER COUNTRY REGULATIONS AS DISCRIBLED IN GS-22-008
- 8. LEAD FREE P/N PACKAGING MEETS GS-14-920 SPECIFICATION

| | | | | | | | |
|-------------|----------------|--|--|---------------------------------------|-----------------|------------|------------------------|
| mat'l. code | | | | surface | tolerance | projection | product family |
| ltr | | | | ISO 1302 | ISO 406 ISO 101 | 101 | |
| ecn no | | | | tolerances unless otherwise specified | | | title |
| dr | | | | angles | linear | ±0.30 | NARROW BODY |
| date | | | | ±2' | linear | MM | EJ HEADER ASS'Y 68POS. |
| | | | | scale 1:1 | | | dwg no |
| | | | | dr | WENDY CHEN | 07/12/95 | sheet 3 of 4 |
| | | | | enfr | L.W. LU | 07/12/95 | size |
| | | | | chr | JOSEPH HSIA | 07/12/95 | A4 |
| | | | | appd | JENN TSAO | 07/12/95 | type |
| | | | | FCI | | | CUSTOMER Drawing |
| sheet index | revision sheet | | | | | | |

PDM: Rev:J STATUS Released Printed: Oct 12, 2010 6

