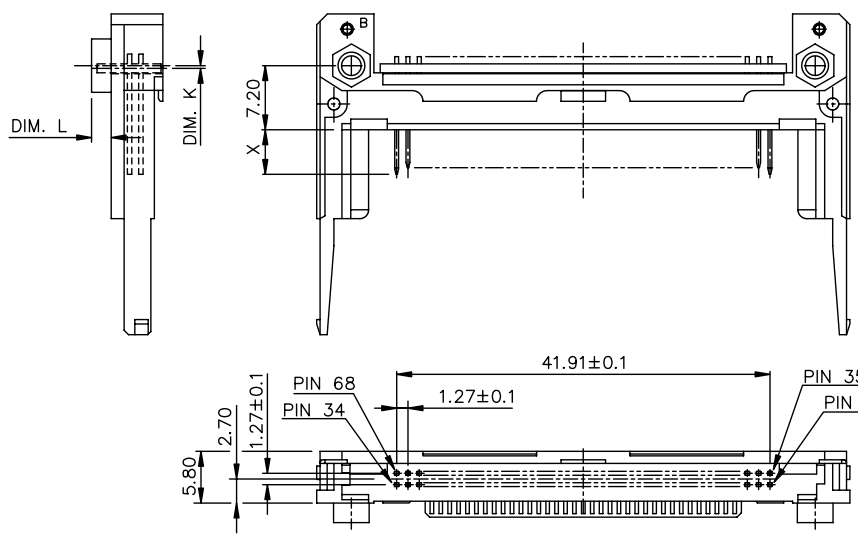


Tous droits strictement réservés. Reproduction ou communication, o des tiers int
 propreté de BERG ELECTRONICS.
 Droits de reproduction BERG ELECTRONICS by

All rights strictly reserved. Reproduction or issue to third parties in any for
 measure is not permitted without written authority from the proprietor.
 Copyright BERG ELECTRONICS by



DIM"X"			
PIN NUMBER	4.25±0.1	3.5±0.1	5.0±0.1
OTHERS	36,67	1,17,34	35,51,68

61127-5022/5022LF	2.2	-0.3
61127-5522/5522LF	0	6.55
61127-5543/5543LF	0	6.55
61127-5550/5550LF	0	6.55
61127-5500/5500LF	0	10.0
61127-5043/5043LF	4.3	-0.3
61127-5050/5050LF	5	-0.3
PRODUCT NO.	DIM.L	DIM.K±0.20

mat'l code		tolerance unless otherwise specified		CUSTOMER COPY		 www.fciconnect.com	
rev. J	ecn no.	dr	date	linear	±0.30	projection	title 68PDS. EJECTOR HEADER HEADER ASS'Y
				angles	± 2°		product family PMSGA
				dr	WENDY CHEN 10/16/01	unit mm/inch	code
				enrg	MINERVA WANG 10/16/01	size	dwg no. 61127
				chr	MINERVA WANG 10/16/01	scale 2:1	sheet 2 of
				appd	JENN TSAO 10/16/01		
sheet index	revision sheet						

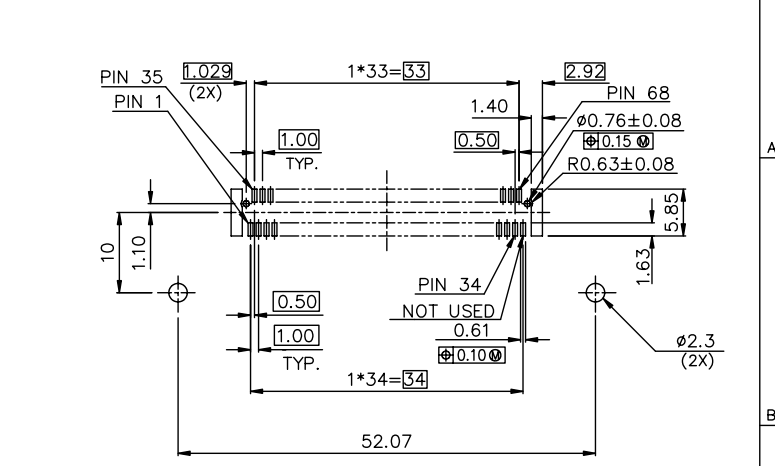
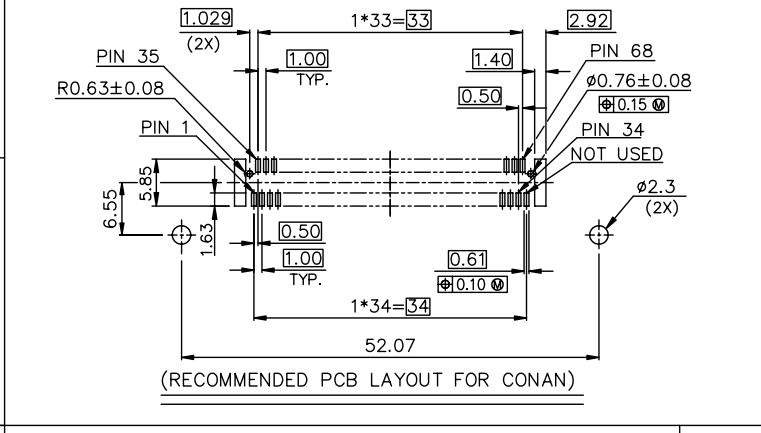
PDM: Rev:K STATUS: Released Printed: Oct 12, 2010

Tous droits strictement réservés. Reproduction ou communication, o des tiers int
 procédé de BERG ELECTRONICS sans autorisation écrite du propriétaire.
 Droits de reproduction BERG ELECTRONICS by

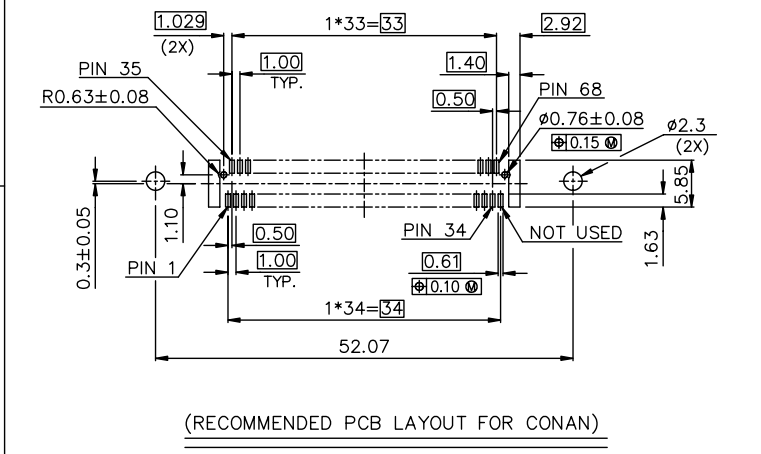
All rights strictly reserved. Reproduction or issue to third parties in any for
 procedure without written authority from the proprietor.
 Copyright BERG ELECTRONICS by

FOR P/N: 61127-0522/0543/0550/0522LF/0543LF/0550LF
 FOR P/N: 61127-0522C/0543C/0550C/0522CLF/0543CLF/0550CLF


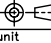
FOR P/N: 61127-0500/0500LF



FOR P/N: 61127-0022/0043/0050/0022B/0050N/0022C/0043C/0050C
 FOR P/N: 61127-0022LF/0043LF/0050LF/0022BLF/0050NLF/0022CLF/0043C/0050CLF

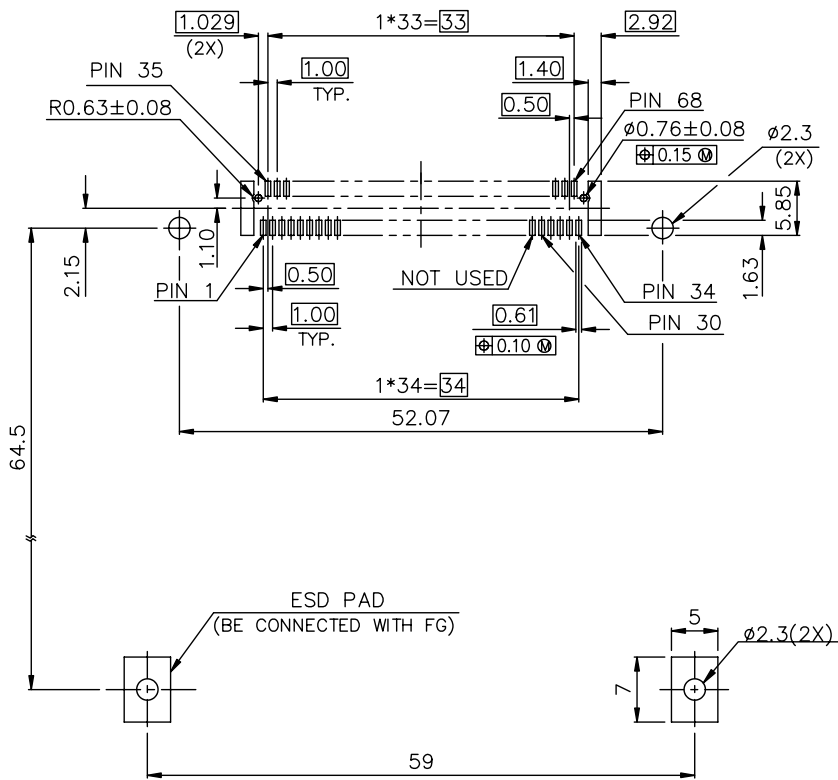


(RECOMMENDED PCB LAYOUT FOR CONAN)

mat'l code		tolerance unless otherwise specified		CUSTOMER COPY		 www.fciconnect.com	
rev. K	ecn no.	dr	date	linear	±0.10	projection	title 68POS. EJECTOR HEADER HEADER ASS'Y
				angles	± 2°		product family PWSGA
				dr WENDY CHEN 05/02/00	unit mm/inch	size	code
				enrg JOSEPH HSIA 05/02/00	scale 2:1	A3	61127
				chr JOSEPH HSIA 05/02/00			sheet 3 of
				appd JOSEPH HSIA 05/02/00			
sheet index	revision sheet						

PDM: Rev:K STATUS Released Printed: Oct 12, 2010

FOR P/N: 61127-0022V/0022VLF



mat'l code		tolerance unless otherwise specified		CUSTOMER COPY		FCI		www.fciconnect.com	
rev.	ecn no.	dr	date	linear	±0.1	projection	title 68POS. EJECTOR HEADER HEADER ASS'Y		
J				angles		⊕			
				dr	WENDY CHEN 01/30/02	unit	product family		code
				engr	MINERVA WANG 01/30/02	mm/inch	size		sheet
				chr	MINERVA WANG 01/30/02	scale	A3 61127		5 of
				appd	JENN TSAO 01/30/02				
sheet	revision								
index	sheet								

PDM: Rev:K STATUS: Released Printed: Oct 12, 2010

All rights strictly reserved. Reproduction or issue to third parties in any form or by any means, without written authority from the proprietor. Copyright © BERG ELECTRONICS BV.