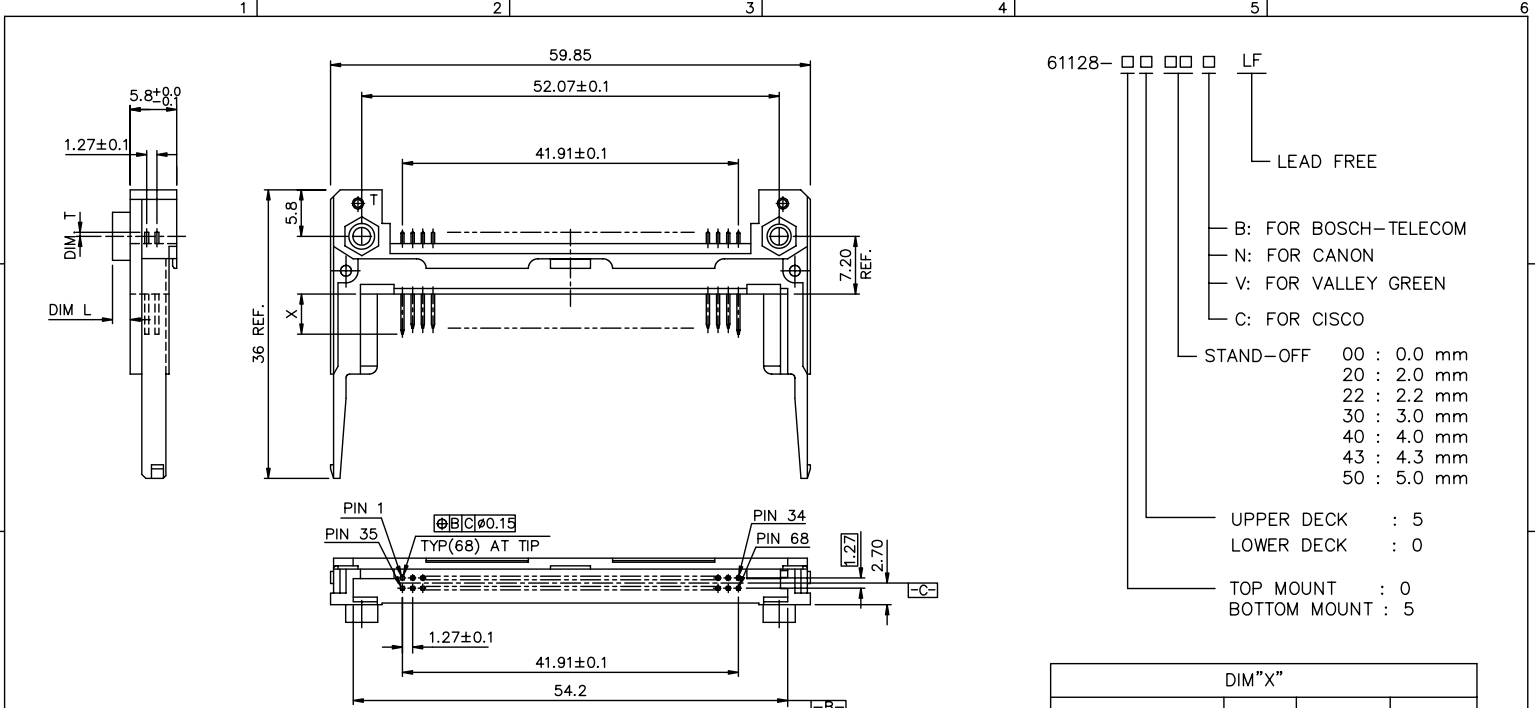


Tous droits strictement réservés. Reproduction ou communication o des tiers int  
 propriété de BERG ELECTRONICS. Toute réimpression sans autorisation écrite du propriétaire.  
 Droits de reproduction BERG ELECTRONICS by

All rights strictly reserved. Reproduction or issue to third parties in any for  
 measure is not permitted without written authority from the proprietor.  
 Copyright BERG ELECTRONICS by



PRODUCT NO	DIM. L	DIM. T±0.10
61128-0543C/0543CLF	0.0	7.5
61128-0050C/0050CLF	5.0	0.6
61128-0043C/0043CLF	4.3	0.6
61128-0022C/0022CLF	2.2	0.6
61128-0022B/0022BLF	2.2	0.6
61128-0022/0022LF	2.2	0.6
61128-0543/0543LF	0.0	7.5
61128-0500/0500LF	0.0	10.9
61128-0100/0100LF	0.0	3.0
61128-0050N/0050NLF	5.0	0.6
61128-0040/0040LF	4.0	0.6
61128-0043/0043LF	4.3	0.6
61128-0050/0050LF	5.0	0.6
61128-0022V/0022VLF	2.2	3.0

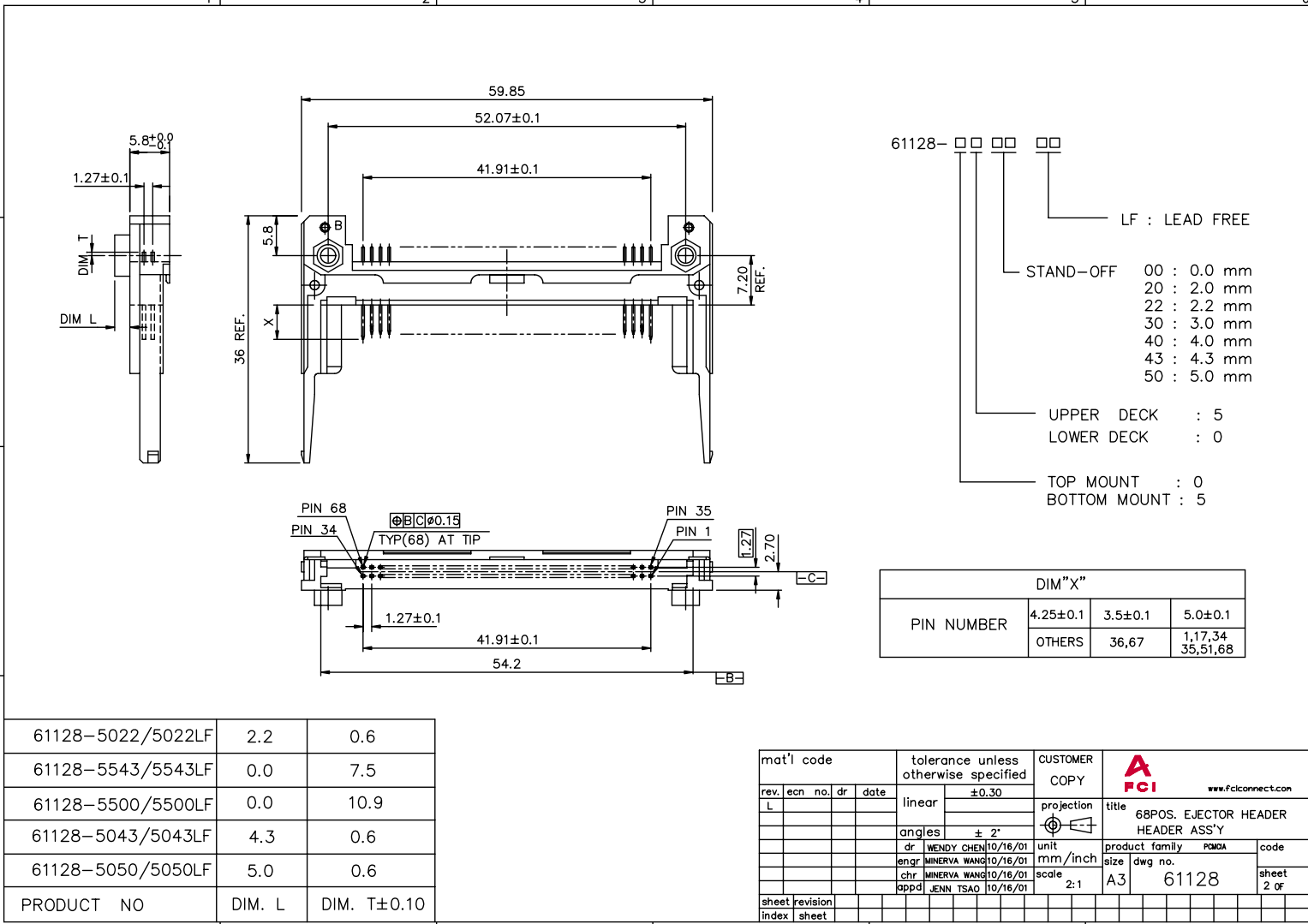
- 61128- [ ] [ ] [ ] [ ] LF
- LEAD FREE
- B: FOR BOSCH-TELECOM
  - N: FOR CANON
  - V: FOR VALLEY GREEN
  - C: FOR CISCO
- STAND-OFF
- 00 : 0.0 mm
  - 20 : 2.0 mm
  - 22 : 2.2 mm
  - 30 : 3.0 mm
  - 40 : 4.0 mm
  - 43 : 4.3 mm
  - 50 : 5.0 mm
- UPPER DECK : 5
- LOWER DECK : 0
- TOP MOUNT : 0
- BOTTOM MOUNT : 5

PIN NUMBER	DIM "X"		
		4.25±0.1	3.5±0.1
OTHERS		36,67	1,17,34 35,51,68

mat'l code		tolerance unless otherwise specified		CUSTOMER COPY		FCI		www.fciconnect.com	
rev.	ecn no.	dr	date	linear	±0.30	projection	title		
K	T03-0389	w	09/16/03				68POS. EJECTOR HEADER HEADER ASS'Y		
L	N04-0030	p	07/21/04						
M	N05-0140	w	05/31/05	angles	± 2'		product family		code
		dr	WENDY CHEN	07/11/95		unit	P000A		
		enrg	L.W. LU	07/11/95		mm/inch	dwg no.		sheet
		chr	JOSEPH HSIA	07/11/95		scale	61128		1 of 2
		appd	JENN TSAO	07/11/95		2:1			
sheet index	revision	M	L						
1	2								

Tous droits strictement réservés. Reproduction ou communication, o des tiers int  
 autorisé sans autorisation écrite du propriétaire.  
 FCI ELECTRONICS  
 Droits de reproduction BERG ELECTRONICS by

All rights strictly reserved. Reproduction or issue to third parties in any for  
 measure is not permitted without written authority from the proprietor.  
 FCI  
 Copyright BERG ELECTRONICS by



61128- □ □ □

LF : LEAD FREE

STAND-OFF

00	: 0.0 mm
20	: 2.0 mm
22	: 2.2 mm
30	: 3.0 mm
40	: 4.0 mm
43	: 4.3 mm
50	: 5.0 mm

UPPER DECK : 5  
 LOWER DECK : 0

TOP MOUNT : 0  
 BOTTOM MOUNT : 5

DIM "X"			
PIN NUMBER	4.25±0.1	3.5±0.1	5.0±0.1
OTHERS	36,67	1,17,34	35,51,68

61128-5022/5022LF	2.2	0.6
61128-5543/5543LF	0.0	7.5
61128-5500/5500LF	0.0	10.9
61128-5043/5043LF	4.3	0.6
61128-5050/5050LF	5.0	0.6
PRODUCT NO	DIM. L	DIM. T ±0.10

mat'l code		tolerance unless otherwise specified		CUSTOMER COPY		FCI		www.fciconnect.com	
rev.	ecn no.	dr.	date	linear	±0.30	projection	title		
L				angles	± 2°		68POS. EJECTOR HEADER HEADER ASS'Y		
				dr.	WENDY CHEN 10/16/01	unit	product family		code
				enrg.	MINERVA WANG 10/16/01	mm/inch	PQWGA		
				chr.	MINERVA WANG 10/16/01	size	dwg no.		sheet
				appd.	JENN TSAO 10/16/01	scale	A3 61128		2 of
sheet	revision								
index	sheet								

PDW: Rev:M STATUS Released Printed: Oct 12, 2010