

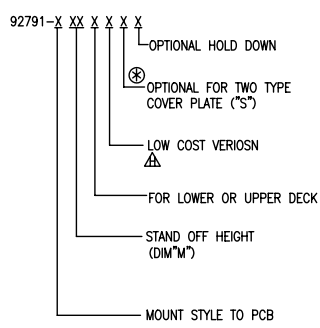
FCI CONFIDENTIAL

FCI

This document is the property of and includes CONFIDENTIAL and PROPRIETARY information of FCI. No part of the information shown on this document may be used in any way or disclosed to others without the written consent of FCI. Copyright © FCI

PRODUCT NO.  
SEE TABLE

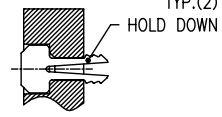
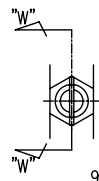
PRODUCT NO. 92791-XXXX	STAND OFF DIM "M"(mm)	HOLD DOWN
001	0	NONE
001MLF	0	NONE
001LF	0	NONE
001H	0	YES
001HLF	0	YES
011	0	NONE
021	2	NONE
021LF	2	NONE
041	4	NONE
041LF	4	NONE
041H	4	YES
041HLF	4	YES
051	5	NONE
051M	5	NONE
051LF	5	NONE
051H	5	YES
051HLF	5	YES
052	5	NONE
053M	5	NONE
022LF	2.2	NONE
022	2.2	NONE
043LF	4.3	NONE
043	4.3	NONE



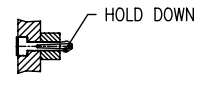
NONE : N 0  
H : YES(SEE FIGURE OF -XXXH)  
NONE "S": 93328-001 (EXCEPT 92791-052)  
S (P/N WITH "S"): 72228-003

NONE : N 0  
M: YES

1 : AVAILABLE FOR BOTH DECKS  
NONE : NOT AVAILABLE FOR BOTH DECKS  
0 : 0mm(NONE)  
2 : 2mm 22: 2.2mm  
4 : 4mm 43: 4.3mm  
5 : 5mm  
0 : AVAILABLE FOR BOTH MOUNT



92791-xxxH  
(OPTIONAL HOLD DOWN)



ONLY FOR 92791-053M

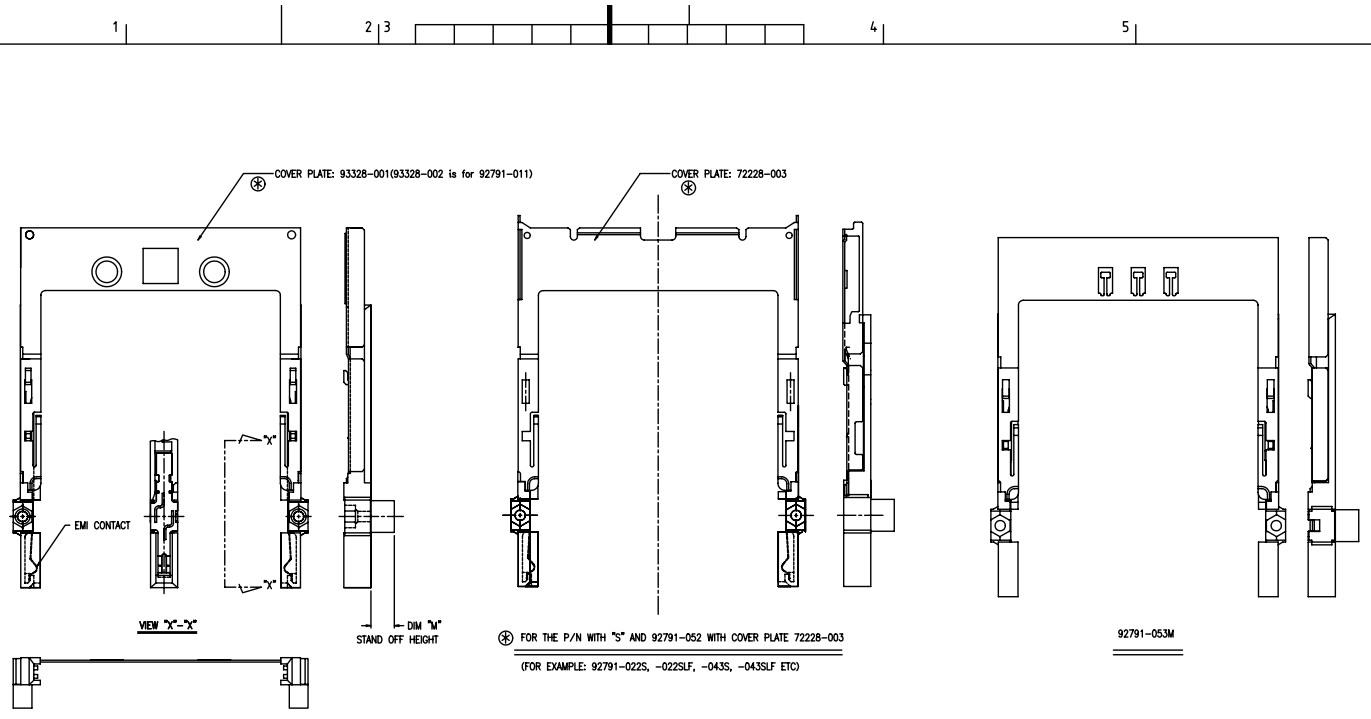
mat'l. code				surface ISO 1302	tolerance ISO 406 ISO 1101	projection ISO 10	product family PCMCIA
lfr	ecr	no	dr	date	tolerances unless otherwise specified	MM	title 68P LONG HEADER TYPE 1/II /III GUIDE ASSY
H	N06-006	NZ		03/22/06	angles	linear	
J	N06-0129	MZ		05/10/06	±2°	scale 4	
K	N07-0109	DT		4/25/07	dr		dwg no 92791
L	N07-0219	MZ		1/7/08	chr		sheet 1 of 2 A 4
M	N08-0219	MZ		11/20/08	engr		size
					chr		
					pppd		type CUSTOMER Drawing
sheet index	revision sheet	M	M				
		1	2				

FCI CONFIDENTIAL



This document is the property of and includes CONFIDENTIAL and PROPRIETARY information of FCI. No part of the information shown on this document may be used in any way or disclosed to others without the written consent of FCI. Copyright © FCI.

PRODUCT NO.
92791-001
92791-001LF
92791-001H
92791-001HLF
92791-021
92791-021LF
92791-041
92791-041LF
92791-041H
92791-041HLF
92791-051
92791-051M
92791-051LF
92791-051H
92791-051HLF
92791-052
92791-022
92791-022LF
92791-043
92791-043LF
92791-011
92791-001M
92791-053M



**NOTE**

① MATERIAL  
 GUIDE : POLYPHTHARAMID UL94V-0 BLACK  
 PLATE : STAINLESS  
 EMI CONTACT : PHOSPHOR BRONZE  
 HOLD DOWN : BRASS

② FINISH  
 EMI CONTACT : PRE-PLATING  
 0.5µm MIN. Ni OVER ALL UNDER PLATING  
 0.5µm MIN. Au CONTACT AREA

⚠ 3 "M" SHOWS IT IS LOW COST VERSION, IT IS OPTIONAL AND IN FIRST OF LETTER OF PART NO., SUCH AS 92791-051M IS LOW COST VERSION. DETAIL AS COMPONENT INFORMATION, 92791-051 IS NOT LOW COST VERSION.

4. GENERAL TOLERANCE : ±0.3

mat'l. code		surface	tolerance	projection	product family
ISO 1302		ISO 406 ISO 1101	ISO 406 ISO 1101	ISO 10	PCMCIA
lfr ecn no dr date		tolerances unless otherwise specified		MM	title
M		angles linear		scale 4	68P LONG HEADER TYPE I / II / III GUIDE ASSY
±2'		dr Mike Zhou 05/10/06		dwg no sheet 2 of 2 size	
±2'		enr Mike Zhou 05/10/06		92791 A 4	
±2'		chr Mike Zhou 05/10/06		type CUSTOMER Drawing	
±2'		appd Qin David 05/10/06		FCI	
sheet index	revision sheet				