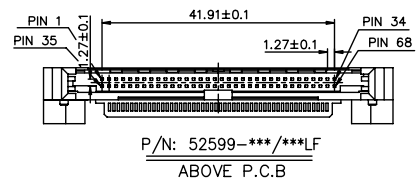
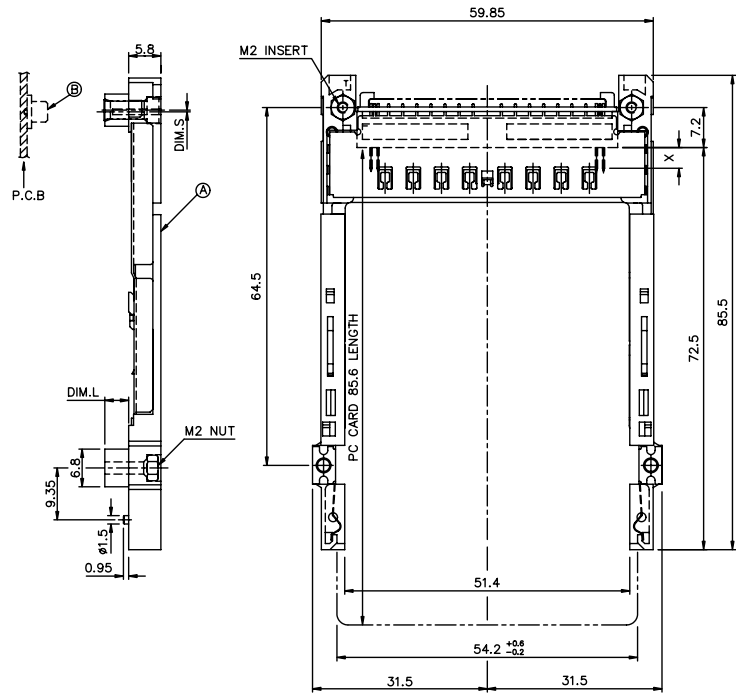


FCI CONFIDENTIAL

FCI

This document is the property of and includes CONFIDENTIAL and PROPRIETARY information of FCI. No part of the information shown on this document may be used in any way or disclosed to others without the written consent of FCI. Copyright FCI.

PRODUCT NO.	DIM.L	DIM.S
52599-022/022LF	2.2	1.0
52599-043/043LF	4.3	-0.3
52599-050/050LF	5.0	-0.3



NOTES:

- MATERIAL:
 - 1.1 EJECT HEADER ASS'Y
 PLASTIC HOUSING: LCP UL94V-0 BLACK
 PIN: COPPER ALLOY
 PCB: FR4
 PLASTIC GUIDE: POLYPHTHARAMID UL94V-0 BLACK
 - 1.2 RECEPTACLE
 PLASTIC: LCP 94V-0 NATURAL
 PIN: BeCu
- FINISH
 PIN :
 UNDER PLATING: 1.27 um MIN. Ni
 CONTACT AREA: 0.13 um MIN. GOLD OVER
 0.5 um MIN. Pd-Ni
 SOLDER TAIL: 2.5 um MIN. Sn-Pb
 : 2.5 um MIN. PURE Sn (FOR -***LF)
 GROUND SHIELD :
 UNDER PLATING: 1.27 um MIN. Ni
 CONTACT SURFACE: 0.2 um GOLD (ONE SIDE ONLY)
- P.C.B. ARE AS APPEARS INSTALLED
- DIM "X"

4.25±0.1	3.5±0.1	5.0±0.1
OTHERS	36,67	1,17,34,35,51,68
- DO NOT TOUCH AND KEEP CLEAN THE SURFACES OF PCB OF HEADER ASS'Y.
- IF LEAD FREE P/N. THE HOUSING WILL WITHSTAND EXPOSURE TO 260°C PEAK TEMPERATURE FOR 10 SECONDS IN A WAVE SOLDER APPLICATION WITH A 1.00MM MINIMUM THICK CIRCUIT BOARD.
- LEAD FREE PRODUCT MEETS EUROPEAN UNION DIRECTIVES AND OTHER COUNTRY REGULATIONS AS DESCRIBED IN GS-22-008
- IF LEAD FREE P/N. PACKAGING MEETS GS-14-920 SPECIFICATION

ORDERING INFORMATION

NAME	PART NO.	Q'TY
(A) EJECT HEADER ASS'Y	52599-***/**/LF	1
(B) MATING RECEPTACLE	73277-101000/101402LF	1

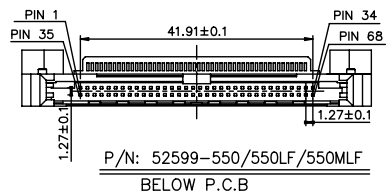
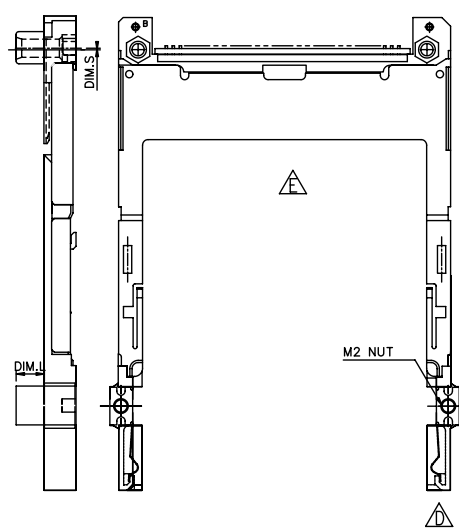
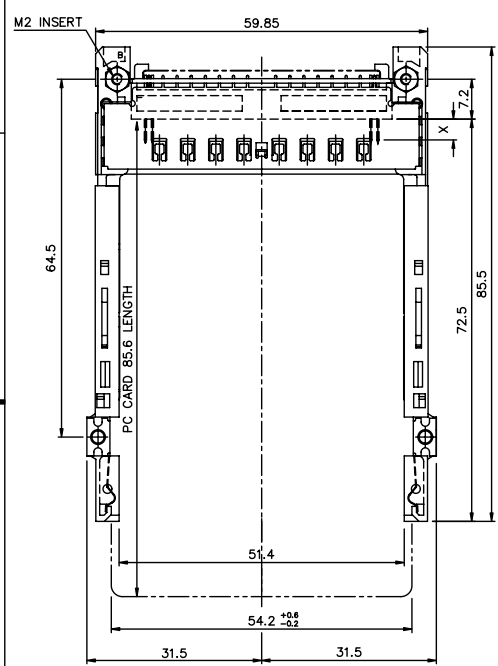
mat'l. code	surface ISO 1302	tolerance ISO 406 ISO 101	projection 101	product family CARDBUS		
ltr	ecr	no	dr	date	tolerances unless otherwise specified	title CARDBUS NONE PUSH ROD, TYPE 1/2/3
A	T00092	WL	04/06/00		angles linear	MM
B	T00270	WL	09/04/00		± 0.30	scale 1:2:1
C	N05-0135	WB	05/27/05		±2°	
D	N05-0316	MZ	11/18/05	dr	Mike Zhou 08/18/06	dwg no
E	N06-0081	MZ	03/28/06	engr	Mike Zhou 08/18/06	52599
F	N06-0220	MZ	08/18/06	chr	Mike Zhou 08/18/06	A4
G	N08-0028	MZ	11/21/06	pppd	Qin David 08/18/06	type CUSTOMER Drawing
sheet index	revision sheet	G	G	G	G	G
	1	2	3	4	5	

FCI CONFIDENTIAL

FCI

This document is the property of and includes CONFIDENTIAL and PROPRIETARY information of FCI. No part of the information shown on this document may be used in any way or disclosed to others without the written consent of FCI. Copyright FCI.

PRODUCT NO.	DIM.L	DIM.S
52599-550	5.0	-0.3
52599-550LF	5.0	-0.3
52599-550MLF	5.0	-0.3



- NOTES:
- MATERIAL:
 - 1.1 EJECT HEADER ASS'Y
 PLASTIC HOUSING: LCP UL94V-0 BLACK
 PIN: COPPER ALLOY
 PCB: FR4
 PLASTIC GUIDE: NYLON UL94V-0 BLACK
 - 1.2 RECEPTACLE
 PLASTIC: LCP 94V-0 NATURAL
 PIN: BeCu
 - FINISH
 PIN :
 UNDER PLATING: 1.27 um MIN. Ni
 CONTACT AREA 1: 0.13 um MIN. GOLD OVER
 0.5 um MIN. Pd-Ni
 CONTACT AREA 2 : 0.25um MIN.GOLD (FOR****-MLF)
 SOLDER TAIL:1) 2.5 um MIN. Sn-Pb
 :2) 2.5 um MIN. PURE Sn (FOR -****LF&-****MLF)
 - GROUND SHIELD :
 UNDER PLATING: 1.27 um MIN. Ni
 CONTACT SURFACE: 0.2 um GOLD (ONE SIDE ONLY)
 - P.C.B. ARE AS APPEARS INSTALLED
 - DIM "X"

4.25±0.1	3.5±0.1	5.0±0.1
OTHERS	36,67	1,17,34,35,51,68
 - DO NOT TOUCH AND KEEP CLEAN THE SURFACES OF PCB OF HEADER ASS'Y.
 - IF LEAD FREE P/N. THE HOUSING WILL WITHSTAND EXPOSURE TO 260°C PEAK TEMPERATURE FOR 10 SECONDS IN A WAVE SOLDER APPLICATION WITH A 1.00MM MINIMUM THICK CIRCUIT BOARD.
 - LEAD FREE PRODUCT MEETS EUROPEAN UNION DIRECTIVES AND OTHER COUNTRY REGULATIONS AS DESCRIBED IN GS-22-008
 - IF LEAD FREE P/N. PACKAGING MEETS GS-14-920 SPECIFICATION

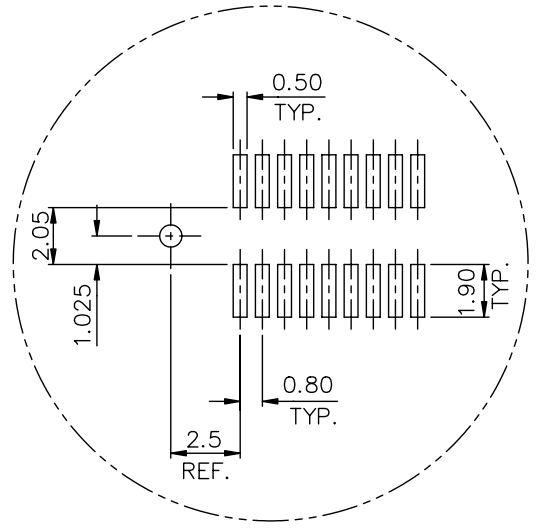
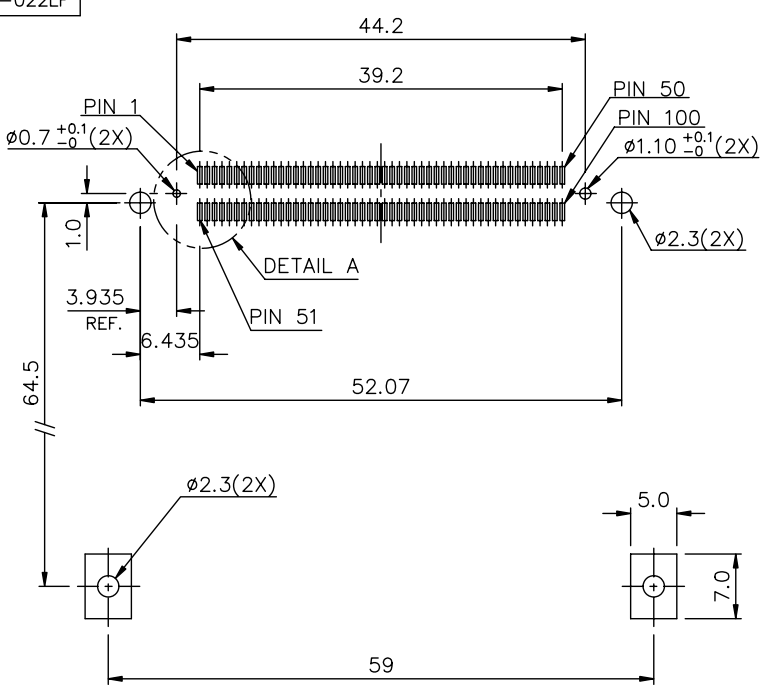
ORDERING INFORMATION

NAME	PART NO.	Q'TY
(A) EJECT HEADER ASS'Y	52599-***/**/MLF	1
(B) MATING RECEPTACLE	73277-101000/101402LF	1

mat'l. code	surface ISO 1302	tolerance ISO 406	projection ISO 101	product family
ltr	ecn no	dr	date	CARDBUS
G				title
				CARDBUS NONE PUSH ROD, TYPE 1/2/3
				scale 1:2:1
				MM
				dwg no
				52599
				sheet 2 of 5
				A4
				type CUSTOMER
				Drawing
sheet index	revision sheet			

FCI CONFIDENTIAL

PRODUCT NO.
52599-022
52599-022LF



DETAIL A

4 CARD INSERTION DIRECTION

mat'l. code	surface ISO 1302	tolerance ISO 406 ISO 101	projection 101	product family CARDBUS
ltr G	ecn no	dr date	date	title CARDBUS NONE PUSH ROD, TYPE 1/2/3
		angles linear	± 0.10	MM
		± 2°	scale 1.5:1	
		dr Mike Zhou 08/18/06		dwg no 52599
		enr Mike Zhou 08/18/06		sheet 4 of 5 size A4
		chr Mike Zhou 08/18/06		type CUSTOMER Drawing
		ppd Qin David 08/18/06		
sheet index	revision sheet			

PDM: Rev:G STATUS: Released Printed: Oct 12, 2010 6

This document is the property of and includes CONFIDENTIAL and PROPRIETARY information of FCI. No part of the information shown on this document may be used in any way or disclosed to others without the written consent of FCI. Copyright © FCI.



FCIconnect.com

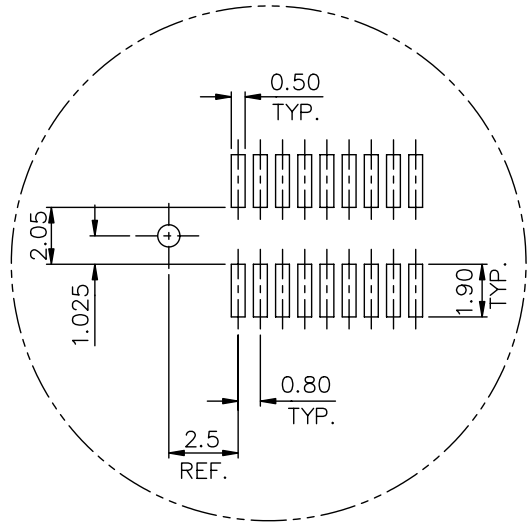
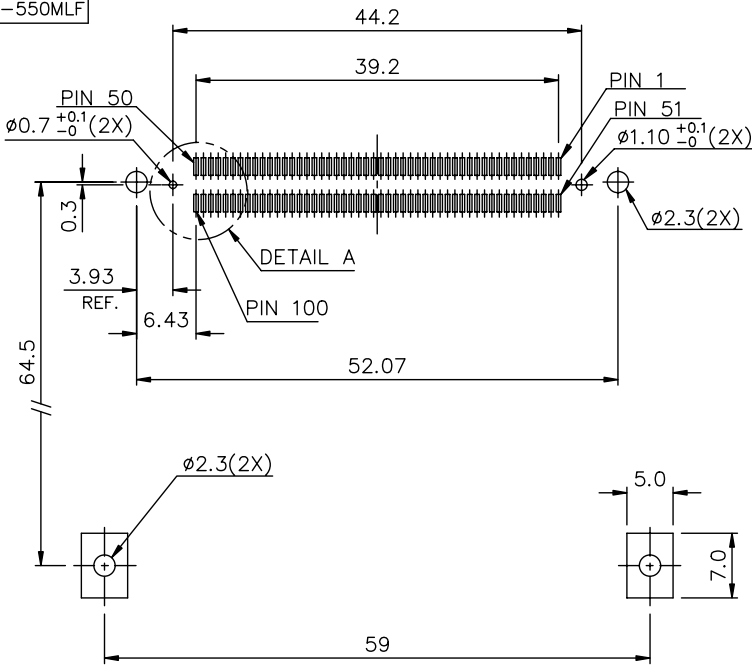
form: A3

FCI CONFIDENTIAL

FCI
FCIconnect.com

This document is the property of and includes CONFIDENTIAL and PROPRIETARY information of FCI. No part of the information shown on this document may be used in any way or disclosed to others without the written consent of FCI.
Copyright © FCI

PRODUCT NO.	52599-550
	52599-550LF
	52599-550MLF



DETAIL A

4 CARD INSERTION DIRECTION

mat'l. code	surface ISO 1302	tolerance ISO 406 ISO 101	projection 101	product family CARDBUS
ltr G	ecn no	dr date	date	title CARDBUS NONE PUSH ROD, TYPE 1/2/3
			angles linear ± 0.10	MM
			± 2'	scale 1:5:1
		dr Mike Zhou 08/18/06	engr Mike Zhou 08/18/06	FCI dwg no 52599
		chr Mike Zhou 08/18/06	ppd Qin David 08/18/06	sheet 5 of 5 size A4
sheet index	revision sheet			type CUSTOMER Drawing