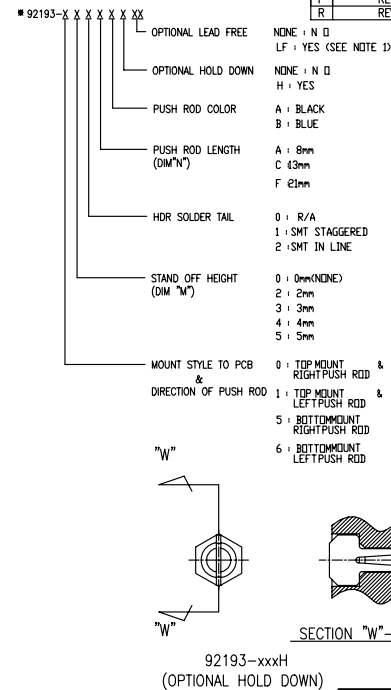


PRODUCT NO.
92193

REV	DESCRIPTION	ECN	BY	DATE
V	CORRECT WRONG DRAWING			06/18/05
B	REVISED	130128	M.K.	12/21/04
C	REVISED	140163	M.K.	6/26/04
D	REVISED	140740	M.K.	6/24/04
E	REVISED	140840	M.K.	7/5/04
F	REVISED	140198	M.K.	7/19/04
G	REVISED	132129	M.K.	12/27/04
H	REVISED	140349	M.K.	12/25/05
J	REVISED	150242	M.K.	1/18/06
K	REVISED	160956	M.K.	7/29/06
L	REVISED/ADDED -050CAH -130CA -130CAH/	U70134	K.S.	6/8/07
M	REVISED	N90076	M.K.	7/22/09
N	REVISED/ADDED -502FA	1401593	M.K.	11/11/09
P	REVISED	05-0198	M.H.	4/1/05
R	REVISED	104-0820	M.H.	4/25/05

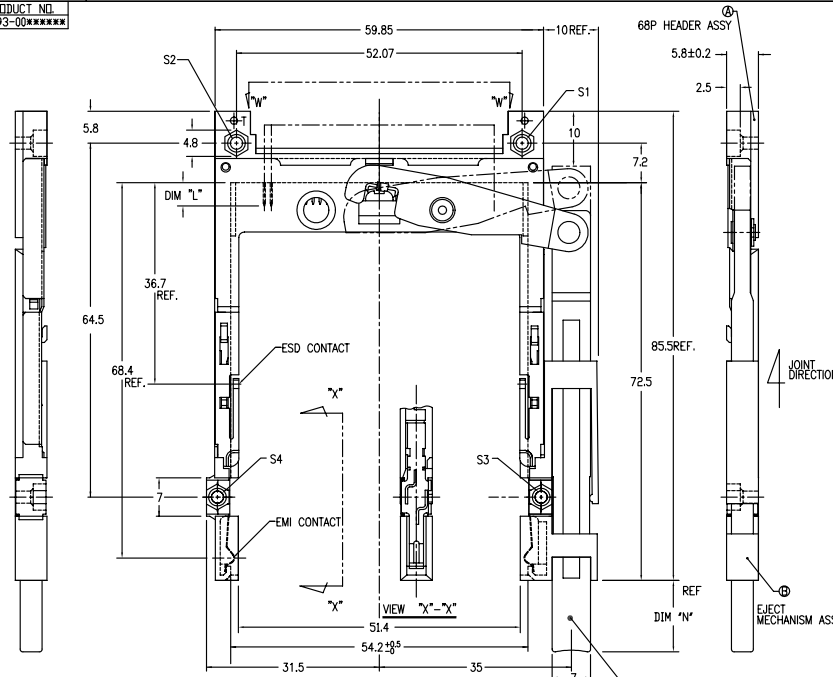
PRODUCT NO.	STAND OFF (mm)	DIM "N" (mm)	PUSH ROD COLOR	HDR SOLDER TAIL	HDR	HOLD DOWN	MECH ASSY	HDR ASSY	DIM "P"	HDR COLOR	SHEET NO.	MOUNT STYLE TO PCB & DIRECTION OF PUSH ROD
92193-XXXXX												
000AA	0	8	BLACK	R/A	NONE	00AA	000	000	2.8			
000CA	0	13	BLACK	R/A	NONE	00CA	000	000	2.8			
000CAH	0	13	BLACK	R/A	YES	00CAH	000H	000H	2.8			
000CB	0	13	BLUE	R/A	NONE	00CB	000	000	2.8			
000CBH	0	13	BLUE	R/A	YES	00CBH	000H	000H	2.8			
000FA	0	21	BLACK	R/A	YES	00FA	000	000	2.8			
001AA	0	8	BLACK	SMT STAGGERED	NONE	00AA	001	001	2.8		NO.2	TOP MOUNT TO PCB & RIGHT PUSH ROD
001AAH	0	8	BLACK	SMT STAGGERED	YES	00AAH	001H	001H	2.8	BLACK		
001CA	0	13	BLACK	SMT STAGGERED	NONE	00CA	001	001	2.8			
001CAH	0	13	BLACK	SMT STAGGERED	YES	00CAH	001H	001H	2.8			
001FA	0	21	BLACK	SMT STAGGERED	NONE	00FA	001	001	2.8			
001FAH	0	21	BLACK	SMT STAGGERED	YES	00FAH	001H	001H	2.8			
002CA	0	13	BLACK	SMT IN LINE	NONE	00CA	002	002	2.8			
002CAH	0	13	BLACK	SMT IN LINE	YES	00CAH	002H	002H	2.8			
020CA	2	13	BLACK	R/A	NONE	02CA	040	040	2.5			
040CA	4	13	BLACK	R/A	NONE	04CA	010	010	2.8			
050CA	5	13	BLACK	R/A	NONE	05CA	020	020	2.8			
050CAH	5	13	BLACK	R/A	YES	05CAH	020H	020H	2.8			
100CA	0	13	BLACK	R/A	NONE	10CA	000	000	2.8			
100CAH	0	13	BLACK	R/A	YES	10CAH	000H	000H	2.8			
101CA	0	13	BLACK	SMT STAGGERED	NONE	10CA	001	001	2.8			
101CAH	0	13	BLACK	SMT STAGGERED	YES	10CAH	001H	001H	2.8			
101FA	0	21	BLACK	SMT STAGGERED	NONE	10FA	001	001	2.8			
101FAH	0	21	BLACK	SMT STAGGERED	YES	10FAH	001H	001H	2.8			
102CA	0	13	BLACK	SMT IN LINE	NONE	10CA	002	002	2.8			
102CAH	0	13	BLACK	SMT IN LINE	YES	10CAH	002H	002H	2.8			
120CA	2	13	BLACK	R/A	NONE	12CA	040	040	2.5			
120FA	2	21	BLACK	R/A	NONE	12FA	040	040	2.5			
130CA	3	13	BLACK	R/A	NONE	13CA	050	050	2.8			
130CAH	3	13	BLACK	R/A	YES	13CAH	050H	050H	2.8			
140CA	4	13	BLACK	R/A	NONE	14CA	010	010	2.8			
150CA	5	13	BLACK	R/A	NONE	15CA	020	020	2.8			
500CA	0	13	BLACK	R/A	NONE	10CA	500	500	2.8			
500CAH	0	13	BLACK	R/A	YES	10CAH	500H	500H	2.8			
500FA	0	21	BLACK	R/A	NONE	10FA	500	500	2.8			
501CA	0	13	BLACK	SMT STAGGERED	NONE	10CA	501	501	2.8			
501CAH	0	13	BLACK	SMT STAGGERED	YES	10CAH	501H	501H	2.8	NATURAL	NO.6	BOTTOM MOUNT TO PCB & RIGHT PUSH ROD
502CA	0	13	BLACK	SMT IN LINE	NONE	10CA	502	502	2.8			
502CAH	0	13	BLACK	SMT IN LINE	YES	10CAH	502H	502H	2.8			
502FA	0	21	BLACK	SMT IN LINE	NONE	10FA	502	502	2.8			
520CA	2	13	BLACK	R/A	NONE	12CA	540	540	2.5			
540CA	4	13	BLACK	R/A	NONE	14CA	510	510	2.8	NATURAL	NO.7	
550CA	5	13	BLACK	R/A	NONE	15CA	520	520	2.8			
600CA	0	13	BLACK	R/A	NONE	00CA	500	500	2.8			
600CAH	0	13	BLACK	R/A	YES	00CAH	500H	500H	2.8			
601CA	0	13	BLACK	SMT STAGGERED	NONE	00CA	501	501	2.8			
601CAH	0	13	BLACK	SMT STAGGERED	YES	00CAH	501H	501H	2.8	NATURAL	NO.8	
602CA	0	13	BLACK	SMT IN LINE	NONE	00CA	502	502	2.8			
602CAH	0	13	BLACK	SMT IN LINE	YES	00CAH	502H	502H	2.8			
620CA	2	13	BLACK	R/A	NONE	02CA	540	540	2.5			
640CA	4	13	BLACK	R/A	NONE	04CA	510	510	2.8	NATURAL	NO.9	
650CA	5	13	BLACK	R/A	NONE	05CA	520	520	2.8			



NOTE
1. THIS PRODUCT MEETS EUROPEAN UNION
DIRECTIVES AND OTHER COUNTRY
REGULATIONS AS DESCRIBED IN GS-22-008.

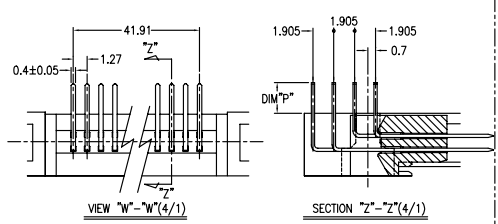
SHEET INDEX	ISSUE	MAT	DATE	CUSTOMER COPY	TITLE
	SH. NO.				68P EJECTOR HEADER ASSY FOR TYPE I/II/III (FOR 5.0V)
		MAY	09/16/05		PRODUCT FAMILY SAN# Header PCMCIA CODE #P
					SCALE: SIZE DWG. NO. 92193 REV SHEET
					UNIT: mm
					1 of 0

PRODUCT NO.
92193-00*****

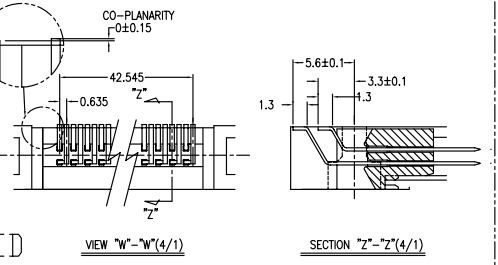


REVISIONS			
REV	DESCRIPTION	ECN	BY/ DATE
L	REVISED	J05-0198	M.H./4/4/95
M	REVISED	104-0820	M.H./2/25/95
T	REVISED (ADDED -*****LF)	105-0127	RB /05/08/95
U	REVISED		
V	REVISED		
G	REVISED	J40198	M.K./1/29/94
H	REVISED	J40349	M.K./1/9/95
J	REVISED	J50242	M.K./1/18/95
K	REVISED	J70134	K.S./8/8/97

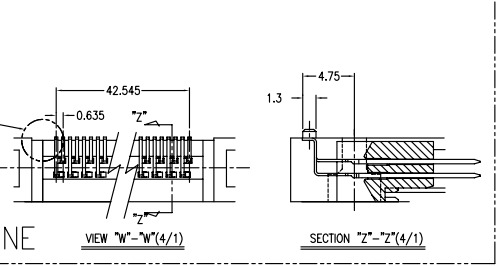
PRODUCT NO.	REVISION
92193-000AA/000AALF	△
92193-000CA/000CALF	△
92193-000CB/000CBLF	△
92193-000CH/000CHLF	△
92193-000FA/000FALF	△



PRODUCT NO.	REVISION
92193-001AA	△
92193-001AAH	△
92193-001CA	△
92193-001CAH	△
92193-001FA	△
92193-001FAH	△



PRODUCT NO.	REVISION
92193-002CA	△
92193-002CAH	△



- NOTE
- EJECT FORCE 3.5Kg MAX.
 - ASSY PROCESS
 - TO MOUNT PART (A) ON PWB WITH SCREW (S1,S2) AND SOLDER.
 - TO JOINT PART (B) INTO PART (A), THEN FIX PART (B) WITH 2 SCREWS (S3,S4).
 - EJECT TRAVEL 8.0mm

- (A) MATERIAL
- PART (A) (HEADER ASSY)
 - HOUSING : LCP UL94V-0
 - PIN : PHOSPHOR BRONZE
 - PART (B) (EJECT MECHANISM ASSY)
 - GUIDE : POLYPHTHARAMID UL94V-0 BLACK
 - PUSH ROD : FLAME RETARDANT UL94V-0
 - PLATE : STAINLESS
 - EMI CONTACT : PHOSPHOR BRONZE
 - OPTIONAL HOLD-DOWN : BRASS

- FINISH 5.1 PIN
- EMI CONTACT
 - UNDER PLATING : 2.0µm MIN. Ni
 - CONTACT AREA : 0.5µm MIN. Au
 - SOLDER TAIL : 2.5µm MIN. Sn-Pb OR 2.5µm MIN. PURE Sn.(FOR -*****LF)
- OPTIONAL HOLD-DOWN : 2.5µm MIN. PURE Sn.

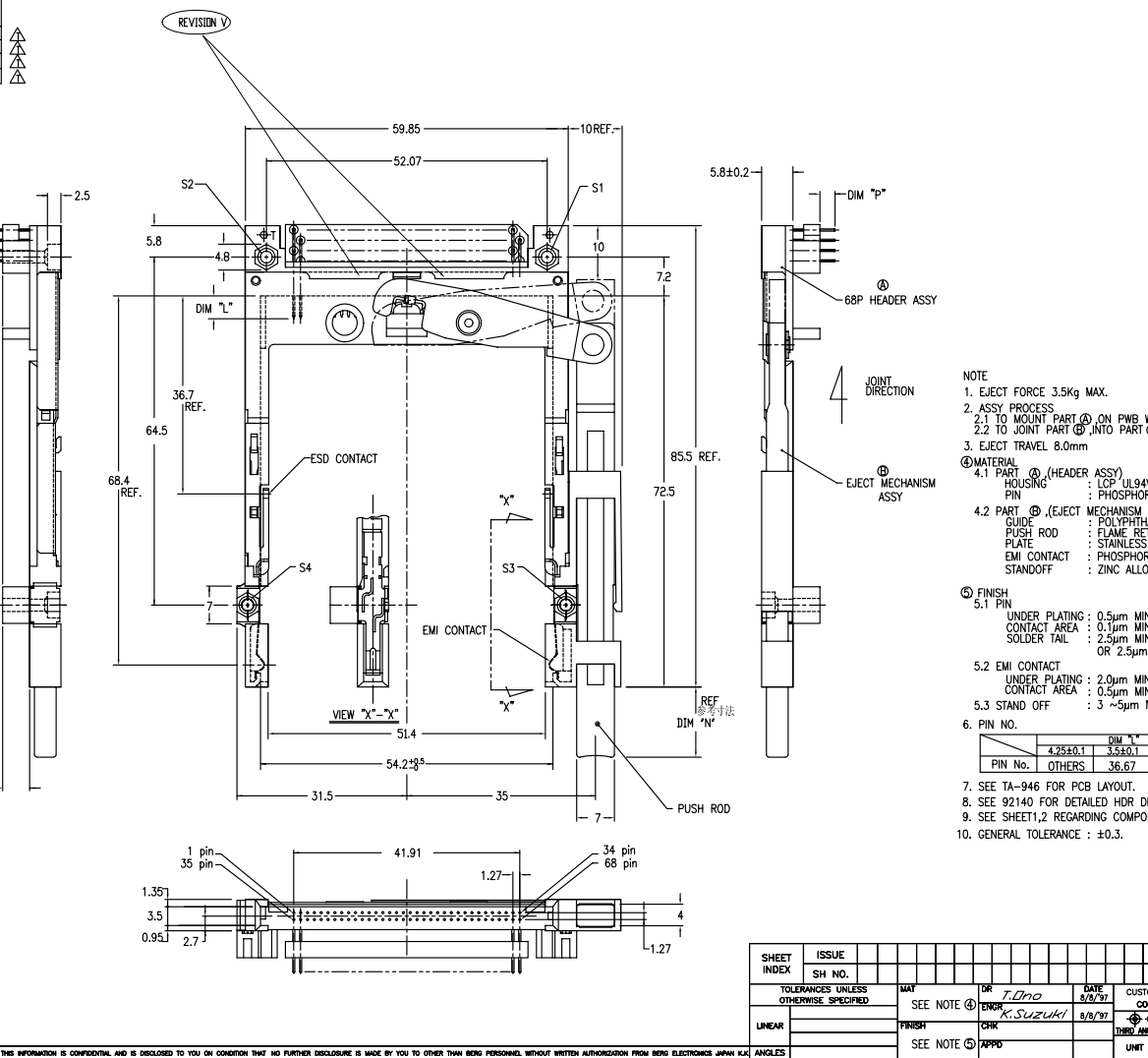
PIN NO.	DIM "L"	
	4.25±0.1	3.5±0.1
OTHERS	36.67	5.0±0.1
		117.24
		35.21.68

- SEE TA-946 FOR PCB LAYOUT.
- SEE 92140 FOR DETAILED HDR DIMENSION.
- SEE SHEET 1,2 REGARDING COMPONENTS.
- GENERAL TOLERANCE : ±0.3

SHEET INDEX	ISSUE SH. NO.	DATE	CUSTOMER COPY	TITLE
		1/25/05		68P EJECTOR HEADER ASSY FOR TYPE I/II/III (FOR 5.0V)
		1/25/05		PRODUCT FAMILY Header PCMCIA
				SCALE SIZE DWG. NO. 2/1 C 92193
				REV SHEET 3 OF

DO NOT SCALE PRINT THIS INFORMATION IS CONFIDENTIAL AND IS DISCLOSED TO YOU ON CONDITION THAT NO FURTHER DISCLOSURE IS MADE BY YOU TO OTHER THAN FCI PERSONNEL WITHOUT WRITTEN AUTHORIZATION FROM FCI JAPAN K.K.

PRODUCT NO.
92193-020CA/020CALF
92193-040CA/040CALF
92193-050CA/050CALF
92193-050CAH/050CAHLF



REVISIONS				
REV	DESCRIPTION	ECN	BY	DATE
A	RELEASED	J30022	N.T	0/19/93
B	REVISED	J40163	M.K	5/25/94
C	REVISED	V40840	M.K	7/ 5/94
D	REVISED	V32120	M.K	12/21/94
E	REVISED	J40349	M.K	1/19/95
F	REVISED	J50242	M.K	1/18/95
G	REVISED (ADDED-050CAH)	J70134	K.S	1/18/97
T	REVISED (ADDED -*****LF)	M5-0127	W6	1/25/18/95
U				
V				

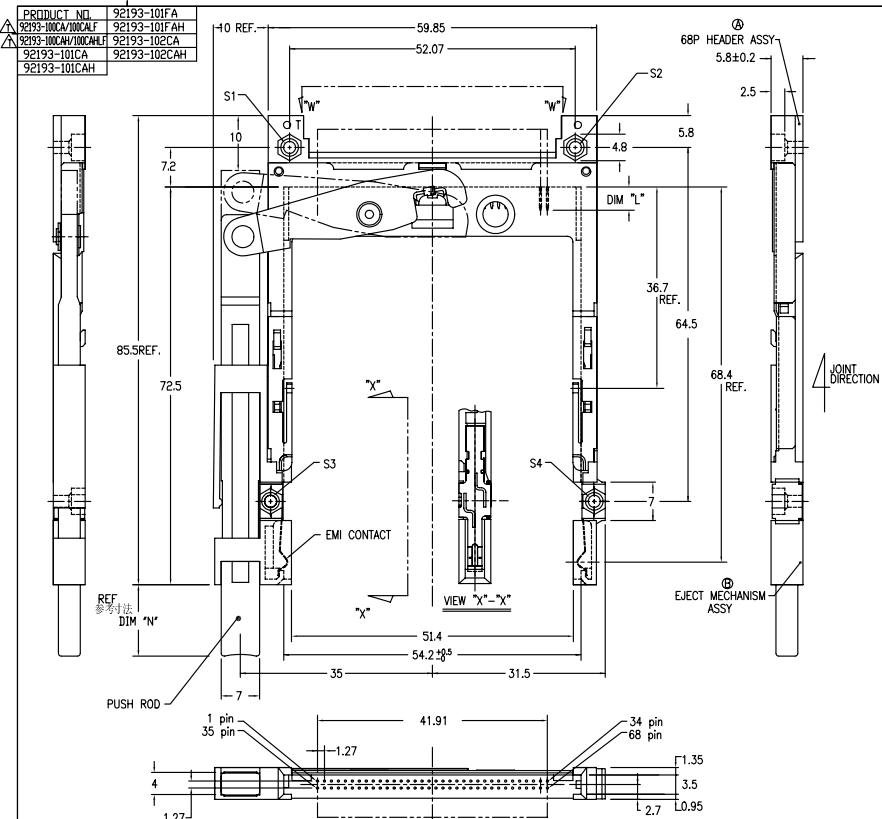
- NOTE
- EJECT FORCE 3.5Kg MAX.
 - ASSY PROCESS
2.1 TO MOUNT PART ④ ON PWB WITH SCREW (S1,S2) AND SOLDER
2.2 TO JOINT PART ⑤ INTO PART ④ THEN FIX PART ④ WITH 2 SCREWS (S3,S4).
 - EJECT TRAVEL 8.0mm
 - MATERIAL
④ PART ④ (HEADER ASSY)
HOUSING : LCP UL94V-0
PIN : PHOSPHOR BRONZE
④.2 PART ⑤ (EJECT MECHANISM ASSY)
GUIDE : POLYPHTHALAMID UL94V-0 BLACK
PUSH ROD : FLAME RETARDANT UL94V-0
PLATE : STAINLESS
EMI CONTACT : PHOSPHOR BRONZE
STANDOFF : ZINC ALLOYS DIE CASTING
 - FINISH
5.1 PIN
UNDER PLATING : 0.5µm MIN. Ni
CONTACT AREA : 0.1µm MIN. Au OVER 0.5µm MIN. Pd-Ni
SOLDER TAIL : 2.5µm MIN. Sn-Pb
OR 2.5µm MIN. PURE Sn.(FOR -*****LF)
5.2 EMI CONTACT
UNDER PLATING : 2.0µm MIN. Ni
CONTACT AREA : 0.5µm MIN. Au
5.3 STAND OFF : 3 ~5µm Ni, OVER 5 ~10µm Cu.
 - PIN NO.
- | | | DIM "L" | |
|---------|--------|---------|------------|
| PIN No. | OTHERS | 3,5±0.1 | 5,0±0.1 |
| | | 36.67 | 35.51±0.08 |
- SEE TA-946 FOR PCB LAYOUT.
 - SEE 92140 FOR DETAILED HDR DIMENSION.
 - SEE SHEET1,2 REGARDING COMPONENTS.
 - GENERAL TOLERANCE : ±0.3.

DF-003A REV C

DO NOT SCALE PRINT THIS INFORMATION IS CONFIDENTIAL AND IS DISCLOSED TO YOU ON CONDITION THAT NO FURTHER DISCLOSURE IS MADE BY YOU TO OTHER THAN BENG PERSONNEL WITHOUT WRITTEN AUTHORIZATION FROM BENG ELECTRONICS JAPAN K.K.

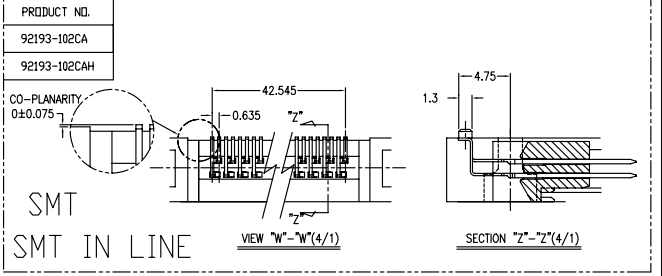
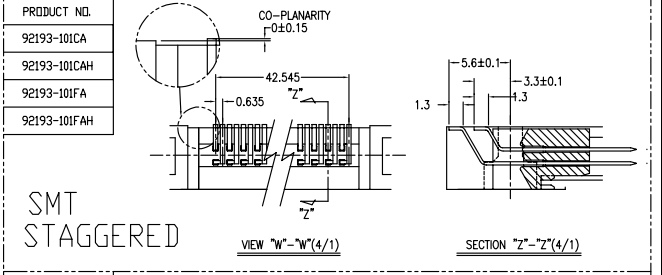
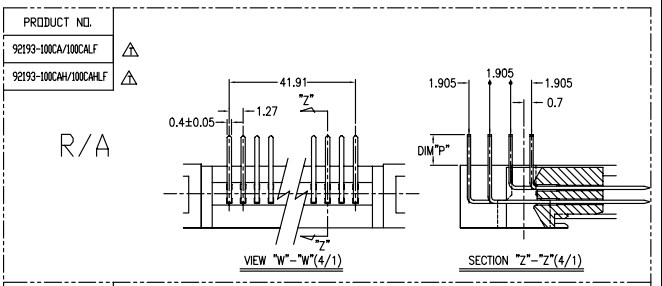
SHEET INDEX	ISSUE	DATE	CUSTOMER	TITLE	SCALE	SIZE	DWG. NO.	REV	SHEET
	SH NO.		COPY	68P EJECTOR HEADER ASSY FOR TYPE I/II/III (FOR 5.0V)	2/1	C	92193	V	4 of
TOLERANCES UNLESS OTHERWISE SPECIFIED		MAT	DR	DATE					
SEE NOTE ④		ENGR	T.DINO	8/8/97					
FINISH		CHK	K.SUZUKI	8/8/97					
SEE NOTE ⑤		APPD							
ANGLES									

PDM: Rev:V STATUS:Released Printed: Oct 12, 2010



REVISED (ADDED -*****LF)		WS-0127	WS	J	05/18/95
T	REVISED				
U					
V					

REVISIONS				
REV	DESCRIPTION	ECN	BY	DATE
E	REVISED	J40198	M.K	7/19/94
F	REVISED	I32120	M.K	2/27/94
G	REVISED	J40349	M.K	1/9/95
H	REVISED	J50242	M.K	6/18/95
J	REVISED	J70134	K.S	8/8/97



- NOTE
- EJECT FORCE 3.5Kg MAX.
 - ASSY PROCESS
2.1 TO MOUNT PART ① ON PWB WITH SCREW (S1,S2) AND SOLDER.
2.2 TO JOINT PART ② INTO PART ①, THEN FIX PART ② WITH 2 SCREWS (S3,S4).
 - EJECT TRAVEL 8.0mm
- ④ MATERIAL
- PART ① (HEADER ASSY)
HOUSING : LCP UL94V-0
PIN : PHOSPHOR BRONZE
 - PART ② (EJECT MECHANISM ASSY)
GUIDE : POLYPHTHALAMID UL94V-0 BLACK
PUSH ROD : FLAME RETARDANT UL94V-0
PLATE : STAINLESS
EMI CONTACT : PHOSPHOR BRONZE
4.3 OPTIONAL HOLD-DOWN : BRASS
- ⑤ FINISH 5.1 PIN
- UNDER PLATING : 0.5µm MIN. Ni
CONTACT AREA : 0.1µm MIN. Au OVER 0.5µm MIN. Pd-Ni
SOLDER TAIL : 2.5µm MIN. Sn-Pb OR 2.5µm MIN. PURE Sn.(FOR -*****LF)
- 5.2 EMI CONTACT
UNDER PLATING : 2.0µm MIN. Ni
CONTACT AREA : 0.5µm MIN. Au
- 5.3 OPTIONAL HOLD-DOWN : 2.5µm MIN. PURE Sn
6. PIN NO.
- | PIN No. | DIM "mm" | | |
|---------|----------|---------|---------|
| | 4.25±0.1 | 3.5±0.1 | 5.0±0.1 |
| OTHERS | 36.67 | 17.74 | 35±0.08 |
- SEE TA-946 FOR PCB LAYOUT.
 - SEE 92140 FOR DETAILED HDR DIMENSION.
 - SEE SHEET 1, 2 REGARDING COMPONENTS.
 - GENERAL TOLERANCE : ±0.3

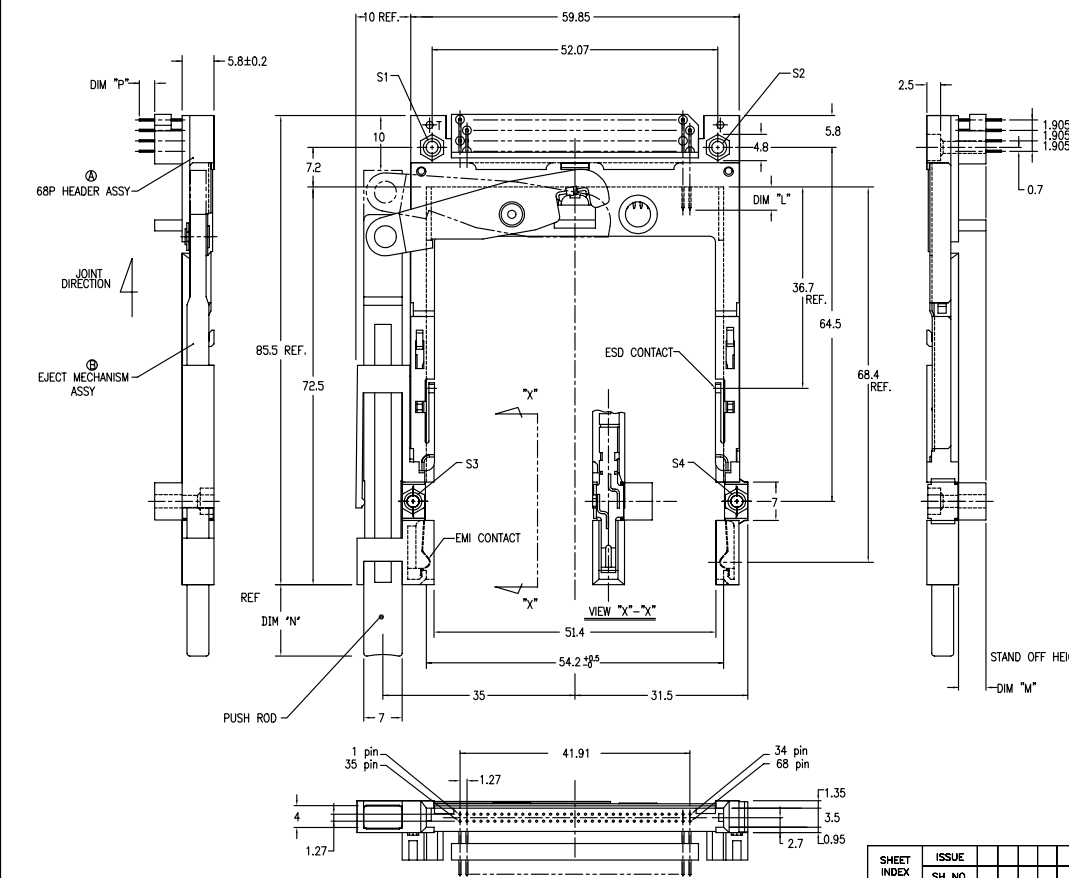
SHEET INDEX	ISSUE	SH NO.	DATE	CUSTOMER	TITLE
					68P EJECTOR HEADER ASSY FOR TYPE 1/1/1 (FOR 5.0V)

LINEAR	FINISH	SEE NOTE	CHK	DATE	UNIT	SCALE	SIZE	DWG. NO.	REV	SHEET
		①	K.SUZUKI	8/8/97	mm	2/1	C	92193	V	5 OF

PDM: Rev:V STATUS Released Printed: Oct 12, 2010

PRODUCT NO.
92193-120CA/120CAHLF
92193-120FA/120FALF
92193-130CA/130CALF
92193-130CAH/130CAHLF
92193-140CA/140CALF
92193-150CA/150CALF

REVISIONS				
REV	DESCRIPTION	ECN	BY	DATE
A	RELEASED	J33022	N.T	0/19/93
B	REVISED	J40163	M.K	5/25/94
C	REVISED	V40840	M.K	7/ 5/94
D	REVISED	V32120	M.K	12/27/94
E	REVISED	J40349	M.K	1/9/95
F	REVISED	J50242	M.K	9/18/95
G	REVISED ADDED-130CA -130CAH	J70134	K.S	8/8/97
H	REVISED	N80076	M.K	7/22/99
T	REVISED ADDED -*****F	M5-0127	MB	05/18/05
U				
V				



- NOTE
- EJECT FORCE 3.5Kg MAX.
 - ASSY PROCESS
 - TO MOUNT PART ① ON PWB WITH SCREW (S1,S2) AND SOLDER
 - TO JOINT PART ② INTO PART ①, THEN FIX PART ③ WITH 2 SCREWS (S3,S4).
 - EJECT TRAVEL 8.0mm
 - MATERIAL
 - PART ① (HEADER ASSY)
 - HOUSING : LCP UL94V-0
 - PIN : PHOSPHOR BRONZE
 - PART ② (EJECT MECHANISM ASSY)
 - GUIDE : POLYPHTHALAMID UL94V-0 BLACK
 - PUSH ROD : FLAME RETARDANT UL94V-0
 - PLATE : STAINLESS
 - EMI CONTACT : PHOSPHOR BRONZE
 - STANDOFF : ZINC ALLOYS DIE CASTING
 - FINISH
 - PIN
 - UNDER PLATING : 0.5µm MIN. Ni
 - CONTACT AREA : 0.1µm MIN. Au OVER 0.5µm MIN. Pd-Ni
 - SOLDER TAIL : 2.5µm MIN. Sn-Pb
 - OR 2.5µm MIN. PURE Sn.(FOR -*****LF)
 - EMI CONTACT
 - UNDER PLATING : 2.0µm MIN. Ni
 - CONTACT AREA : 0.5µm MIN. Au
 - STAND OFF : 3 ~5µm Ni, OVER 5 ~10µm Cu.
 - PIN NO.

DF-003A REV. C

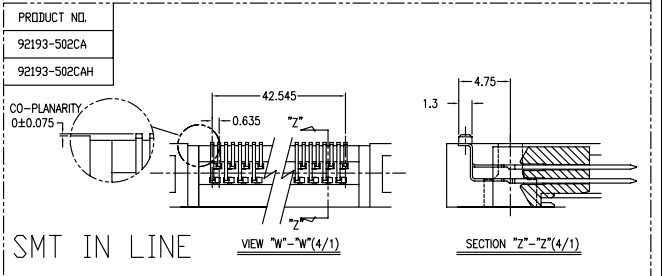
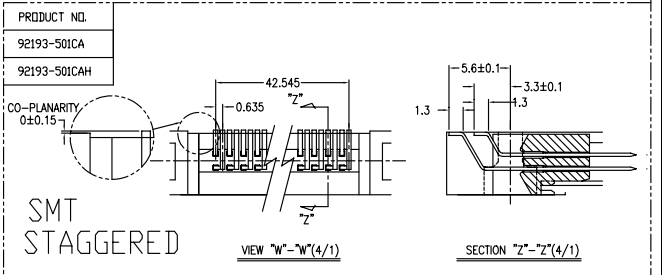
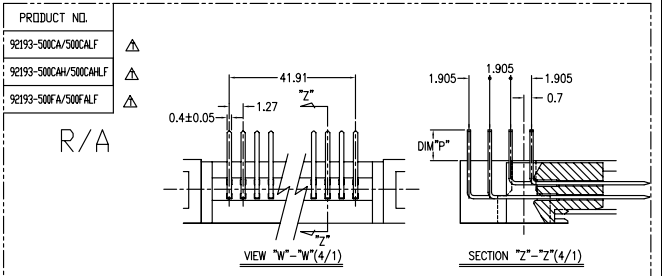
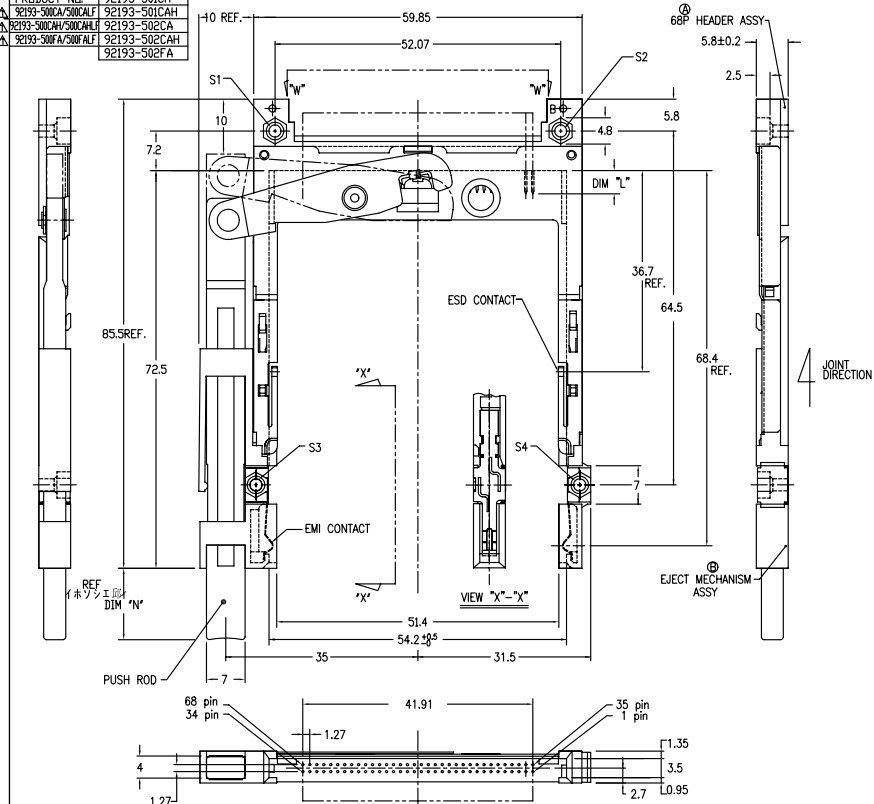
DO NOT SCALE PRINT THIS INFORMATION IS CONFIDENTIAL AND IS DISCLOSED TO YOU ON CONDITION THAT NO FURTHER DISCLOSURE IS MADE BY YOU TO OTHER THAN BIRD PERSONNEL WITHOUT WRITTEN AUTHORIZATION FROM BIRD ELECTRONICS JAPAN K.K.

SHEET INDEX	ISSUE	SH. NO.	DATE	CUSTOMER COPY	TITLE
			DATE		68P EJECTOR HEADER ASSY FOR TYPE 1/L// (FOR 5.0V)
	TOLERANCES UNLESS OTHERWISE SPECIFIED		DATE		
	SEE NOTE ①	CHK	M. Hasegawa		
	FINISH	CHK	M. Ka. Iwano		
	SEE NOTE ②	APPD			
	UNIT				
	SCALE	SIZE	DWG. NO.	REV	SHEET
			92193	V	6 OF



PRODUCT NO.	92193-501CA
△ 92193-500CA/500CALF	92193-501CAH
△ 92193-500CAH/500CAHLF	92193-502CA
△ 92193-500FA/500FALF	92193-502CAH
	92193-502FA

REVISIONS			
REV	DESCRIPTION	ECN	BY DATE
J	REVISED	V68956	M.K. 11/29/99
H	REVISED	V32120	M.K. 12/27/94
G	REVISED	J40349	M.K. 1/9/95
F	REVISED	J50242	M.K. 6/18/95
E	REVISED	V68956	M.K. 7/29/96
D	REVISED	J70134	K.S. 8/8/97



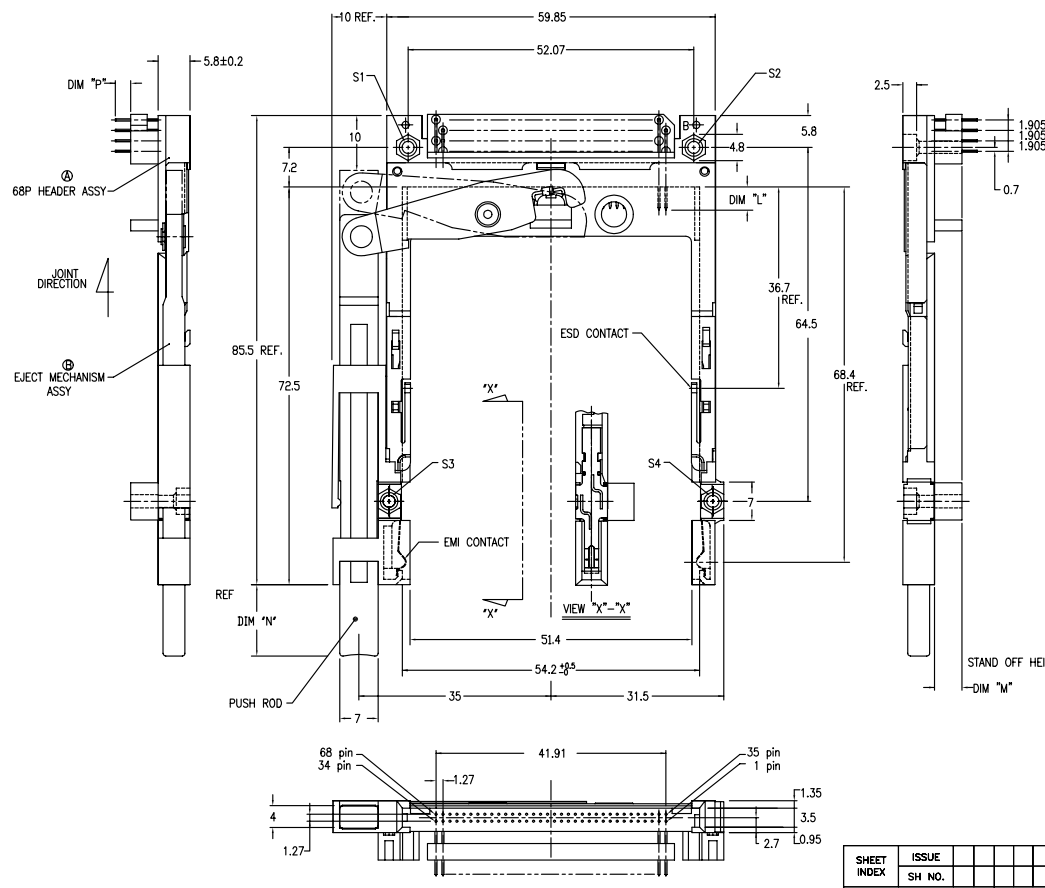
- NOTE
- EJECT FORCE 3.5kg MAX.
 - ASSY PROCESS
 - TO MOUNT PART ④ ON PWB WITH SCREW (S1,S2) AND SOLDER.
 - TO JOINT PART ④ INTO PART ④, THEN FIX PART ④ WITH 2 SCREWS (S3,S4).
 - EJECT TRAVEL 8.0mm
- ④ MATERIAL
- PART ④ (HEADER ASSY)
 - HOUSING : LCP UL94V-0
 - PIN : PHOSPHOR BRONZE
 - PART ④ (EJECT MECHANISM ASSY)
 - GUIDE : POLYPHTHALAMID UL94V-0 BLACK
 - PUSH ROD : FLAME RETARDANT UL94V-0
 - PLATE : STAINLESS
 - EMI CONTACT : PHOSPHOR BRONZE
 - OPTIONAL HOLD-DOWN : BRASS
- ⑤ FINISH
- 5.1 PIN
 - UNDER PLATING : 0.5µm MIN. Ni
 - CONTACT AREA : 0.1µm MIN. Au OVER 0.5µm MIN. Pd-Ni
 - SOLDER TAIL : 2.5µm MIN. Sn-Pb OR 2.5µm MIN. PURE Sn (FOR -*****LF)
 - 5.2 EMI CONTACT
 - UNDER PLATING : 2.0µm MIN. Ni
 - CONTACT AREA : 0.5µm MIN. Au
 - 5.3 OPTIONAL HOLD-DOWN : 2.5µm MIN. PURE Sn
6. PIN NO.
- | | DIM "L" | |
|---------|----------|----------|
| PIN No. | 4.25±0.1 | 3.5±0.1 |
| OTHERS | 36.67 | 35.51.68 |
- SEE TA-946 FOR PCB LAYOUT.
 - SEE 92140 FOR DETAILED HDR DIMENSION.
 - SEE SHEET 2 REGARDING COMPONENTS.
 - GENERAL TOLERANCE : ±0.3.

SHEET INDEX	ISSUE SH NO.	MAT	DR	CHK	APPD	DATE	CUSTOMER COPY	TITLE
			T. Uno	M. K. Kurai		11/11/99		68P EJECTOR HEADER ASSY FOR TYPE I/II/III (FOR 5.0V)
								SCALE: SIZE DWG. NO. 92193
								REV SHEET 2/1 C 17 of

PDM: Rev:V STATUS Released Printed: Oct 12, 2010

PRODUCT NO.	
92193-520CA/520CALF	△
92193-540CA/540CALF	△
92193-550CA/550CALF	△

REVISIONS				
REV	DESCRIPTION	ECN	BY	DATE
A	RELEASED	J30022	N.T.	01/19/93
B	REVISED	J30128	M.N.	02/27/93
C	REVISED	J40163	M.K.	5/26/94
D	REVISED	V40840	M.K.	7/5/94
E	REVISED	V32120	M.K.	12/27/94
F	REVISED	J40349	M.K.	1/9/94
G	REVISED	J50242	M.K.	8/18/95
T	REVISED (ADDED -*****LF)	N65-0127	W6.	3/25/18/95
U				
V				



- NOTE
- EJECT FORCE 3.5Kg MAX.
 - ASSY PROCESS
 - TO MOUNT PART ① ON PWB WITH SCREW (S1,S2) AND SOLDER.
 - TO JOINT PART ② INTO PART ③, THEN FIX PART ④ WITH 2 SCREWS (S3,S4)
 - EJECT TRAVEL 8.0mm
 - MATERIAL
 - PART ① (HEADER ASSY)
 - HOUSING : LCP UL94V-0
 - PIN : PHOSPHOR BRONZE
 - PART ② (EJECT MECHANISM ASSY)
 - GUIDE : POLYPHTHARAMID UL94V-0 BLACK
 - PUSH ROD : FLAME RETARDANT UL94V-0
 - PLATE : STAINLESS
 - EMI CONTACT : PHOSPHOR BRONZE
 - STANDOFF : ZINC ALLOYS DIE CASTING
 - FINISH
 - PIN
 - UNDER PLATING : 0.5µm MIN. Ni
 - CONTACT AREA : 0.1µm MIN. Au OVER 0.5µm MIN. Pd-Ni
 - SOLDER TAIL : 2.5µm MIN. Sn-Pb OR 2.5µm MIN. PURE Sn.(FOR -*****LF)
 - EMI CONTACT
 - UNDER PLATING : 2.0µm MIN. Ni
 - CONTACT AREA : 0.5µm MIN. Au
 - STAND OFF : 3 ~ 5µm Ni OVER 5 ~ 10µm Cu.
 - PIN NO.

PIN NO.	DIM "M"	
	4.25±0.1	5.0±0.1
OTHERS	36.67	17.94
		35.5±0.08

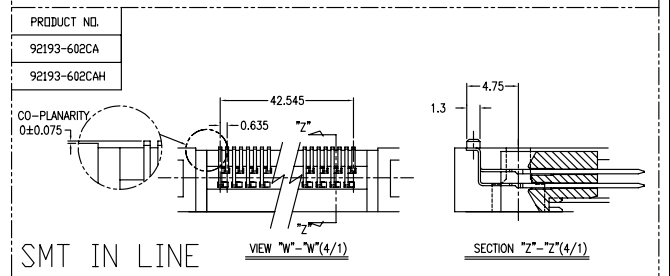
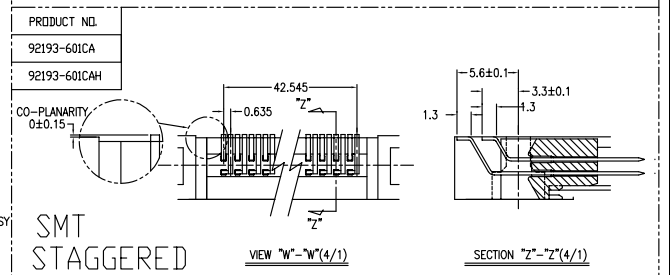
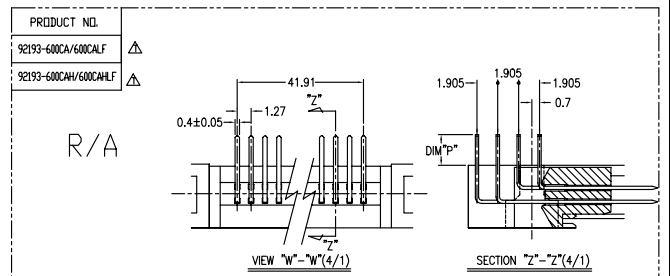
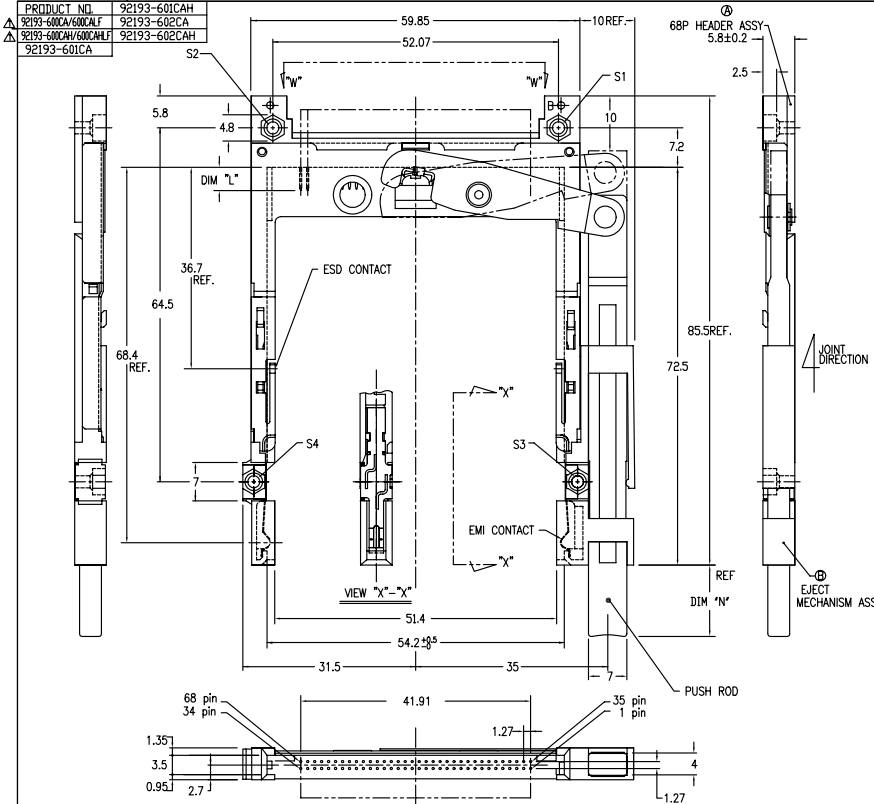
STAND OFF HEIGHT 7. SEE TA-946 FOR PCB LAYOUT.
 8. SEE 92140 FOR DETAILED HDR DIMENSION.
 9. SEE SHEET 1,2 REGARDING COMPONENTS.
 10. GENERAL TOLERANCE : ±0.3.

DO NOT SCALE PRINT THIS INFORMATION IS CONFIDENTIAL AND IS DISCLOSED TO YOU ON CONDITION THAT NO FURTHER DISCLOSURE IS MADE BY YOU TO OTHER THAN BENG PERSONNEL WITHOUT WRITTEN AUTHORIZATION FROM BENG ELECTRONICS JAPAN K.K.

SHEET INDEX	ISSUE	DATE	CUSTOMER	TITLE
	SH NO.			68P EJECTOR HEADER ASSY FOR TYPE I/II/III (FOR 5.0V)
TOLERANCES UNLESS OTHERWISE SPECIFIED	MAT	DR T. Imaeda	DATE 9/19/95	COPY
LINEAR	FINISH	CHK M. Ka. Iwata	DATE 9/19/95	THRO ANGLE PRO
		APPD		UNIT mm
ANGLES				SCALE 2/1
				DWG. NO. 92193
				REV SHEET 8 of 8

PRODUCT NO.	92193-601CAH
92193-600CA/600CALF	92193-602CA
92193-600WH/600CHLF	92193-602CAH
92193-601CA	

T		REVISED (ADDED -*****LF)		WS-0127	WS	05/18/95
REV	DESCRIPTION	ECN	BY	DATE		
D	REVISED	140340	M.K.I	5/94		
E	REVISED	132120	M.K.I	2/27/94		
F	REVISED	140349	M.K.I	9/95		
G	REVISED	150242	M.K.I	9/95		
H	REVISED	170134	K.S	8/97		



- NOTE
- EJECT FORCE 3.5Kg MAX.
 - ASSY PROCESS
 - TO MOUNT PART ④ ON PWB WITH SCREW (S1,S2) AND SOLDER.
 - TO JOINT PART ⑤ INTO PART ④, THEN FIX PART ⑥ WITH 2 SCREWS (S3,S4).
 - EJECT TRAVEL 8.0mm
- ④ MATERIAL
- PART ④ (HEADER ASSY)
 - HOUSING : LCP UL94V-0
 - PIN : PHOSPHOR BRONZE
 - PART ⑤ (EJECT MECHANISM ASSY)
 - GUIDE : POLYPHTHARAMID UL94V-0 BLACK
 - PUSH ROD : FLAME RETARDANT UL94V-0
 - PLATE : STAINLESS
 - EMI CONTACT : PHOSPHOR BRONZE
 - OPTIONAL HOLD-DOWN : BRASS
- ⑤ FINISH
- PIN
 - UNDER PLATING : 0.5µm MIN. Ni
 - CONTACT AREA : 0.1µm MIN. Au OVER 0.5µm MIN. Pd-Ni
 - SOLDER TAIL : 2.5µm MIN. Sn-Pb OR 2.5µm MIN. PURE Sn, (FOR -*****LF)
 - EMI CONTACT
 - UNDER PLATING : 2.0µm MIN. Ni
 - CONTACT AREA : 0.5µm MIN. Au
 - OPTIONAL HOLD-DOWN : 2.5µm MIN. PURE Sn
6. PIN NO.
- | | DIM 'L' | | |
|---------|----------|---------|------------|
| PIN NO. | OTHERS | 36,67 | 35,67 |
| | 4.25±0.1 | 3.5±0.1 | 5.0±0.1 |
| | | 17.95 | 35.67±0.08 |
- SEE TA-946 FOR PCB LAYOUT.
 - SEE 92140 FOR DETAILED HDR DIMENSION.
 - SEE SHEET 1,2 REGARDING COMPONENTS.
 - GENERAL TOLERANCE : ±0.3

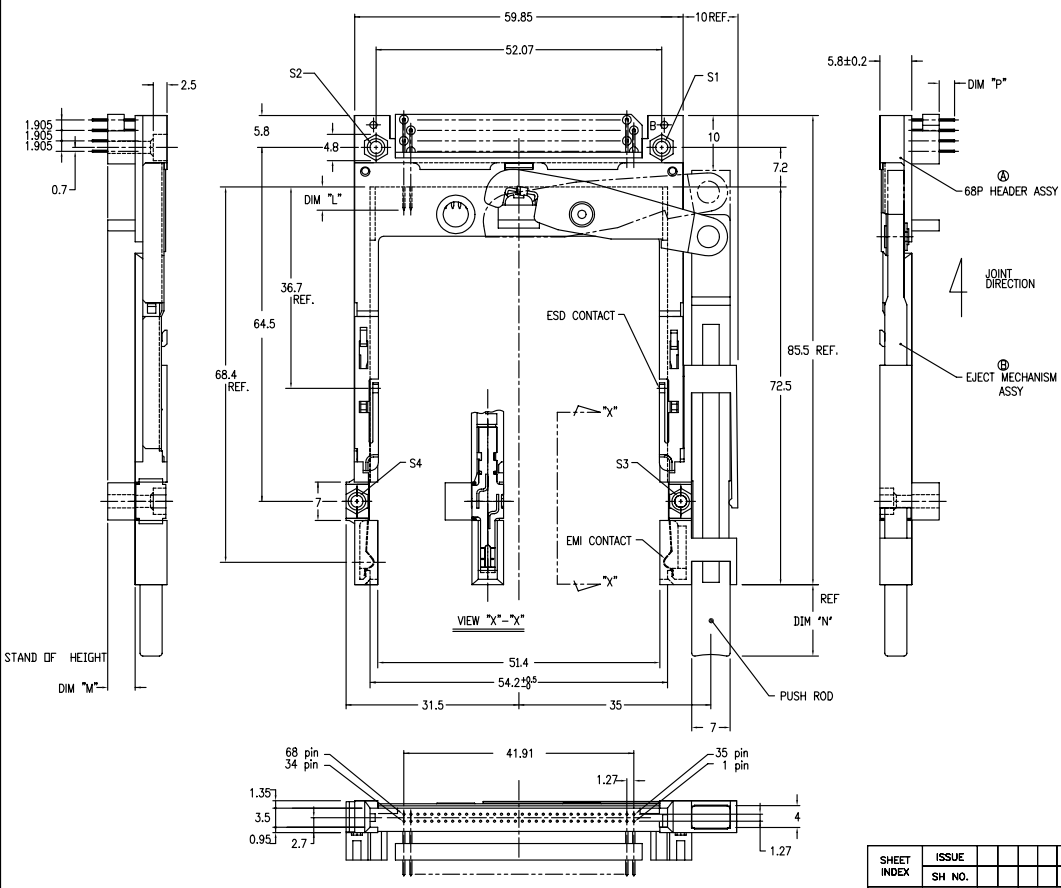
SHEET INDEX	ISSUE	DATE	CUSTOMER	TITLE
				68P EJECTOR HEADER ASSY FOR TYPE I/II/III (FOR 5.0V)
				SCALE: SIZE DWG. NO. 92193
				REV SHEET 9 OF 9

DO NOT SCALE PRINT THIS INFORMATION IS CONFIDENTIAL AND IS DISCLOSED TO YOU ON CONDITION THAT NO FURTHER DISCLOSURE IS MADE BY YOU TO OTHER THAN BENG PERSONNEL WITHOUT WRITTEN AUTHORIZATION FROM BENG ELECTRONICS JAPAN K.K.

PDM: Rev:V STATUS Released Printed: Oct 12, 2010

PRODUCT NO.
 Δ 92193-620CA/620CALF
 Δ 92193-640CA/640CALF
 Δ 92193-650CA/650CALF

REVISIONS				
REV	DESCRIPTION	ECN	BY	DATE
A	RELEASED	J30022	N.T	01/19/93
B	REVISED	J40163	M.K	5/28/94
C	REVISED	V40840	M.K	7/ 5/94
D	REVISED	V32120	M.K	12/21/94
E	REVISED	J40349	M.K	1/16/95
F	REVISED	J50242	M.K	9/18/95
T	REVISED (ADDED -*****LF)	M5-0127	MB	05/18/95
U				
V				



NOTE

- EJECT FORCE 3.5Kg MAX.
- ASSY PROCESS
 2.1 TO MOUNT PART ④ ON PWB WITH SCREW (S1,S2) AND SOLDER
 2.2 TO JOINT PART ⑤ INTO PART ④ THEN FIX PART ④ WITH 2 SCREWS (S3,S4).
- EJECT TRAVEL 8.0mm
- MATERIAL
 ④ MATERIAL ④ (HEADER ASSY)
 HOUSING : LCP UL94V-0
 PIN : PHOSPHOR BRONZE
 ④.2 PART ④ (EJECT MECHANISM ASSY)
 GUIDE : POLYPHTHARAMID UL94V-0 BLACK
 PUSH ROD : FLAME RETARDANT UL94V-0
 PLATE : STAINLESS
 EMI CONTACT : PHOSPHOR BRONZE
 STANDOFF : ZINC ALLOYS DIE CASTING
- FINISH
 5.1 PIN
 UNDER PLATING : 0.5μm MIN. Ni
 CONTACT AREA : 0.1μm MIN. Au OVER 0.5μm MIN. Pd-Ni
 SOLDER TAIL : 2.5μm MIN. Sn-Pb
 OR 2.5μm MIN. PURE Sn.(FOR -*****LF)
 5.2 EMI CONTACT
 UNDER PLATING : 2.0μm MIN. Ni
 CONTACT AREA : 0.5μm MIN. Au
 5.3 STAND OFF : 3 ~5μm MIN. OVER 5 ~10μm Cu.
- PIN NO.

	DIM 'L'	DIM 'M'	DIM 'N'
4.25±0.1	3.5±0.1	5.0±0.1	
PIN No.	36.67	33.57±0.08	

- SEE TA-946 FOR PCB LAYOUT.
- SEE 92140 FOR DETAILED HDR DIMENSION.
- SEE SHEET1,2 REGARDING COMPONENTS.
- GENERAL TOLERANCE : ±0.3

DF-003A REV. C
 DO NOT SCALE PRINT THIS INFORMATION IS CONFIDENTIAL AND IS DISCLOSED TO YOU ON CONDITION THAT NO FURTHER DISCLOSURE IS MADE BY YOU TO OTHER THAN BENG PERSONNEL WITHOUT WRITTEN AUTHORIZATION FROM BENG ELECTRONICS JAPAN K.K.

SHEET INDEX	ISSUE	SH NO.	DATE	CUSTOMER	TITLE
					68P EJECTOR HEADER ASSY FOR TYPE 1/L/II (FOR 5.0V)
LINEAR	FINISH	SEE NOTE ④	DR T. Imaeda CHK M.K. Iwata APPD	DATE 9/19/95 9/18/95	COPY THRU IMAGE COPY
ANGLES	SCALE	SIZE	DWG. NO.	REV	SHEET
	2/1	C	92193	V 10	04/0



PDM: Rev:V STATUS Released Printed: Oct 12, 2010