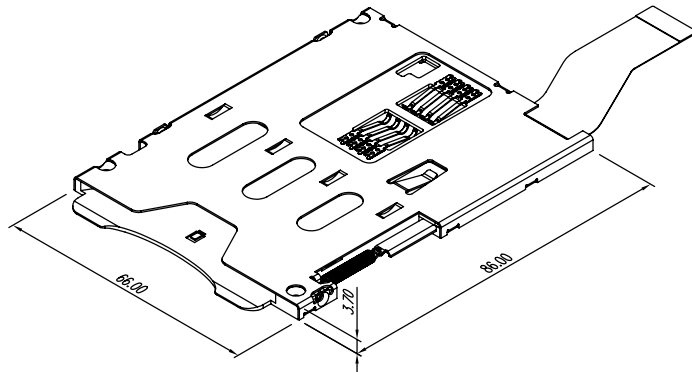


| PRODUCT NO. | APPEARANCE | COMPONENTS | FPC | EJECT | PACKAGING | MAIN BODY | REMARK |
|-----------------|------------|--------------|-------------------|-----------|-----------------|-----------|--------------|
| 55640-10101(LF) | BLUE | N/A | 52534-002(LF) | 55644-001 | 340391-001 | 55641-001 | |
| 55640-20301(LF) | BLUE | N/A | 10115336-001 | 55644-001 | 340391-101 | 55641-001 | |
| 55640-23201(LF) | BLUE | 10018024-001 | 52534-004(LF) | 55644-001 | 340391-201 | 55641-002 | |
| 55640-20201(LF) | BLUE | N/A | 52534-004(LF) | 55644-001 | 340391-201 | 55641-002 | |
| 55640-20202(LF) | BLUE | 10062236-001 | 52534-004(LF) | 55644-001 | 10062267-02-001 | 55641-002 | |
| 55640-23301(LF) | BLUE | 10018024-001 | 52534-006(LF) | 55644-001 | 340391-201 | 55641-002 | |
| 55640-20211(LF) | BLUE | N/A | 52534-004(LF) | 55644-002 | 340391-201 | 55641-003 | FOR MOTOROLA |
| 55640-30201(LF) | BLUE | N/A | 10093563-001<FFC> | 55644-002 | 340391-201 | 55641-002 | FOR MITAC |



NOTE :

- SMART CARD READER FOR LOWER PROFILE HEIGHT OF 3.6 mm.
- TOTAL CIRCUIT RESISTANCE PER ONE LOOP SHALL NOT EXCEED 200 MILLIOHMS.
- THE INSERTION & EJECTING FORCE < 650g.
- MATERIALS :
CONTACTS : COPPER ALLOY, GOLD OVER NICKEL ON CONTACT AREA.
HOUSING : THERMOPLASTIC POLYCARBONATE.
COVER : STAINLESS STEEL.
- ENVIRONMENT :
STORAGE TEMPERATURE : FROM -40°C TO 85°C.
OPERATION TEMPERATURE : FROM -20°C TO 70°C.
- ORDER DATAS : 55640-X X X X X LF
 - LEAD FREE OPTION
 - PACKAGING
 - EJECT
 - FPC SHAPE
 - CUSTOMIZED COMPONENTS OPTIONS
 - GUIDE PLATE
- 7.IF LEAD FREE P/N, GS-14-920 SHOULD BE APPLIED.
- 8.THIS PRODUCT MEETS EUROPEAN UNION DIRECTIVES AND OTHER COUNTRY REGULATIONS AS DESCRIBED IN GS-22-008.



Copyright FCI.

| rev | ecn no | dr | date |
|-----|----------|----|----------|
| J | N08-0158 | SH | 08/01/08 |
| K | N09-0283 | SH | 26/08/09 |
| L | N10-0227 | SH | 19/07/10 |
| - | - | - | - |
| - | - | - | - |
| - | - | - | - |
| - | - | - | - |

| | | | | | |
|--------------------|--------------|---------------------------------------|-----------------|--------------|-------------|
| www.fciconnect.com | | surface 6.4/ | tolerance std | projection | ← |
| | | ISD 1302 | ISD 406 ISD 110 | ⊕ | |
| | | TOLERANCES UNLESS OTHERWISE SPECIFIED | | size A4 | Scale 1.000 |
| Dr | A JUANG | 9/4/00 | ANGULAR | 0X ±0.3 | ECN |
| Eng | MINERVA WANG | 9/4/00 | LINEAR | 0XX ±0.15 | |
| Chr | JDESEPH HSIA | 9/4/00 | 0° ±2° | 0XXX ±0.05 | |
| Appr | JENN TSAD | 9/4/00 | Product family | Spec ref | |
| FCI | | title SMART PLUS B ASSEMBLY | | dwg no 55640 | Rev. L |
| catalog no | | CUSTOMER | | sheet 1 of 7 | |

3 PDM: Rev:L

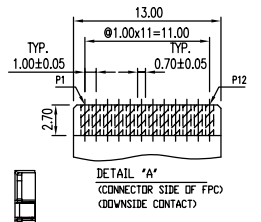
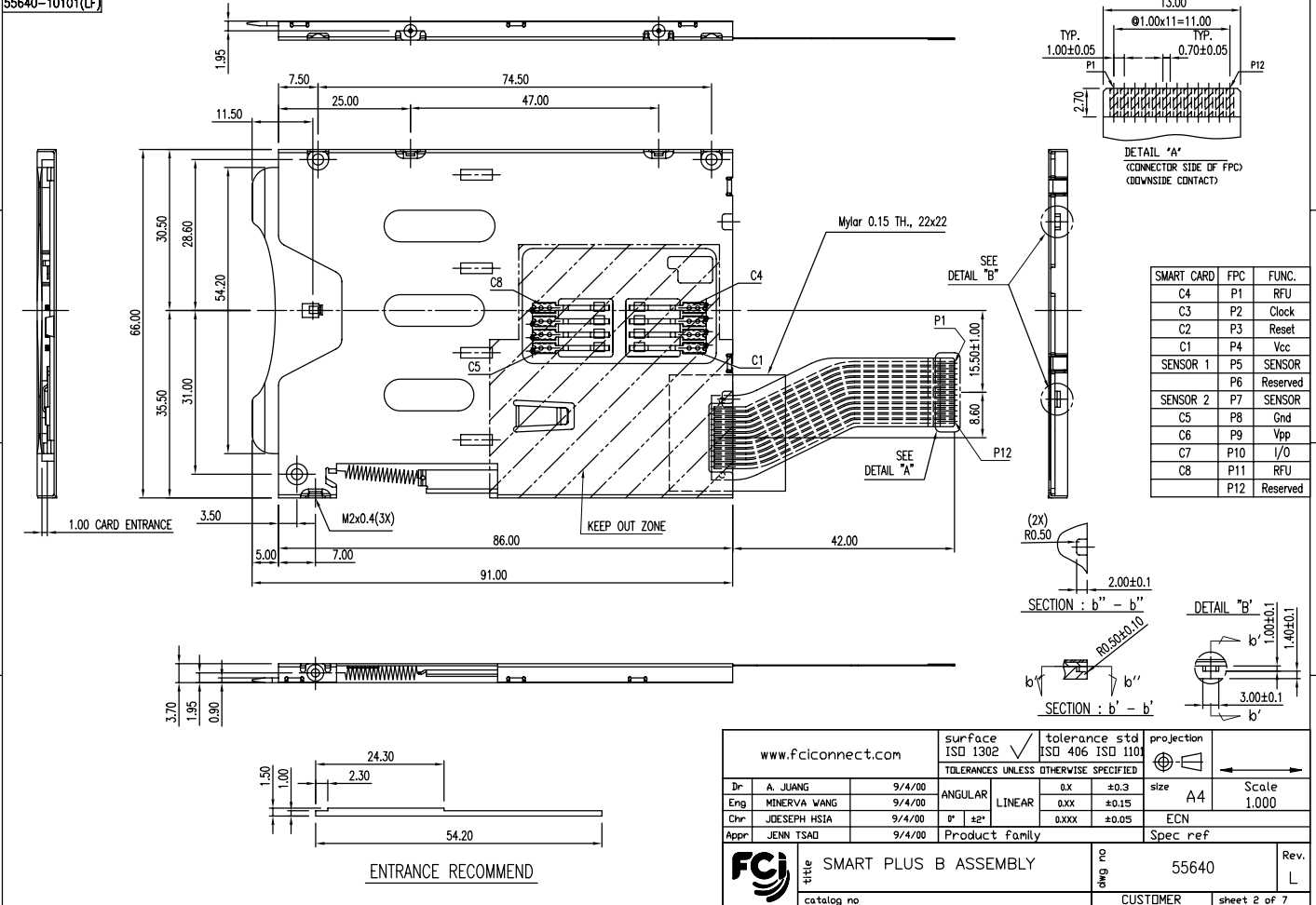
STATUS:Released

4 Printed: Aug 06, 2010

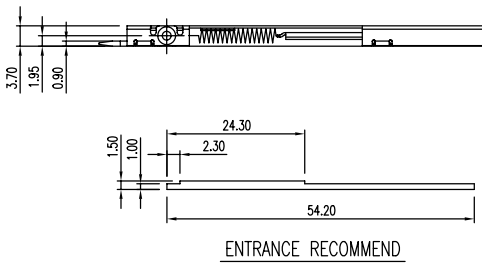
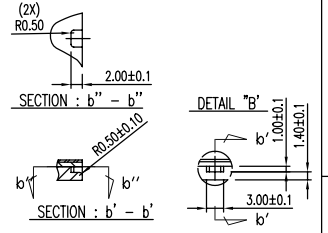


Copyright FCI.

PRODUCT NO.
55640-10101(LF)



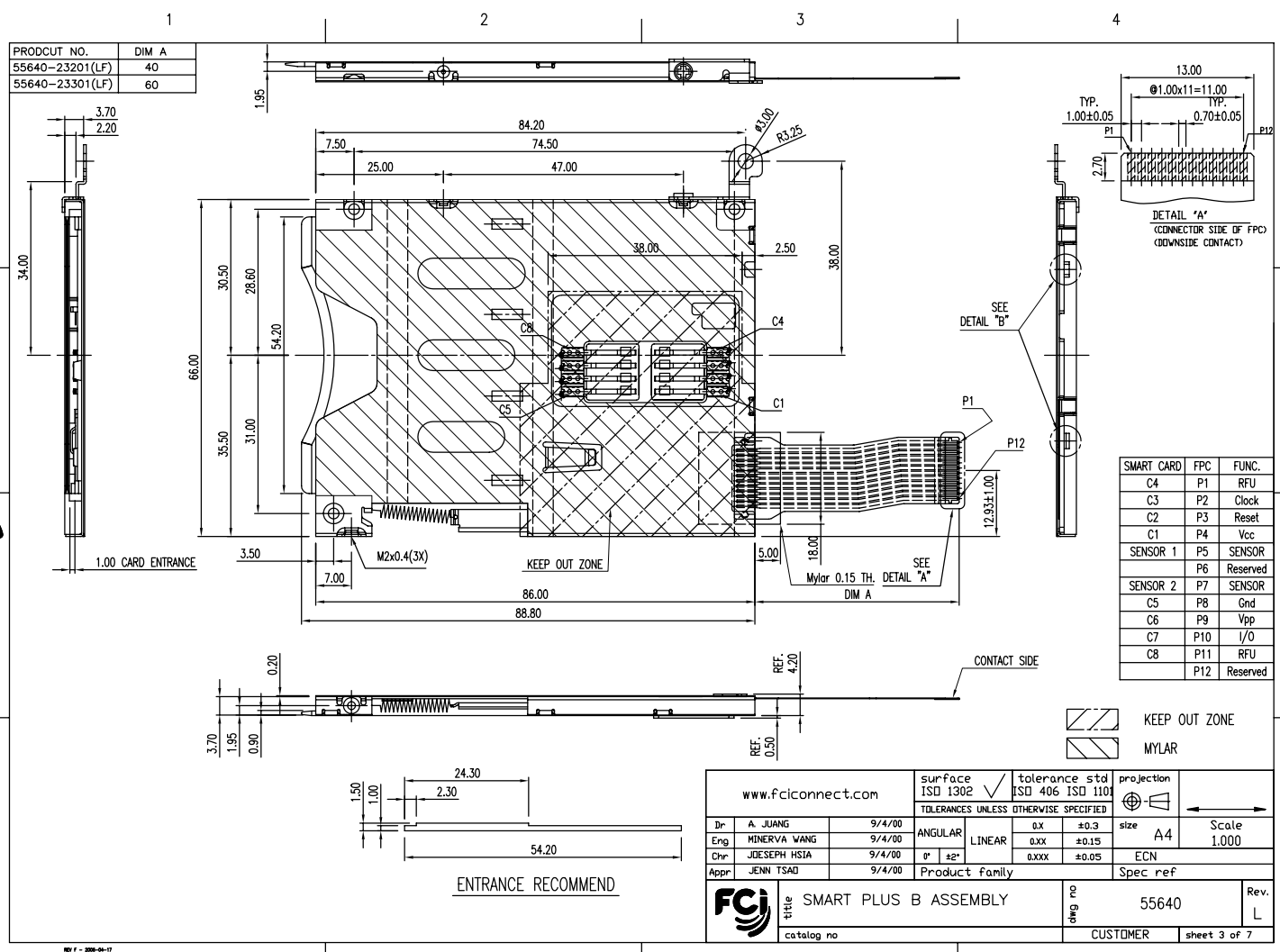
| SMART CARD | FPC | FUNC. |
|------------|-----|----------|
| C4 | P1 | RFU |
| C3 | P2 | Clock |
| C2 | P3 | Reset |
| C1 | P4 | Vcc |
| SENSOR 1 | P5 | SENSOR |
| | P6 | Reserved |
| SENSOR 2 | P7 | SENSOR |
| C5 | P8 | Gnd |
| C6 | P9 | Vpp |
| C7 | P10 | I/O |
| C8 | P11 | RFU |
| | P12 | Reserved |



| | | | | |
|---------------------------------|--------------|---------------------------------------|------------------|--------------|
| www.fciconnect.com | | surface | tolerance std | projection |
| | | ISO 1302 | ISO 406 ISO 1101 | |
| | | TOLERANCES UNLESS OTHERWISE SPECIFIED | | |
| Dr | A. JUANG | 9/4/00 | ANGULAR | size A4 |
| Eng | MINERVA WANG | 9/4/00 | LINEAR | Scale 1.000 |
| Chr | JOSEPH HSIA | 9/4/00 | 0° ±2° | ECN |
| Appr | JENN TSAD | 9/4/00 | Product family | Spec ref |
| FCI title SMART PLUS B ASSEMBLY | | ang no | 55640 | Rev. L |
| catalog no | | CUSTOMER | | sheet 2 of 7 |



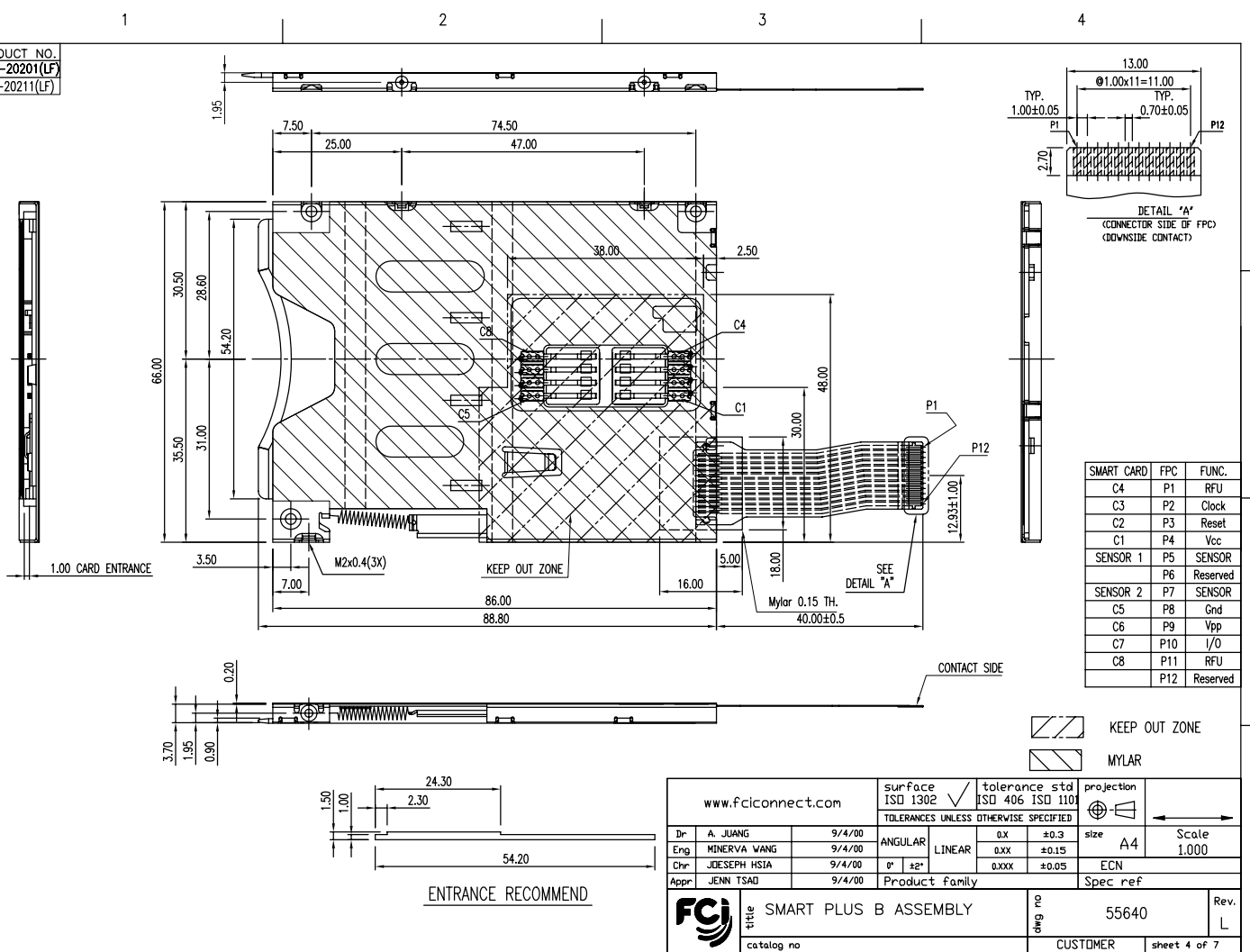
Copyright FCI





Copyright FCI.

PRODUCT NO.
55640-20201(LF)
55640-20211(LF)



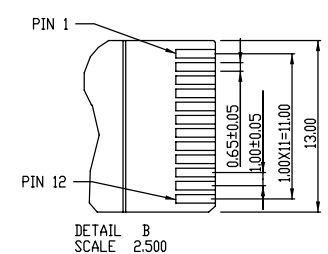
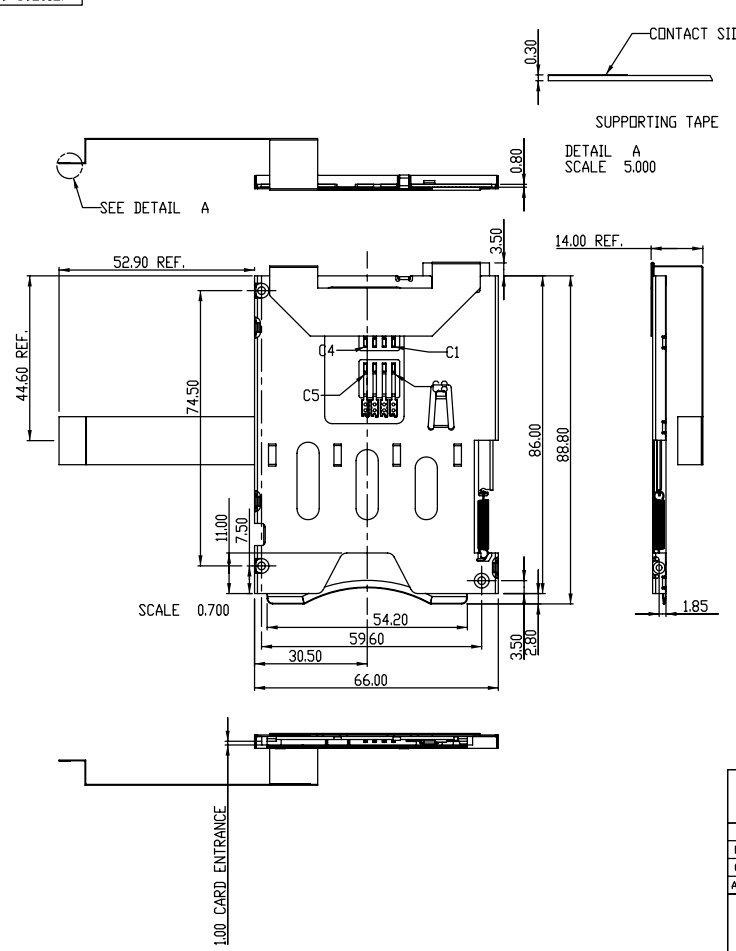
| SMART CARD | FPC | FUNC. |
|------------|-----|----------|
| C4 | P1 | RFU |
| C3 | P2 | Clock |
| C2 | P3 | Reset |
| C1 | P4 | Vcc |
| SENSOR 1 | P5 | SENSOR |
| | P6 | Reserved |
| SENSOR 2 | P7 | SENSOR |
| C5 | P8 | Gnd |
| C6 | P9 | Vpp |
| C7 | P10 | I/O |
| C8 | P11 | RFU |
| | P12 | Reserved |

KEEP OUT ZONE
MYLAR

| | | | | | |
|---------------------------------------|--------|------------------|-------------------------------|--------------|-------------|
| www.fciconnect.com | | surface ISD 1302 | tolerance std ISD 406 ISD 110 | projection | |
| TOLERANCES UNLESS OTHERWISE SPECIFIED | | ANGULAR | LINEAR | size A4 | Scale 1,000 |
| Dr A. JUANG | 9/4/00 | 0.X | ±0.3 | ECN | |
| Eng MINERVA WANG | 9/4/00 | 0.XX | ±0.15 | Spec ref | |
| Chr JOSEPH HSIA | 9/4/00 | 0.XXX | ±0.05 | | |
| Appr JENN TSAO | 9/4/00 | Product family | | | |
| FCI title SMART PLUS B ASSEMBLY | | drawing no 55640 | | Rev. L | |
| catalog no | | CUSTOMER | | sheet 4 of 7 | |

REV F - 2008-04-17

PRODUCT NO.
55640-30201LF



DETAIL A
SCALE 5.000

DETAIL B
SCALE 2.500

| SMART CARD | FFC | FUNC. |
|------------|-----|----------|
| C4 | P1 | RFU |
| C3 | P2 | CLOCK |
| C2 | P3 | RESET |
| C1 | P4 | VCC |
| SENSOR 1 | P5 | SENSOR |
| | P6 | Reserved |
| SENSPR 2 | P7 | SENSOR |
| C5 | P8 | GND |
| C6 | P9 | VPP |
| C7 | P10 | I/O |
| C8 | P11 | RFU |
| | P12 | Reserved |

| | | | | |
|-----------------------------|--------------|---------------------------------------|-----------------------------------|--------------|
| www.fciconnect.com | | surface ISO 1302 | tolerance std ISO 406 ISO 1101 | projection |
| | | TOLERANCES UNLESS OTHERWISE SPECIFIED | | ⊕ |
| Dr | A. JIANG | 9/4/00 | ANGULAR | 0X ±0.3 |
| Eng | MINERVA WANG | 9/4/00 | LINEAR | 0.XX ±0.15 |
| Chr | JOSEPH HSIA | 9/4/00 | 0° ±2° | 0.XXX ±0.05 |
| Appr | JENI TSAD | 9/4/00 | Product family | ECN |
| title SMART PLUS B ASSEMBLY | | | | Spec ref |
| catalog no | | ang no | 55640 | Rev. L |
| | | | CUSTOMER | sheet 6 of 7 |

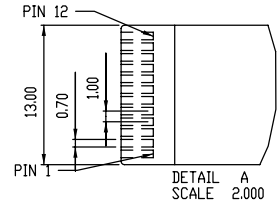
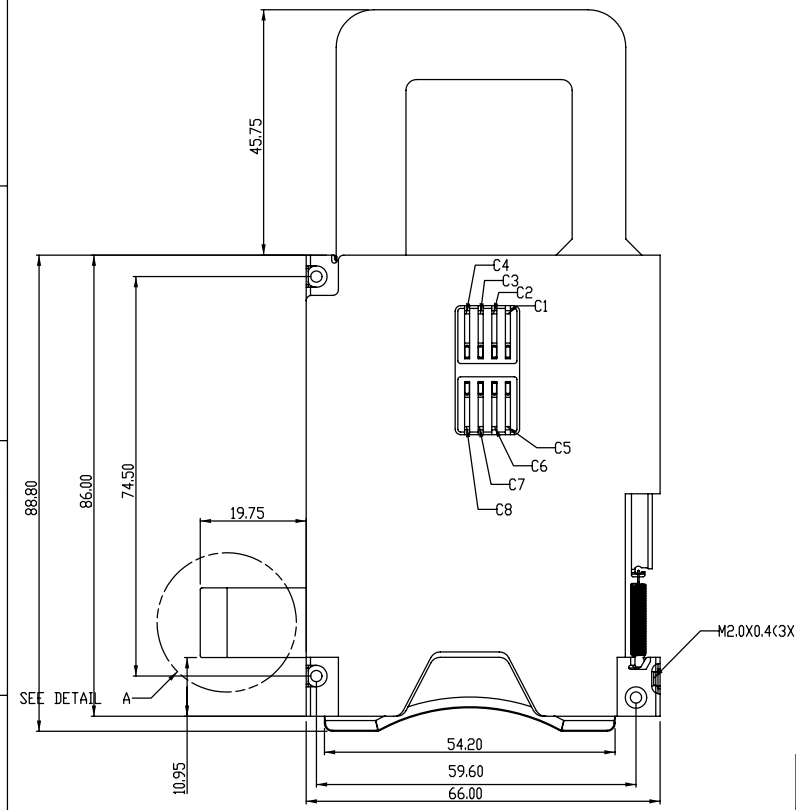


Copyright FCI.



Copyright FCI.

PRODUCT NUMBER
55640-20301LF



| SMART CARD | FPC | FUNC. |
|------------|-----|----------|
| C4 | P1 | RFU 4 |
| C3 | P2 | CLOCK |
| C2 | P3 | RESET |
| C1 | P4 | Vcc |
| SENSOR 1 | P5 | SENSOR |
| | P6 | RESERVED |
| SENSOR 2 | P7 | SENSOR |
| C5 | P8 | Gnd |
| C6 | P9 | Vpp |
| C7 | P10 | I/O |
| C8 | P11 | RFU 8 |
| | P12 | RESERVED |

NOTE:
 1. Material:
 METAL SHELL: STAINLESS STEEL, T=0.40mm
 PCB: FR-4, T=0.80mm
 TERMINAL: PHOSPHOR BRONZE.
 PLATING SPEC AS BELOW:
 ALL OVER NICKEL UNDERPLATING
 PURE TIN PLATING ON CONTACT SURFACE
 AND SOLDER TAIL.
 2. CARD DETECTION SWITCH NORMALLY OPEN WITHOUT MATING CARD

| | | | | | | |
|--------------------|--------------|------------|---------------------------------------|---------------|------------|-------------|
| www.fciconnect.com | | | surface | tolerance std | projection | |
| | | | TOLERANCES UNLESS OTHERWISE SPECIFIED | | ⊕ | ← |
| Dr | A. JUANG | 9/4/00 | ANGULAR | 0.X | ±0.3 | size A4 |
| Eng | MINERVA WANG | 9/4/00 | LINEAR | 0.XX | ±0.15 | Scale 1,000 |
| Chr | JOSEPH HSIA | 9/4/00 | 0" ±2" | 0.XXX | ±0.05 | ECN |
| Appr | JENN TSAO | 9/4/00 | Product family | - Spec ref | | |
| FCI | | title | SMART PLUS B ASSEMBLY | | chg no | 55640 |
| | | catalog no | - | | CUSTOMER | Rev. L |
| | | | | sheet 7 of 7 | | |

REV F - 000-04-17