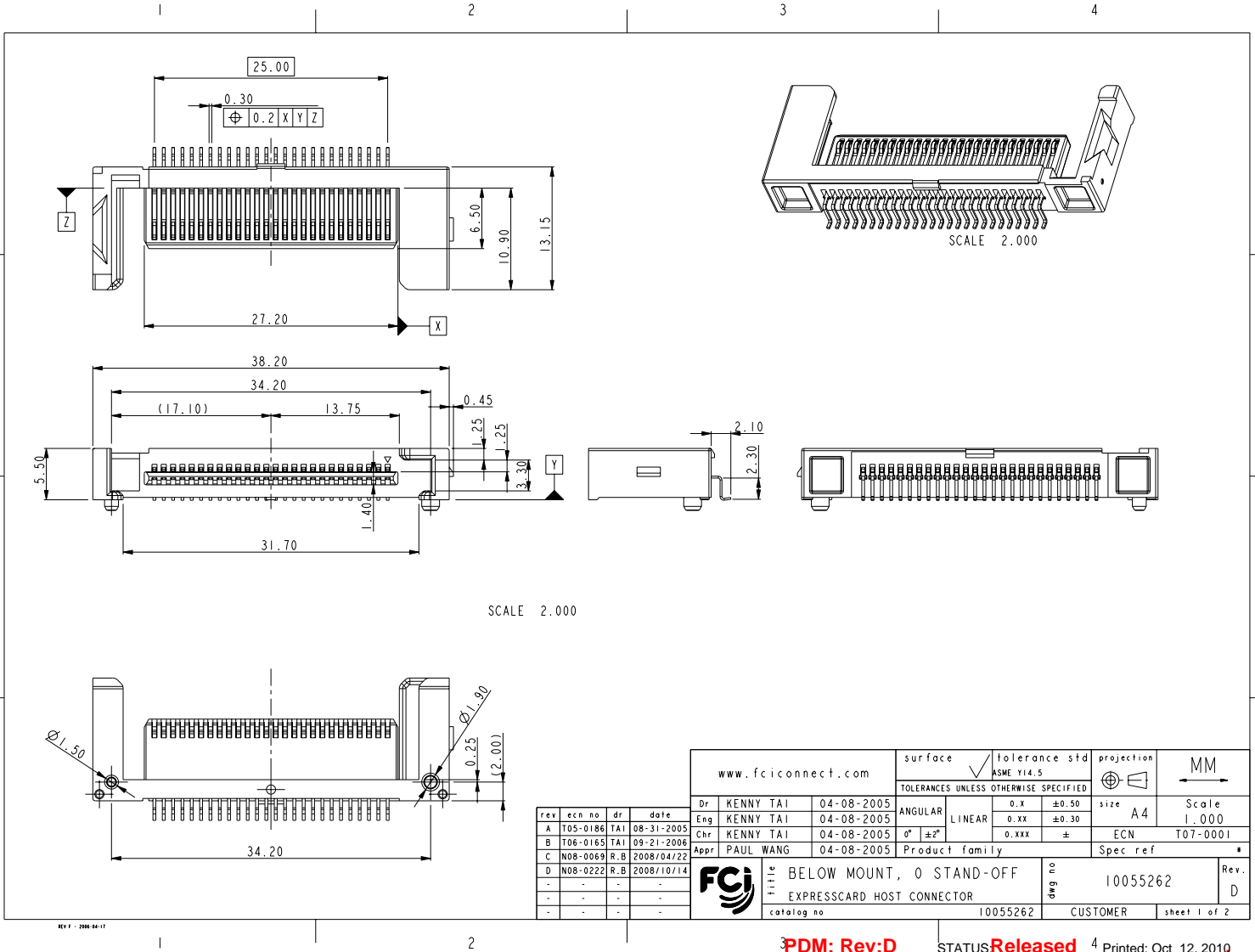




Copyright FCI.



SCALE 2.000

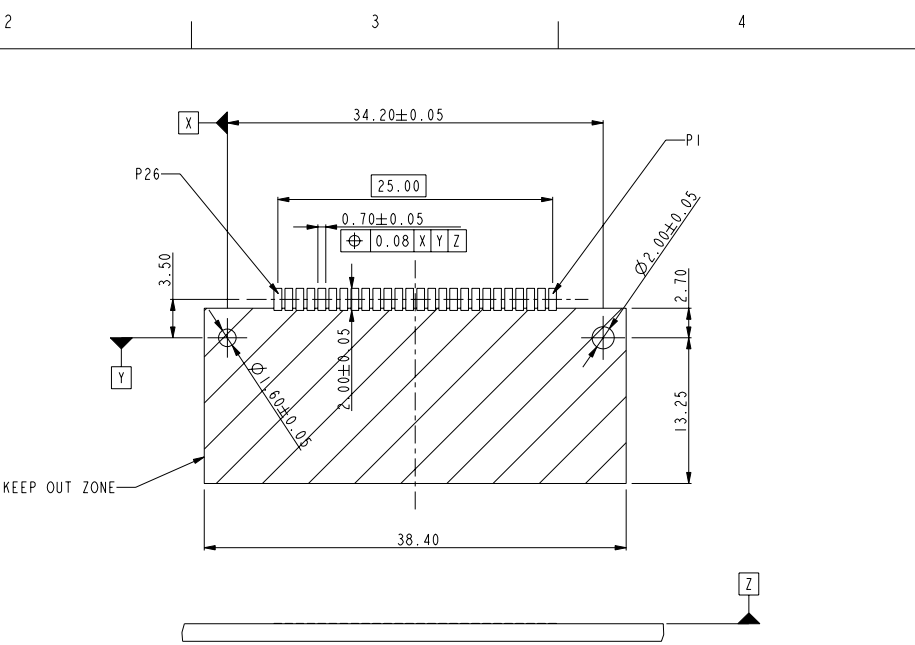
rev	ecn no	dr	date
A	105-0186	TAI	08-31-2005
B	106-0165	TAI	09-21-2006
C	N08-0069	R.B	2008/04/22
D	N08-0222	R.B	2008/10/14

www.fciconnect.com		surface	tolerance std	projection	MM
Dr KENNY TAI		✓	ASME Y14.5	⊕	Scale 1.000
Eng KENNY TAI		TOLERANCES UNLESS OTHERWISE SPECIFIED		size	ECN T07-0001
Chr KENNY TAI		ANGULAR	0.x ±0.50	A4	
Appr PAUL WANG		LINEAR	0.xx ±0.30		
		0° ±2°	0.xxx ±		
		Product family	Spec ref		
Title		BELOW MOUNT, 0 STAND-OFF EXPRESSCARD HOST CONNECTOR		eng no	10055262
catalog no		10055262		CUSTOMER	sheet 1 of 2

PDM: Rev:D STATUS Released 4 Printed: Oct 12, 2010



Copyright FCI.



RECOMMENDED PCB LAYOUT
(VIEW FROM MOUNTING SIDE)

SCALE 2.000

NOTES :

1. MATERIAL:
HOUSING: HIGH TEMPERATURE THERMOPLASTIC,
UL 94 V-0 FLAME RETARDANT.
TERMINAL: COPPER ALLOY.
PLATING SPEC. AS BELOW :
Ni 50u" UNDER PLATED.
Au OR GXT OVER CONTACT AREA. (ONE SIDE)
Tin 120u" OVER SOLDERING AREA.
2. PACKING SPEC. GS-14-924.
3. PRODUCT PERFORMANCE PER SPEC. GS-12-285.
4. PART NUMBER SCHEME: (EX. 10055262-100BBSLF)
10055262-X XX X X XLF (LEAD FREE)

SPEC.	OPTION (CODE)		
PACKING	TRAY (S)	TAPE & REEL (T)	TUBE (P)
HSG COLOR	BLACK (B)	NATURE (N)	
MOUNT SIDE	BELOW (B)		
STAND-OFF	0 (00)		
PLATING	GOLD 30u" (1)	GXT 30u" (2)	
		GXT 15u" (4)	

5. RoHS COMPATIBLE PRODUCT SPECIFICATIONS

- a- PLATING:
-"LF" MEANS THE PRODUCT IS LEAD-FREE, 2micro-meter MINIMUM MATTE TIN OVER 1.27micro-meter MINIMUM NICKEL UNDERPLATE.
- b- MANUFACTURING PROCESS COMPATIBILITY:
-THE HOUSING WILL WITHSTAND EXPOSURE TO 260°C±5°C SOLDER BATH TEMPERATURE FOR 5 SECONDS IN A REFLOW SOLDER APPLICATION WITH A 1.6mm MIN THICK CIRCUIT BOARD.
6. COMPLANARITY FOR SOLDER TAILS IS 0.10 MAXIMUM.

www.fciconnect.com		surface <input checked="" type="checkbox"/>	tolerance std ASME Y14.5	projection <input checked="" type="checkbox"/>	MM
TOLERANCES UNLESS OTHERWISE SPECIFIED					
Dr	KENNY TAI	04-08-2005	ANGULAR	LINEAR	size A4 Scale 1.000
Eng	KENNY TAI	04-08-2005	0°.xx	±0.30	ECN T07-0001
Chr	KENNY TAI	04-08-2005	0° ±2"	0.xxx ±	
Appr	PAUL WANG	04-08-2005	Product family		Spec ref
FCI		BELOW MOUNT, 0 STAND-OFF		orig no	10055262
EXPRESSCARD HOST CONNECTOR		catalog no		CUSTOMER	sheet 2 of 2
		10055262			