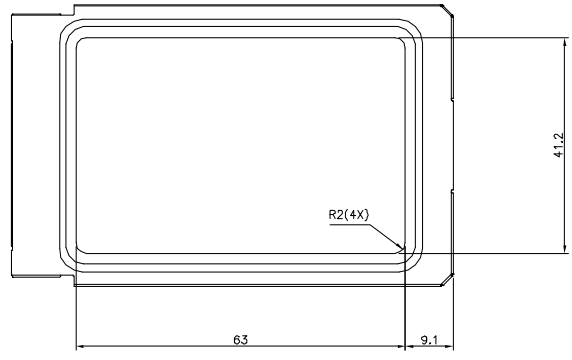
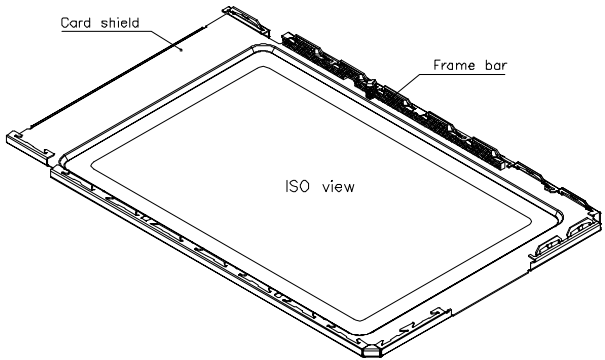
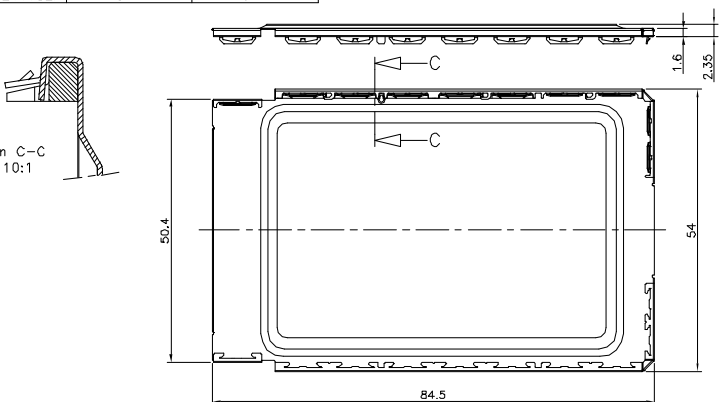
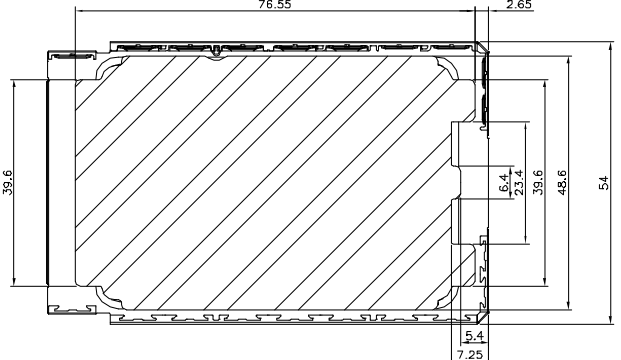


Product number	Insulator	Label recess	Product number	Packaging
83808-2100LF	no	no	83808-xxxxLF	1000 Rocard Shield/Box
83808-2101LF	yes	no	83808-xxxxSLF	200 Rocard Shield/Box
83808-2110LF	no	yes		
83808-2111LF	yes	yes		

Section C-C
Scale 10:1



Version: Label recess
(maximum label thickness 0.07 mm)



Version: Insulator
(thickness 0.07 mm)

MatL code	surface	tolerance	projection	product family
litr	ecm	no	dr	date
A	H80049	00A	98.02.12	
B	F80195	00A	98.04.08	
C	F90323	00E	99.05.04	
D	F10514	00E	01.09.07	dr
E	F05-0254	00E	02.09.26	enat
F	F05-0158	00E	06.02.27	fin
G	F05-0248	00E	04.07.28	rippe
sheet	revision			
index	sheet			

title
ROCARD SHIELD
TYPE II, 1x1/0

scale 2:1

mm

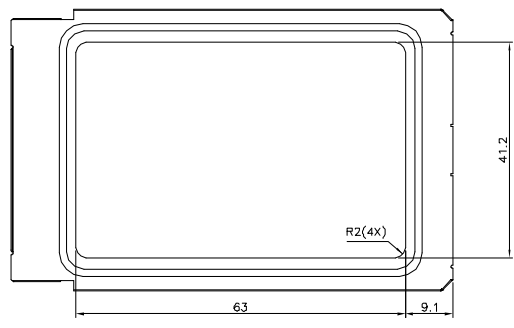
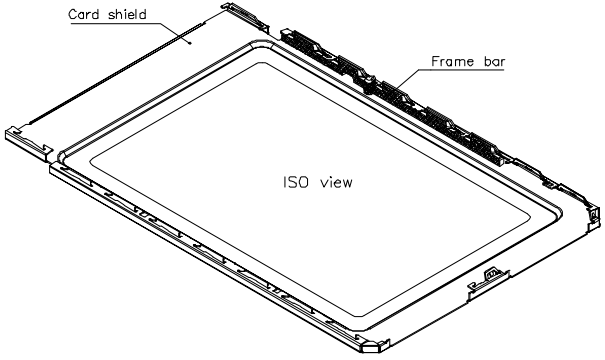
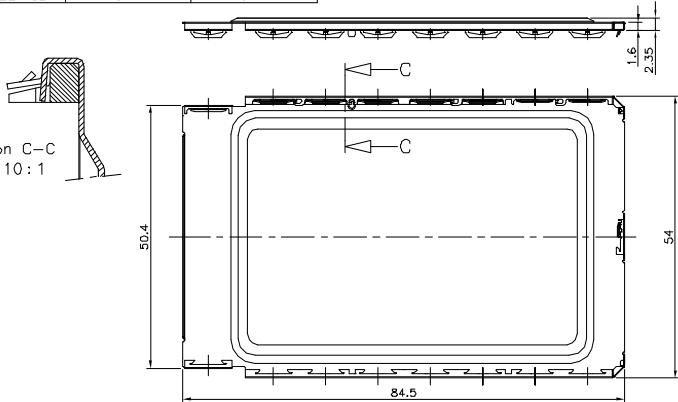
product family
PCMCIA

dwg no
83808

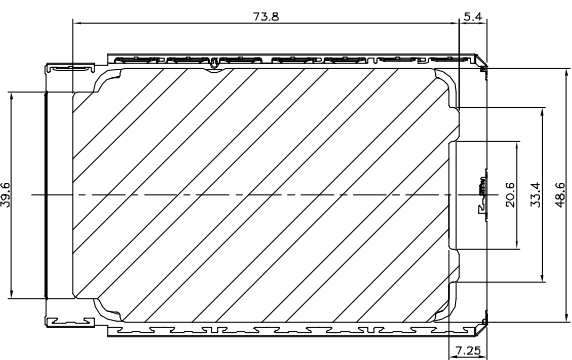
sheet 2 of - size
Az

type
CUSTOMER Drawing

Product number	Insulator	Label recess	Product number	Packaging
83808-22000LF	no	no	83808-xxxxLF	1000 Rocard Shield/Box
83808-22010LF	yes	no	83808-xxxxSLF	200 Rocard Shield/Box
83808-22100LF	no	yes		
83808-22110LF	yes	yes		



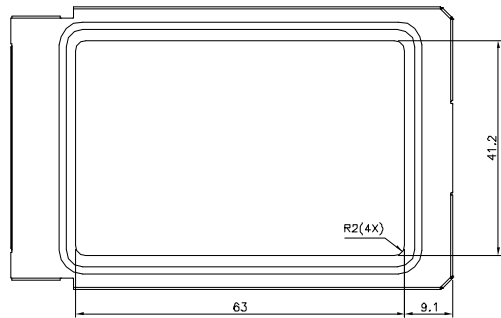
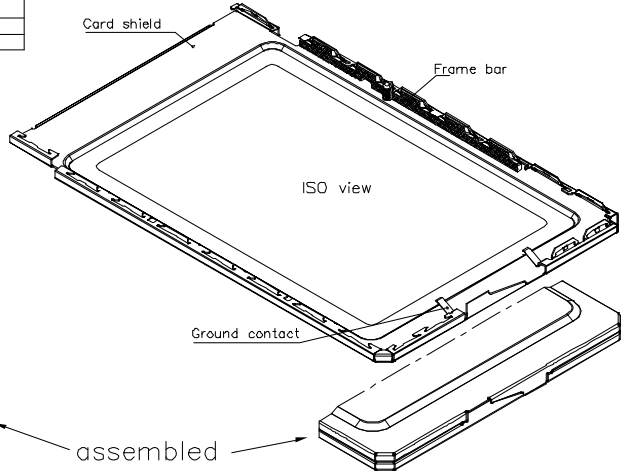
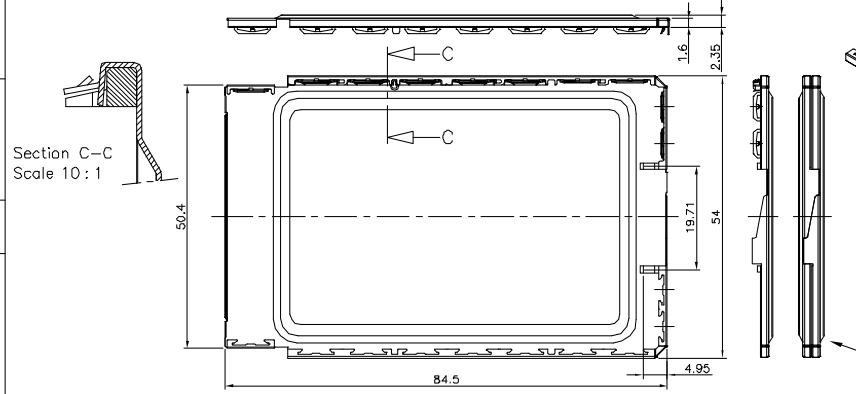
Version: Label recess
(maximum label thickness 0.07 mm)



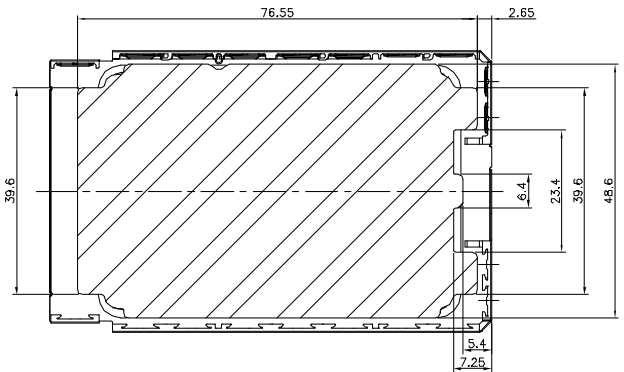
Version: Insulator
(thickness 0.07 mm)

MatL code	surface	tolerance	projection	product family
litr	iso 1802	iso 446	iso 10	PCMCIA
ecm no	date	tolerance unless otherwise specified	mm	ROCARD SHIELD
A	08.02.12	Linear	scale 2:1	TYPE II, 2xl/0
B	08.04.08			dwg no 83808
C	09.05.04			sheet 3 of - size Az
D	01.09.07	H VEREUKEN	06.02.12	type CUSTOMER Drawing
E	05.09.26	F. HAUTER	09.05.04	
F	06.02.27	D. LESIRANO	09.05.04	
G	04.07.28	F. HAUTER	09.05.04	
sheet	revision			
index	sheet			

Product number	Insulator	Label recess	Product number	Packaging
83808-20000LF	no	no	83808-xxxxxLF	1000 Rocard Shield/Box
83808-20010LF	yes	no	83808-xxxxxSLF	200 Rocard Shield/Box
83808-20100LF	no	yes		
83808-20110LF	yes	yes		



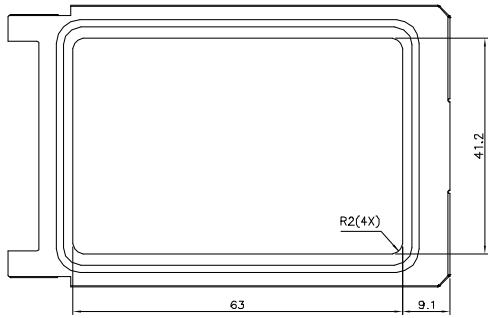
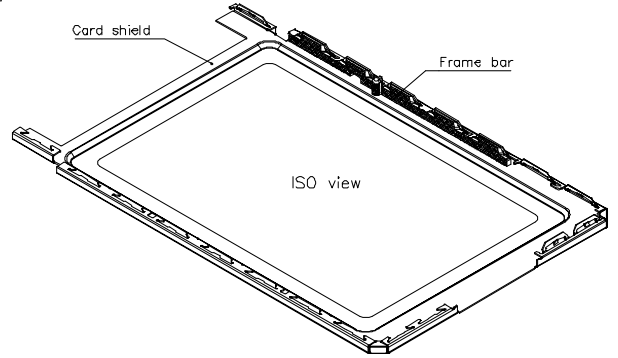
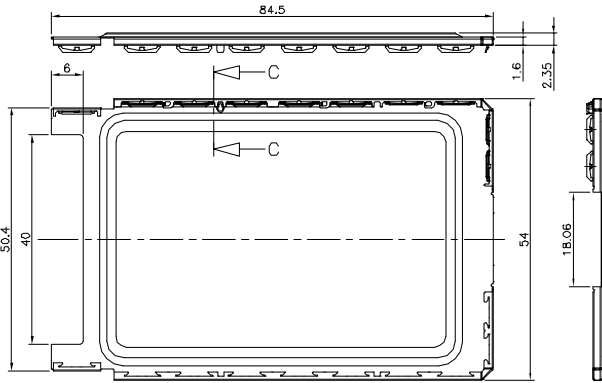
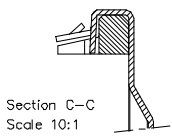
Version: Label recess
(maximum label thickness 0.07 mm)



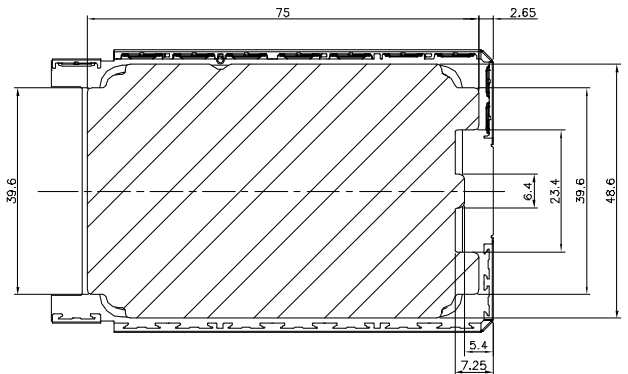
Version: Insulator
(thickness 0.07 mm)

MatL code	surface	tolerance	projection	product family																							
ltr	ecm	no	dr	date	ISO 1802	ISO 46	ISO 80	ISO 100	ISO 150	ISO 200	ISO 250	ISO 300	ISO 350	ISO 400	ISO 450	ISO 500	ISO 550	ISO 600	ISO 650	ISO 700	ISO 750	ISO 800	ISO 850	ISO 900	ISO 950	ISO 1000	
A	H80040	CCA	98.02.12	Linear																							
B	F80190	CCA	98.04.08	Linear																							
C	F80320	DLE	99.05.04	Linear																							
D	F10514	DLE	01.09.07	dr																							
E	F05-0254	DLE	02.09.26	EMAT																							
F	F05-0158	DLE	06.02.27	EMAT																							
G	F05-0248	DLE	04.07.28	EMAT																							

Product number	Insulator	Label recess	Product number	Packaging
83808-21001LF	no	no	83808-xxxxLF	1000 Rocard Shield/Box
83808-21011LF	yes	no	83808-xxxxSLF	200 Rocard Shield/Box
83808-21101LF	no	yes		
83808-21111LF	yes	yes		



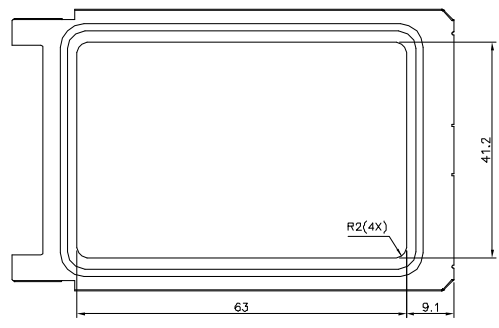
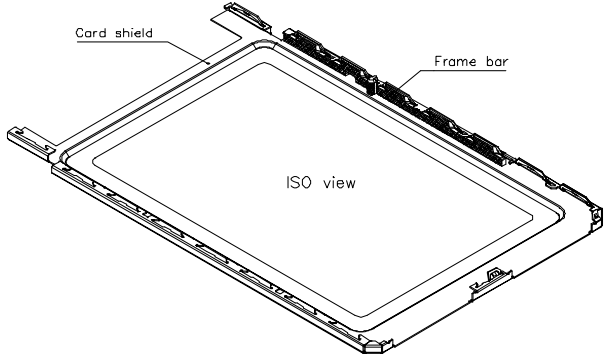
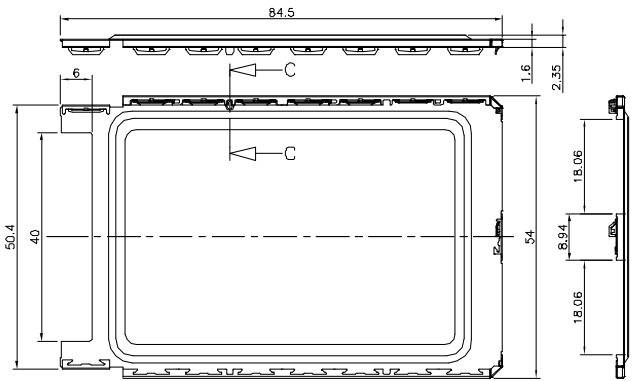
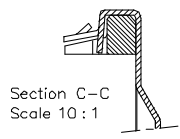
Version: Label recess
(maximum label thickness 0.07 mm)



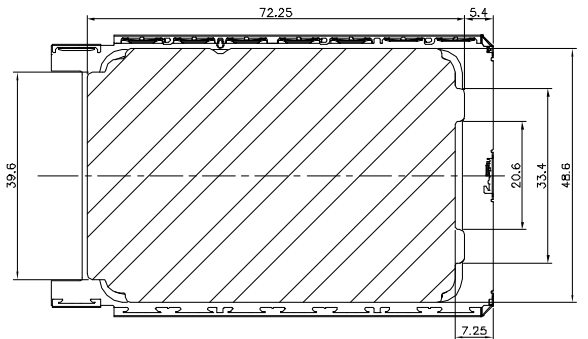
Version: Insulator
(thickness 0.07 mm)

MatL code	surface	tolerance	projection	product family
ltr	ecm	no	dr	date
A	H80049	CCA	98.02.12	
B	F80195	CCA	98.04.08	
C	F80323	DLE	99.05.04	
D	F10514	DLE	01.09.07	dr
E	F05-0254	DLE	02.09.26	enat
F	F05-0158	DLE	06.02.27	kn
G	F05-0248	DLE	04.07.28	rippe
sheet	revision			
index	sheet			

Product number	Insulator	Label recess	Product number	Packaging
83808-22001LF	no	no	83808-xxxxLF	1000 Rocard Shield/Box
83808-22011LF	yes	no	83808-xxxxSLF	200 Rocard Shield/Box
83808-22101LF	no	yes		
83808-22111LF	yes	yes		



Version: Label recess
(maximum label thickness 0.07 mm)



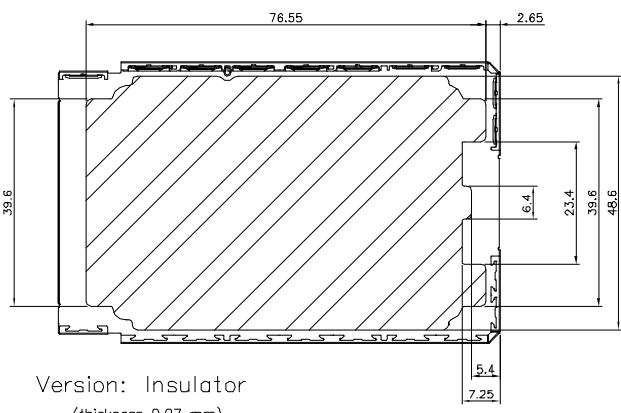
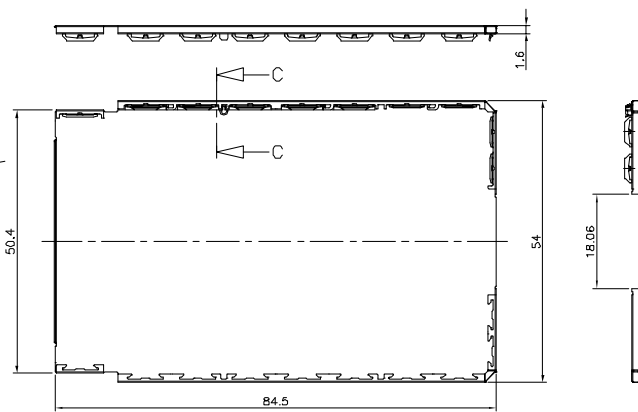
Version: Insulator
(thickness 0.07 mm)

MatL code	surface	tolerance	projection	product family
litr	no	iso 1802	mm	PCMCIA
no	date	tolerance unless otherwise specified	mm	
A	H80049	00A	98.02.12	
B	F80190	00A	98.04.08	
C	F80323	00A	99.05.04	
D	F10514	00A	01.09.07	
E	F05-0254	00A	09.09.26	
F	F05-0158	00A	09.02.27	
G	F05-0248	00A	09.02.27	
sheet	revision	date	author	
index	sheet			

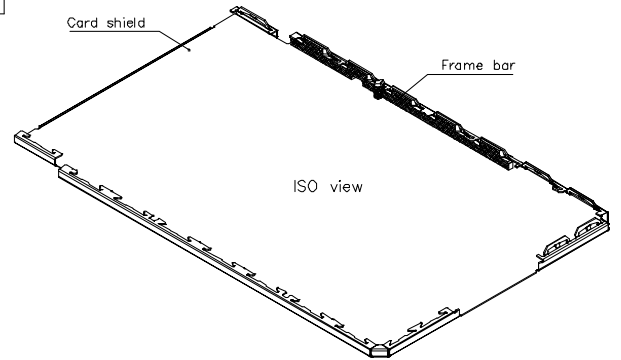
ROCARD SHIELD
TYPE II,2xI/O,CARDBUS
83808
sheet 6 of - size
Az
type CUSTOMER Drawing

Product number	Insulator	Product number	Packaging
83808-11000LF	no	83808-xxxxLF	1000 Rocard Shield/Box
83808-11010LF	yes	83808-xxxxSLF	200 Rocard Shield/Box

Section C-C
Scale 10:1



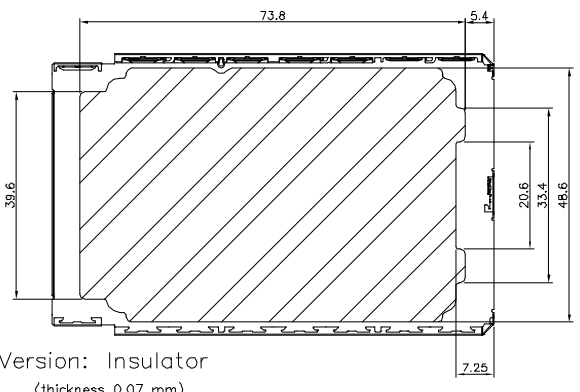
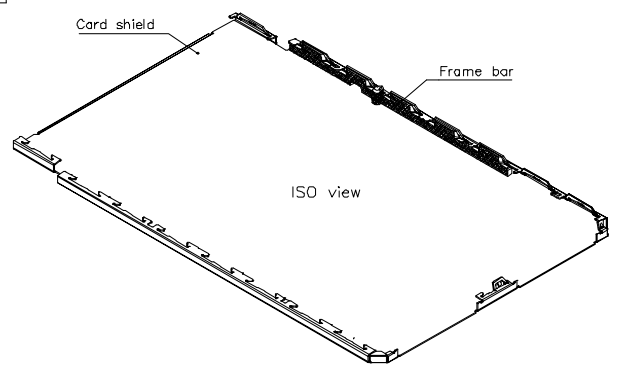
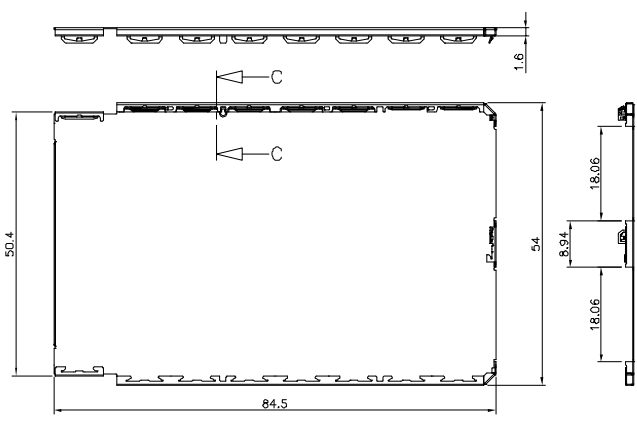
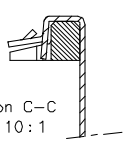
Version: Insulator
(thickness 0.07 mm)



MatL code	surface	tolerance	projection	product family
ISO 1802	ISO 46	ISO 10	1st angle	PCMCIA
tr	ecm	no	dr	date
A	F80195	OCA	88.04.08	
B	F90203	DLE	99.08.04	
C	F10914	DLE	01.09.07	
D	F05-024	DLE	05.09.26	dr
E	F08-0136	DLE	06.02.27	enat
F	F08-0248	DLE	06.07.28	enr
sheet	revision	index	sheet	

title	ROCARD SHIELD
TYPE 1, 1x1/0	
dwg no	83808
sheet 7 of - size	Az
type	CUSTOMER Drawing

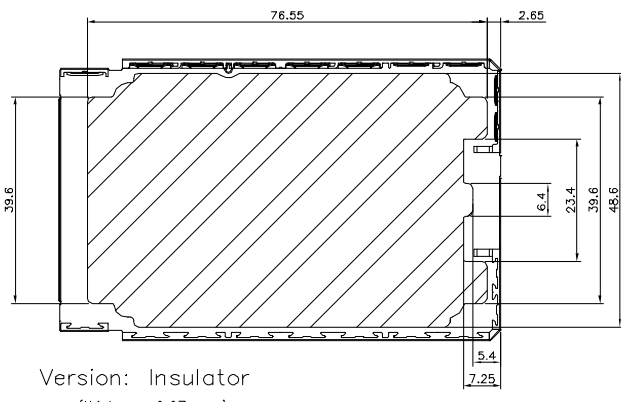
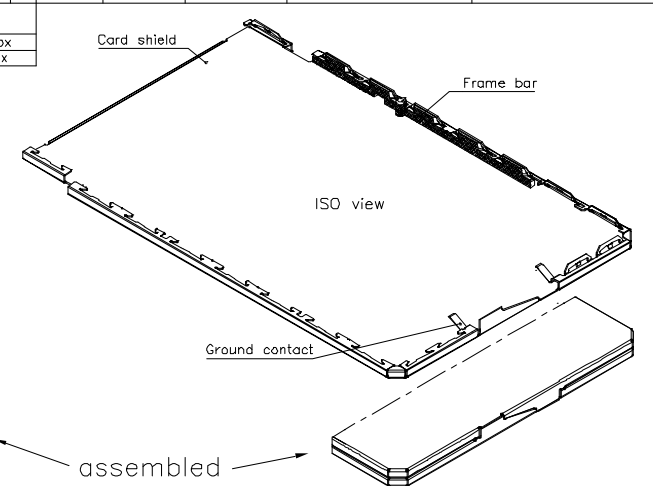
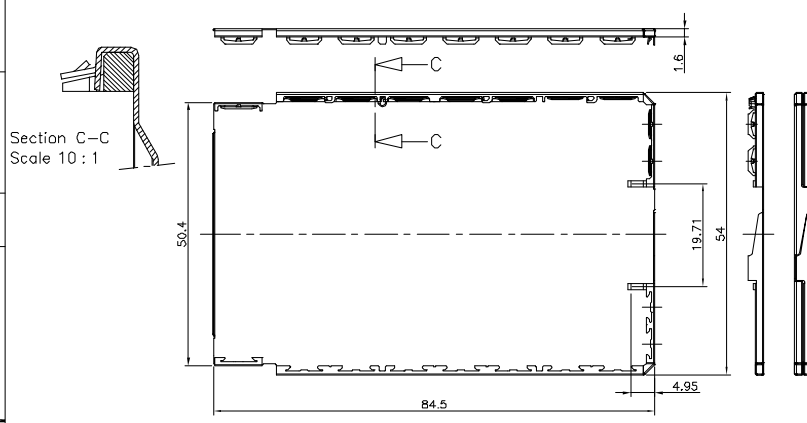
Product number	Insulator	Product number	Packaging
83808-12000LF	no	83808-xxxxLF	1000 Rocard Shield/Box
83808-12010LF	yes	83808-xxxxLFS	200 Rocard Shield/Box



Version: Insulator
(thickness 0.07 mm)

MatL code	surface	tolerance	projection	product family
litr	iso 1802	iso 446	1st angle	PCMCIA
ecm no	date	tolerance unless otherwise specified	mm	scale 2:1
A F80195	06.04.08			
B F90233	09.28.04	Linear		
C F10914	01.09.07			
D F05-024	06.09.26	dr	H VEREUKEN	06.02.12
E F08-0136	06.02.27	enat	F HAUTER	09.05.04
F F08-0248	06.07.28	enr	D LEBRAND	09.05.04
		rippe	F HAUTER	09.05.04
sheet index	revision sheet			

Product number	Insulator	Product number	Packaging
83808-1000LF	no	83808-xxxxLF	1000 Rocard Shield/Box
83808-10010LF	yes	83808-xxxxSLF	200 Rocard Shield/Box



Version: Insulator
(thickness 0.07 mm)

MatL code	surface	tolerance	projection	product family					
ltr	ecm	no	dr	date	ISO 1802	ISO 46	ISO 10	ISO 10	ISO 10
A	F80195	OCA	98.04.08						
B	F90233	DLE	99.08.04	Linear					
C	F10914	DLE	01.09.07						
D	F05-024	DLE	06.09.26	dr	H VEREUKEN	06.02.12			
E	F08-0136	DLE	06.02.27	enat	F. HAUTER	99.05.04			
F	F08-0248	DLE	06.07.28	enr	D. LESIRANO	99.05.04			
				rippe	F. HAUTER	99.05.04			
sheet	revision	sheet	index						

product family: PCMCIA
 title: ROCARD SHIELD
 TYPE I, CLOSED END
 scale: 2:1
 dwg no: 83808
 sheet 9 of - size: Az
 type: CUSTOMER Drawing

